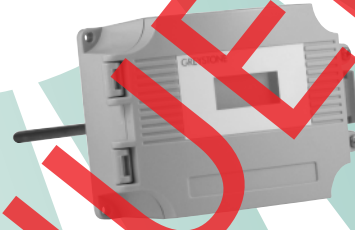




RIGID DUCT AVERAGE TEMPERATURE TRANSMITTER w/ LCD TE511/512DR Series

The TE511/512DR multi-point rigid duct average temperature transmitter incorporates four precision platinum RTD's encapsulated in a 6.35 mm (0.25") OD, 304 stainless steel probe and is available in various lengths (see ordering chart) All probes provide excellent heat transfer, fast response and resist moisture penetration. A transmitter that provides a high accuracy signal with excellent long term stability, low hysteresis and fast response is available with various ranges. (See ordering chart) A LCD is provided in either °C (511) or °F (512).



SPECIFICATION:

Sensor..... 1000 ohm Platinum RTD
 Sensor Accuracy..... $\pm 0.3^{\circ}\text{C}$ ($\pm 0.54^{\circ}\text{F}$) @ 0°C (32°F)
 Probe Sensing Range..... -20 to 60°C (-4 to 140°F)
 Wire Material..... FT6 Plenum rated
 Probe Material..... 304 Series Stainless Steel
 Probe Dimension..... 6.35 mm (0.25") Diameter
 Output Signal..... 4-20mA current loop, 0-5 vdc, or 0-10 Vdc (factory configured)
 Transmitter Accuracy..... $\pm 0.1\%$ of span, including linearity
 Power Supply..... **4-20 mA:** 15-35 Vdc or 22-32 Vac
0-5 Vdc: 10-35 Vdc or 10-32 Vac
0-10 Vdc: 15-35 Vdc or 15-32 Vac
 Consumption..... **Current:** 22.5 mA Max (On open sensor)
Voltage: 5 mA nominal
 Input Voltage Effect..... Negligible over specified operating range
 RFI rejection..... Good RFI rejection of normal frequencies
 Protection Circuitry..... Reverse voltage protected and output limited
 Display Units..... $^{\circ}\text{C}$ (511 Series) or $^{\circ}\text{F}$ (512 Series)
 Display Range..... 3 digit for -88.8 to 888 as necessary
 Display Size..... 24 mm x 11 mm (0.95" x 0.45")
 Ambient Operating Range..... 0 - 70°C (32 - 158°F), 0 - 95% RH non-condensing
 Enclosure..... ABS, UL94-5VB, IP65 (NEMA 4X)
 *In order to maintain the published NEMA/IP ratings, properly rated conduit or cable gland adapters must be used.
 Wiring Connections..... Screw terminal block (14 to 22 AWG)

PART NUMBER SELECTED

PRODUCT SELECTION INFORMATION:

MODEL	Product Description
TE511DR	Rigid Duct Average Temperature Transmitter c/w LCD display $^{\circ}\text{C}$
TE512DR	Rigid Duct Average Temperature Transmitter c/w LCD display $^{\circ}\text{F}$

CODE	Probe Length
K2	450 mm (18")
L2	600 mm (24")
M2	900 mm (36")

CODE	Output
A	Current 4-20mA
D	Voltage 0-5 Vdc
E	Voltage 0-10 Vdc

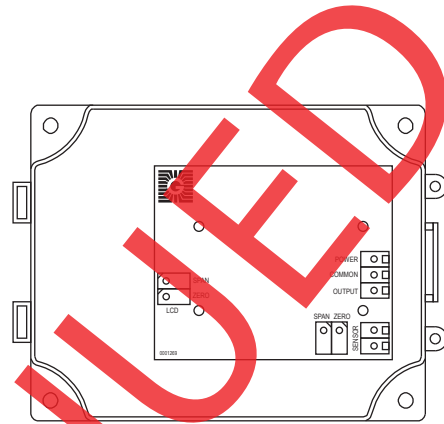
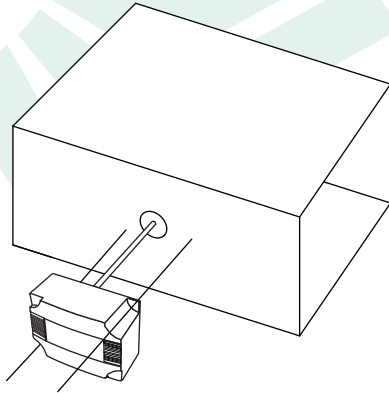
CODE	Scaled Range
1	0 - 35°C (32 - 95°F)
2	0 - 50°C (32 - 122°F)
*	Custom ranges available Contact Greystone

TYPICAL INSTALLATION:

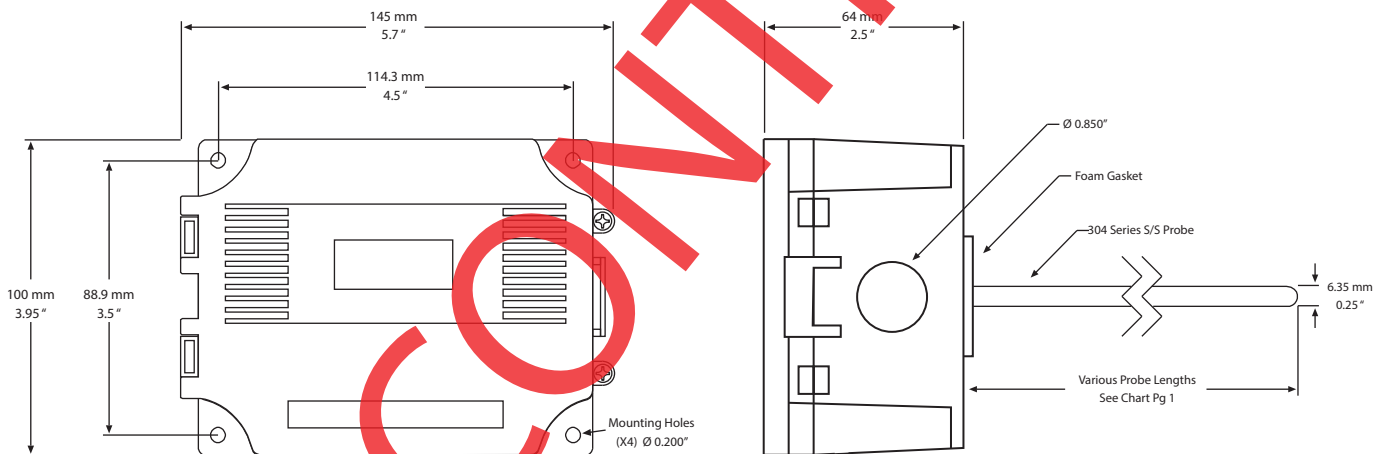
For complete installation and wiring details, please refer to the product installation instructions.

The rigid duct average type probes are installed through a hole in the side of the duct to monitor and provide an average temperature within the duct. Select a probe length that allows the probe to span the width of the duct. Install the probe in a straight section of duct at a suitable distance downstream from any heating, cooling or humidification devices.

Each enclosure style provides mounting tabs or holes for ease of installation.



DIMENSIONS:



Greystone Energy Systems, Inc. reserves the right to make design modifications without prior notice.



GREYSTONE
ENERGY SYSTEMS INC

Greystone Energy Systems, Inc.
150 English Drive, Moncton,
New Brunswick, Canada E1E 4G7
(506) 853-3057 Fax: (506) 853-6014
North America: 1-800-561-5611
e-mail: mail@greystoneenergy.com
www.greystoneenergy.com

RoHS
COMPLIANT



Greystone Energy Systems Inc. is one of North America's largest ISO registered manufacturers of HVAC/R sensors and transducers for Building Automation Management Systems. We have conscientiously established a worldwide reputation as an industry leader by maintaining leading-edge design technology, prompt technical support, and a commitment to on-time deliveries. We take pride in our Quality Management System which is ISO 9001 certified, assuring our customers of consistent product reliability.

GREYSTONE HAS AN **ISO 9001** REGISTERED QUALITY SYSTEM