



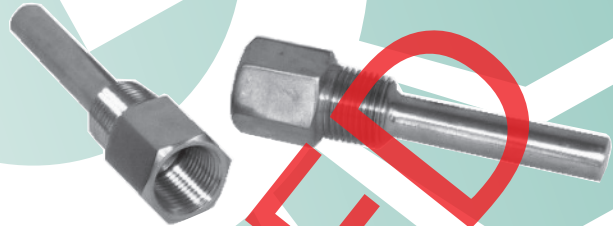
# GREYSTONE ENERGY SYSTEMS INC

## THERMOWELLS T1 Series

The T1 series thermowell are available in 304 series and 316 series stainless steel. They are available in a wide range of lengths. Custom lengths and materials are also available.

### SPECIFICATION:

Material	<b>P</b> - 304 Series stainless steel <b>R</b> - 316 Series stainless steel
Length	2", 4", 6", 8", 12" & 18" Standard Custom lengths available
Thread size	External - 1/2" NPT Internal - 1/2" NPSM
Construction	2"-18" - Machined Construction 12" up - S/S Welded Construction optional (for use with inert fluids only)



### PART NUMBER SELECTED

### PRODUCT SELECTION INFORMATION:

MODEL	Product Description
T1	Thermowell Series

CODE	External Thread Size
1/2	1/2" NPT

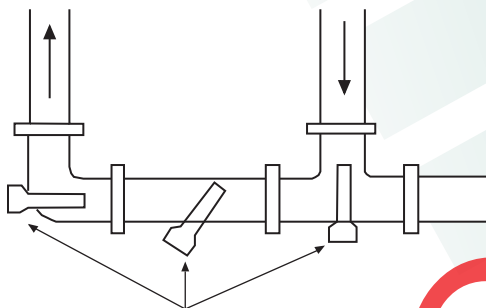
CODE	Material
P	304 Series Stainless Steel
R	316 Series Stainless Steel

CODE	Length
2	2" (50 mm)
4	4" (100 mm)
6	6" (150 mm)
8	8" (200 mm)
12	12" (300 mm)
18	18" (450 mm)

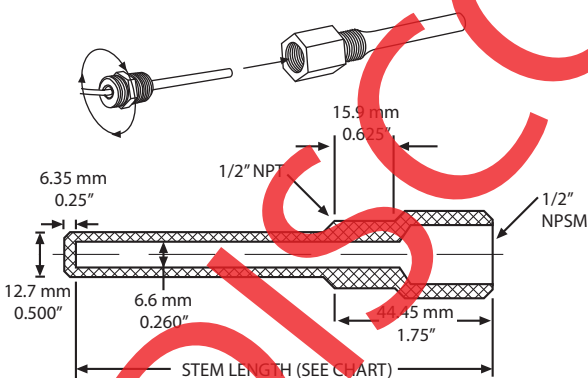
CODE	Options
W	Welded Construction (12" up only)

Greystone Energy Systems, Inc. reserves the right to make design modifications without prior notice. Also available in additional materials and stem lengths. Please contact Greystone.

### TYPICAL INSTALLATION:

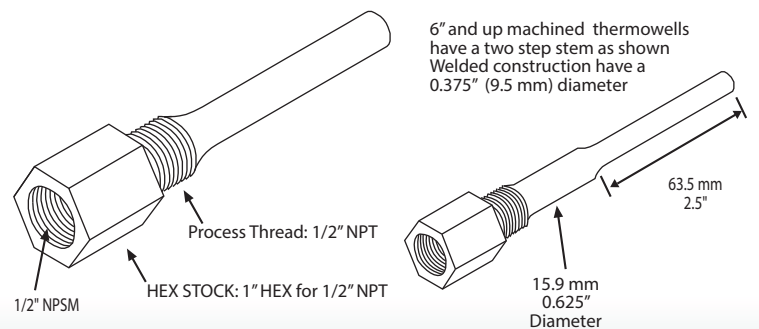


Thermowell placement in pipe



### NOTE:

6" and up machined thermowells have a two step stem as shown  
Welded construction have a 0.375" (9.5 mm) diameter



# GREYSTONE ENERGY SYSTEMS INC

Greystone Energy Systems, Inc.  
150 English Drive, Moncton,  
New Brunswick, Canada E1E 4G7  
(506) 853-3057 Fax: (506) 853-6014  
North America: 1-800-561-5611  
e-mail: mail@greystoneenergy.com  
www.greystoneenergy.com

RoHS COMPLIANT

