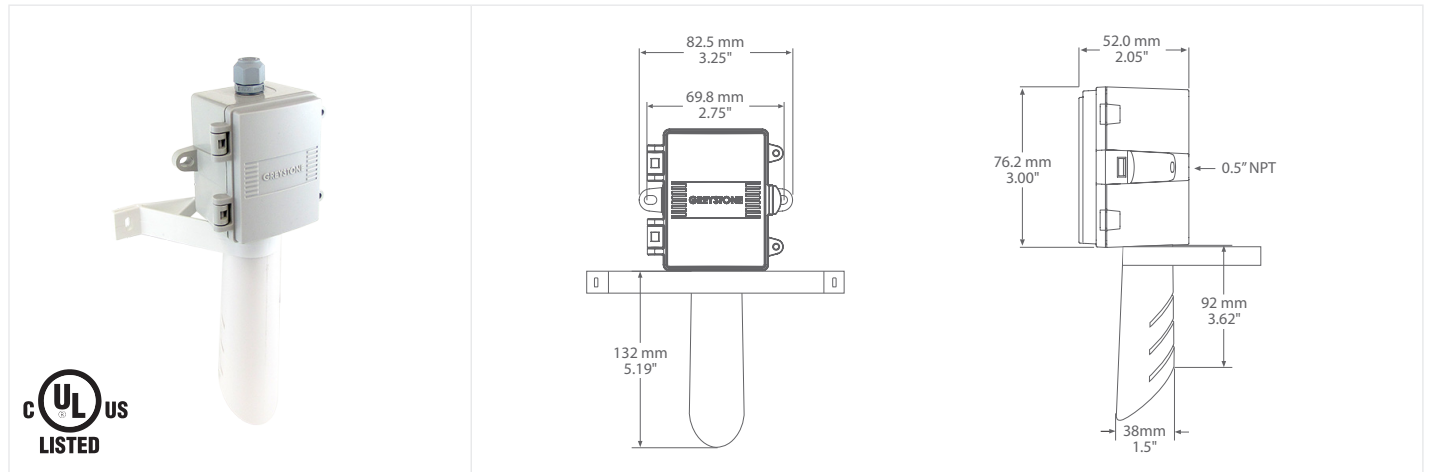


OUTSIDE TEMPERATURE SENSOR



TSOB SERIES

PRODUCT DESCRIPTION

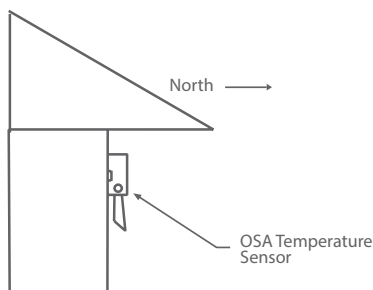
The single point outside air temperature sensor utilizes a precision sensor. All probes are constructed to provide excellent heat transfer, fast response and are potted to resist moisture penetration. A sun and wind shield is integrated into a weatherproof compact Polycarbonate enclosure with a hinged and gasketed cover for ease of installation.

TYPICAL INSTALLATION

For complete installation and wiring details, please refer to the product installation instructions.

The TSOB should be mounted on an outside north facing wall, under the eaves to provide protection from direct sunlight.

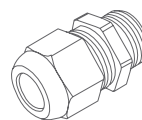
The TSOB can be mounted directly to the building's wall face using the provided mounting holes. A 0.85" hole for conduit connection or cable gland fitting is provided.



SPECIFICATIONS

SENSOR TYPE	Thermistor or RTD (see ordering chart)
SENSOR ACCURACY	Thermistors: $\pm 0.2^{\circ}\text{C}$ ($\pm 0.36^{\circ}\text{F}$) @ 25°C (77°F) Platinum RTD's: $\pm 0.3^{\circ}\text{C}$ ($\pm 0.54^{\circ}\text{F}$) @ 0°C (32°F) Nickel RTD's: $\pm 0.4^{\circ}\text{C}$ ($\pm 0.72^{\circ}\text{F}$) @ 0°C (32°F)
PROBE SENSING RANGE	-40 to 60°C (-40 to 140°F)
AMBIENT OPERATING RANGE	-40 to 60°C (-40 to 140°F), 5 to 95 %RH non-condensing
WIRE MATERIAL	PVC insulated, parallel bonded, 22 AWG
ENCLOSURE	A: Polycarbonate, UL94-V0, IP65 (NEMA 4X) C: Same as A, includes terminal block E: Same as C, with cable gland fitting
TERMINATION	A: Pigtail, 2 or 3 wire C & E: Terminal block, 2 or 3 wire
PROTECTION CLASS	III
POWER SOURCE UL	SELV, Limited Energy (<15W)
EU CONFORMITY	CE
CERTIFICATION	UL 60730 & CSA E60730
PURPOSE OF CONTROL	Temperature Sensor
ENCLOSURE	UL Enclosure Type 3R
TYPE OF ACTION	Type 1
IMPULSE VOLTAGE	330V
POLLUTION DEGREE	4
COUNTRY OF ORIGIN	Canada

ACCESSORY - INCLUDED WITH E ENCLOSURE OPTION



CABLE GLAND FITTING



ORDERING		PART NUMBER
PRODUCT	TSOB	Outside Temperature Sensor
ENCLOSURE	A	Polycarbonate, with hinged and gasketed cover
	C	Same as A, with terminal block
	E	Same as C, with cable gland fitting
SENSOR	02X	100 Ω Platinum, IEC 751, 385 Alpha, thin film
	05X	1801 Ω NTC Thermistor, ±0.2°C
	06X	3000 Ω NTC Thermistor, ±0.2°C
	07X	10,000 Ω Type 3, NTC Thermistor, ±0.2°C
	08X	2.252K Ω NTC Thermistor, ±0.2°C
	12X	1000 Ω Platinum, IEC 751, 385 Alpha, thin film
	13X	1000 Ω Nickel, Class B, DIN 43760
	14X	10,000 Ω Type 3, NTC Thermistor, ±0.2°C c/w 11K shunt resistor
	20X	20,000 Ω NTC Thermistor, ±0.2°C
	24X	10,000 Ω Type 2, NTC Thermistor, ±0.2°C
	59X	10,000 Ω, 25°C, ±1%, B = 3435 ±1% (25/85)
	TSOB	

NOTE: Greystone Energy Systems, Inc. reserves the right to make design modifications without prior notice.