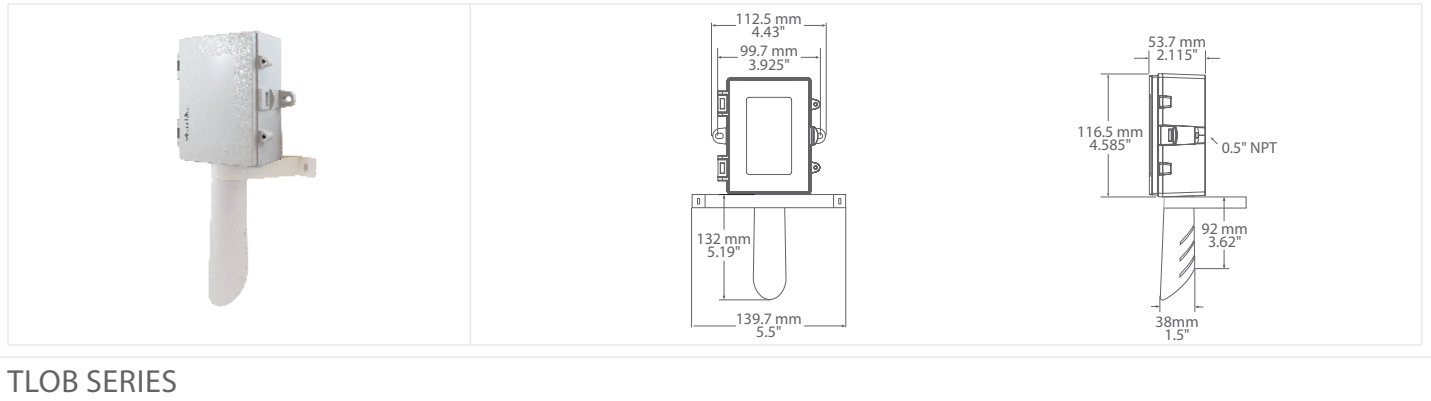




OUTSIDE LOW LIMIT THERMOSTAT



TLOB SERIES

PRODUCT DESCRIPTION

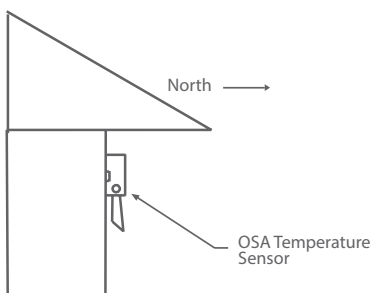
The single point outside air low limit thermostat incorporates a precision thermistor temperature sensor and provides a Form C relay output (NO/NC) with an adjustable setpoint. All probes are constructed to provide excellent heat transfer, fast response and are potted to resist moisture penetration. A sun and windshield is integrated into a hinged and gasketed weatherproof Polycarbonate enclosure is included for ease of installation.

TYPICAL INSTALLATION

For complete installation and wiring details, please refer to the product installation instructions.

The outside temperature transmitter should be mounted on an outside North facing wall, under the eaves which will provide protection from direct sunlight.

The outside temperature sensor can be mounted directly to building's wall face using the provided mounting holes. There is one 0.85" hole for conduit connection.

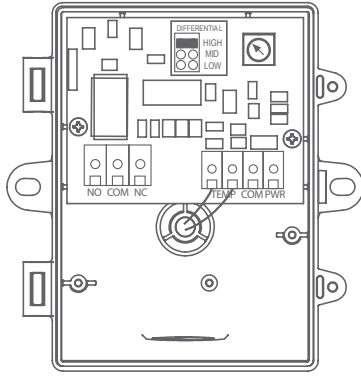


SPECIFICATIONS

POWER SUPPLY	12 to 28 Vac/dc
SENSOR ACCURACY	±0.2°C, 0 to 70°C (±0.36°F, 32 to 158°F)
PROBE SENSING RANGE	-40 to 50°C (-40 to 122°F)
PROBE MATERIAL	Stainless steel
WIRE MATERIAL	PVC insulated, parallel bonded
CONSUMPTION	50 mA max
RELAY CONTACTS	SPDT, Form C contacts (N.O. and N.C.) 5 Amps @ 30 Vdc/250 Vac resistive 1.5 Amps @ 30 Vdc/250 vac inductive
RELAY ACTION	Activates on temperature fall
SETPOINT OPERATION	Single-turn knob-pot on PCB
ADJUSTABLE SETPOINT	-4 to 10°C (25 to 50°C)
TEMPERATURE DIFFERENTIAL	Low: 1.1°C (2°F) Mid: 2.8°C (5°F) High: 5.6°C (10°F) Jumper selectable
TEMPERATURE SENSOR	10,000Ω curve matched precision thermistor
AMBIENT OPERATING RANGE	-40 to 50°C (-40 to 122°F), 5 to 95 %RH, non-condensing
STORAGE CONDITIONS	-30 to 70°C (-22 to 158°F), 5 to 95 %RH, non-condensing
WIRING CONNECTIONS	Screw terminal block (14 to 22 AWG)
ENCLOSURE	Grey polycarbonate UL94-V0, IP65 (NEMA 4X)
COUNTRY OF ORIGIN	Canada



WIRING INFORMATION



TERMINAL	FUNCTION
PWR	Power Supply
COM	Power Supply Common
TEMP (2)	Temperature Sensor Input
NO	Relay Output - Normally Open Contact
COM	Relay Common
NC	Relay Output - Normally Closed Contact

ORDERING

PRODUCT	TLOB	Outside Low Limit Thermostat with Sun and Windshield
ENCLOSURE	B	Polycarbonate, with hinged and gasketed cover
SENSOR	24X	10,000Ω, Type 2, NTC Thermistor, ±0.2°C
ADJUSTABLE SETPOINT RANGE	01	-4 to 10°C (25 to 50°F)

PART NUMBER

TLOB

NOTE: Greystone Energy Systems, Inc. reserves the right to make design modifications without prior notice.