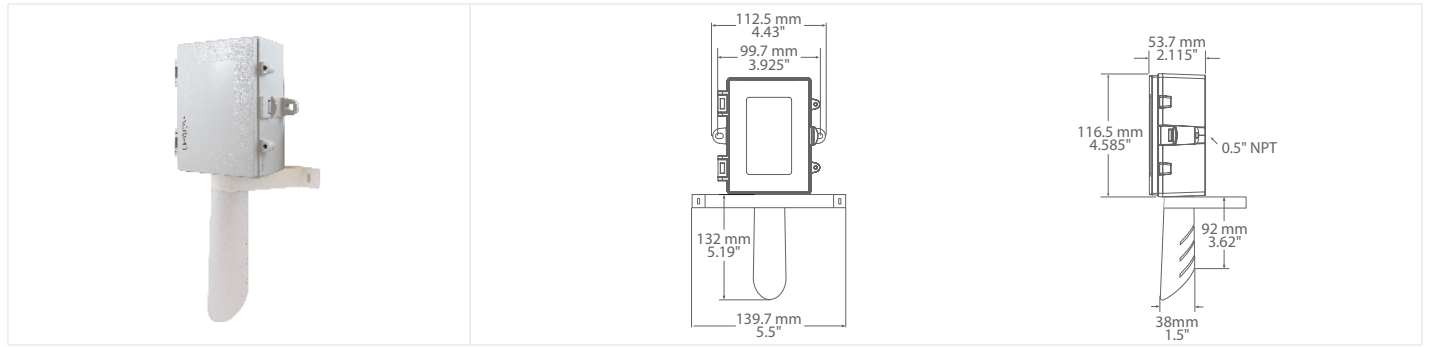




OUTSIDE HIGH LIMIT THERMOSTAT



THOB SERIES

PRODUCT DESCRIPTION

The single point outside air high limit thermostat incorporates a precision thermistor temperature sensor and provides a Form C relay output (NO/NC) with an adjustable setpoint. All probes are constructed to provide excellent heat transfer, fast response and are potted to resist moisture penetration. A sun and windshield is integrated into a hinged and gasketed weatherproof Polycarbonate enclosure is provided for ease of installation.

TYPICAL INSTALLATION

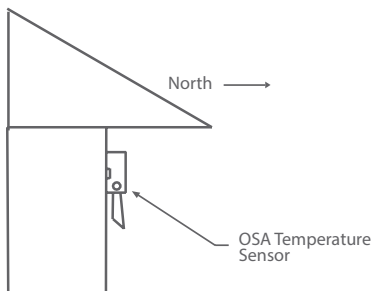
For complete installation and wiring details, please refer to the product installation instructions.

The outside temperature transmitter should be mounted on an outside North facing wall, under the eaves which will provide protection from direct sunlight.

The outside temperature sensor can be mounted directly to the building's wall face using the provided mounting holes. There is one 0.85" hole for conduit connection.

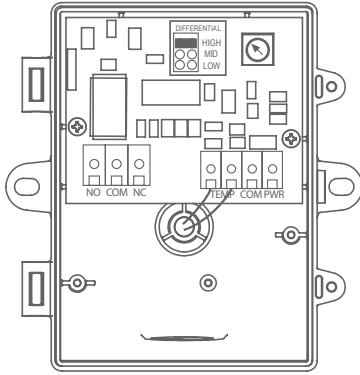
SPECIFICATIONS

POWER SUPPLY	12 to 28 Vac/dc
SENSOR ACCURACY	±0.2°C, 0 to 70°C (±0.36°F, 32 to 158°F)
PROBE SENSING RANGE	-10 to 50°C (14 to 122°F)
PROBE MATERIAL	Stainless steel
WIRE MATERIAL	PVC insulated, parallel bonded
CONSUMPTION	50 mA max
RELAY CONTACTS	SPDT, Form C contacts (N.O. and N.C.) 5 Amps @ 30 Vdc/250 Vac resistive 1.5 Amps @ 30 Vdc/250 vac inductive
RELAY ACTION	Activates on temperature rise
SETPOINT OPERATION	Single-turn knob-pot on PCB
ADJUSTABLE SETPOINT	38 to 60°C (100 to 140°C)
TEMPERATURE DIFFERENTIAL	Low: 1.1°C (2°F) Mid: 2.8°C (5°F) High: 5.6°C (10°F) Jumper selectable
TEMPERATURE SENSOR	10,000Ω curve matched precision thermistor
OPERATING CONDITIONS	-10 to 50°C (14 to 122°F), 5 to 95 %RH, non-condensing
STORAGE CONDITIONS	-30 to 70°C (-22 to 158°F), 5 to 95 %RH, non-condensing
WIRING CONNECTIONS	Screw terminal block (14 to 22 AWG)
ENCLOSURE	Grey polycarbonate UL94-V0, IP65 (NEMA 4X)
COUNTRY OF ORIGIN	Canada





WIRING INFORMATION



TERMINAL	FUNCTION
PWR	Power Supply
COM	Power Supply Common
TEMP (2)	Temperature Sensor Input
NO	Relay Output - Normally Open Contact
COM	Relay Common
NC	Relay Output - Normally Closed Contact

ORDERING

PRODUCT	THOB	Outside Air High Limit thermostat with sun and windshield
ENCLOSURE	B	Polycarbonate, with hinged and gasketed cover
SENSOR	24X	10,000Ω, Type 2, NTC Thermistor, ±0.2°C
ADJUSTABLE SETPOINT RANGE	02	38 to 60°C (100 to 140°F)

PART NUMBER

THOB

NOTE: Greystone Energy Systems, Inc. reserves the right to make design modifications without prior notice.