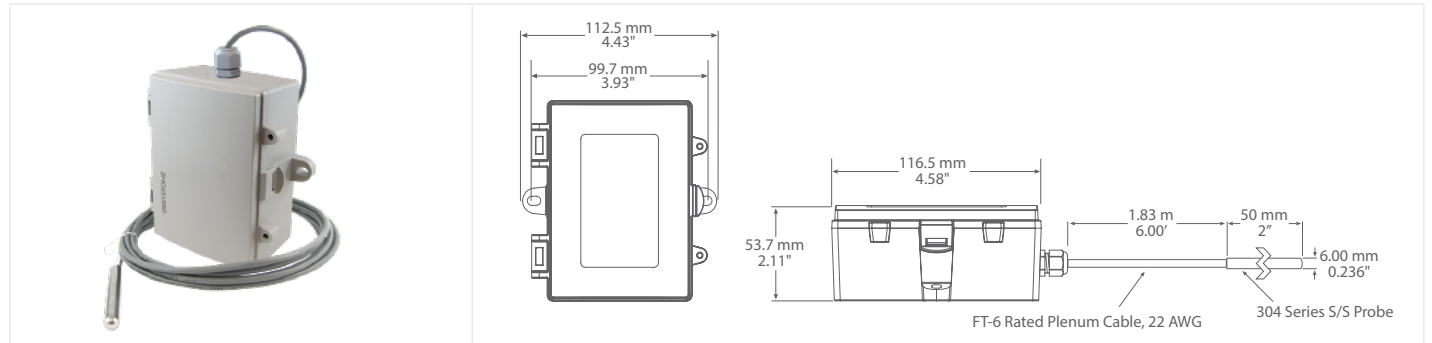




FLYING LEAD HIGH LIMIT THERMOSTAT



THFL SERIES

PRODUCT DESCRIPTION

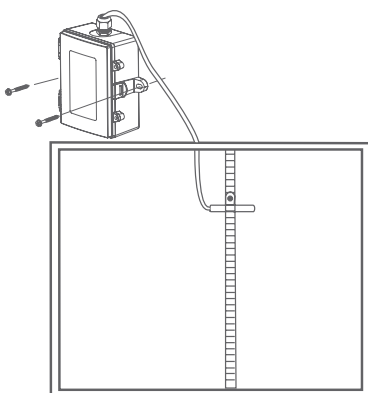
The single point flying lead temperature thermostat incorporates a precision thermistor temperature sensor and provides a Form C relay output (NO/NC) with an adjustable setpoint. The sensor is encapsulated in a 6 mm (0.236") OD X 50 mm (2"), 304 series stainless steel probe. Standard wire length is 3.05m (10'). All probes are constructed to provide excellent heat transfer, fast response and are potted to resist moisture penetration. A hinged and gasketed Polycarbonate enclosure is provided for ease of installation.

TYPICAL INSTALLATION

For complete installation and wiring details, please refer to the product installation instructions.

A typical application for the flying lead type probes is to monitor a single point temperature within the duct. Install the probe in a straight section of duct at a suitable distance downstream from any heating, cooling or humidification devices. Drill a 3/8" hole in the top of the duct and hang the sensor in the airstream.

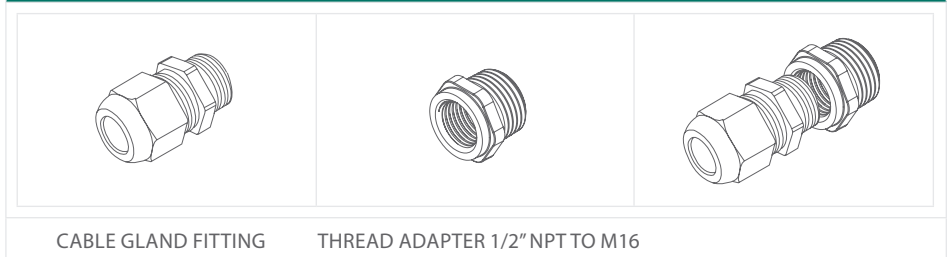
The enclosure provides mounting tabs for ease of installation.



SPECIFICATIONS

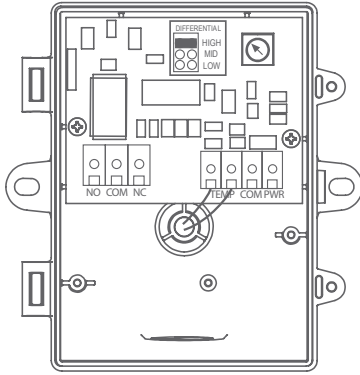
POWER SUPPLY	12 to 28 Vac/dc
SENSOR ACCURACY	±0.2°C, 0 to 70°C (±0.36°F, 32 to 158°F)
PROBE SENSING RANGE	-40 to 60°C (-40 to 140°F)
PROBE MATERIAL	304 series stainless steel
PROBE DIAMETER	6mm (0.236")
WIRE MATERIAL	FT-6 Plenum rated cable
WIRE LENGTH	3.05 m (10')
CONSUMPTION	50 mA max
RELAY CONTACTS	SPDT, Form C contacts (N.O. and N.C.) 5 Amps @ 30 Vdc/250 Vac resistive 1.5 Amps @ 30 Vdc/250 vac inductive
RELAY ACTION	Activates on temperature rise
SETPOINT OPERATION	Single-turn knob-pot on PCB
ADJUSTABLE SETPOINT	38 to 60°C (100 to 140°F)
TEMPERATURE DIFFERENTIAL	Low: 1.1°C (2°F) Mid: 2.8°C (5°F) High: 5.6°C (10°F) Jumper selectable
TEMPERATURE SENSOR	10,000Ω curve matched precision thermistor
OPERATING CONDITIONS	-10 to 50°C (14 to 122°F), 5 to 95 %RH, non-condensing
STORAGE CONDITIONS	-30 to 70°C (-22 to 158°F), 5 to 95 %RH, non-condensing
WIRING CONNECTIONS	Screw terminal block (14 to 22 AWG)
ENCLOSURE	B: Grey polycarbonate UL94-V0, IP65 (NEMA 4X) F: Same as B with thread adapter (1/2" NPT to M16) and cable gland fitting
COUNTRY OF ORIGIN	Canada

ACCESSORIES - INCLUDED WITH F STYLE ENCLOSURE





WIRING INFORMATION



TERMINAL	FUNCTION
PWR	Power Supply
COM	Power Supply Common
TEMP (2)	Temperature Sensor Input
NO	Relay Output - Normally Open Contact
COM	Relay Common
NC	Relay Output - Normally Closed Contact

ORDERING

PRODUCT	THFL	Flying Lead High Limit thermostat
ENCLOSURE	B F	Polycarbonate, with hinged and gasketed cover Same as B, with thread adapter and cable gland fitting
SENSOR	24X	10,000Ω, Type 2, NTC Thermistor, ±0.2°C
ADJUSTABLE SETPOINT RANGE	02	38 to 60°C (100 to 140°F)

PART NUMBER

THFL

NOTE: Greystone Energy Systems, Inc. reserves the right to make design modifications without prior notice.