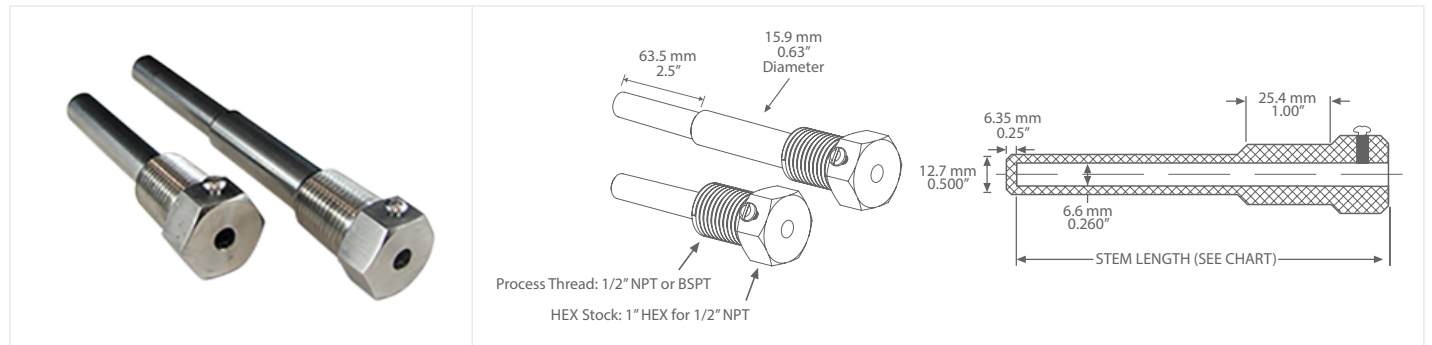




THERMOWELLS



T2 SERIES

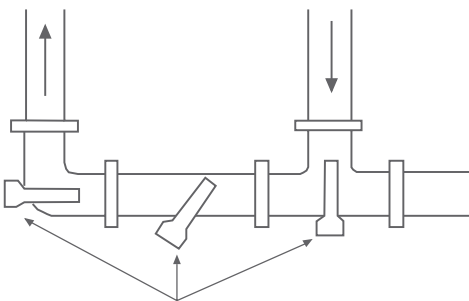
PRODUCT DESCRIPTION

The T2 series thermowell are available in 304 series and 316 series stainless steel. They are available in a wide range of lengths. Custom lengths and materials are also available.

TYPICAL INSTALLATION

The T2 series thermowell can be installed in various locations throughout the pipe, see the diagram below.

The required torque for the set-screw to ensure secure attachment and avoid damage to the probe is 5"/lbs.



Thermowell placement in pipe

SPECIFICATIONS

MATERIAL	P: 304 Series stainless steel R: 316 Series stainless steel
LENGTH	2", 4", 6", 8", 12", & 18" Standard Custom lengths available
THREAD SIZE	1/2" NPT or BSPT
CONSTRUCTION	Machined construction
COUNTRY OF ORIGIN	Canada

ORDERING

PRODUCT	T2	Thermowell with Set Screw
EXTERNAL THREAD SIZE	1/2	1/2"
EXTERNAL THREAD TYPE	N B	NPT BSPT
LENGTH	2 4 6 8 12 18	50 mm (2") 100 mm (4") 150 mm (6") 200 mm (8") 300 mm (12") 450 mm (18")
MATERIAL	P R	304 Series stainless steel 316 Series stainless steel

PART NUMBER

T2

NOTE: Greystone Energy Systems, Inc. reserves the right to make design modifications without prior notice.



T2 THERMOWELL PRESSURE AND FLOW SPECIFICATIONS

PART NUMBER	DESCRIPTION	MAXIMUM FLOW @ 750°F (400°C)				MAXIMUM PRESSURE			
		AIR AND STEAM		WATER		AT 200°F (100°C)		AT 750°F (400°C)	
		ft/s	m/s	ft/s	m/s	PSI	BAR	PSI	BAR
T2 - 1/2 (X) 2P	2" (50mm), 1/2" NPT/BSP, 0.026" (6mm) Bore, 304 S/S	65	19.8	48	14.6	6290	433	3805	263
T2 - 1/2 (X) 4P	4" (100mm), 1/2" NPT/BSP, 0.026" (6mm) Bore, 304 S/S	65	19.8	48	14.6				
T2 - 1/2 (X) 6P	6" (150mm), 1/2" NPT/BSP, 0.026" (6mm) Bore, 304 S/S	49	14.9	37	11.2				
T2 - 1/2 (X) 8P	8" (200mm), 1/2" NPT/BSP, 0.026" (6mm) Bore, 304 S/S	32	9.7	24	7.3				
T2 - 1/2 (X) 12P	12" (300mm), 1/2" NPT/BSP, 0.026" (6mm) Bore, 304 S/S	12	3.6	12	3.6				
T2 - 1/2 (X) 18P	18" (450mm), 1/2" NPT/BSP, 0.026" (6mm) Bore, 304 S/S	4	1.2	4	1.2	6615	456	5500	380
T2 - 1/2 (X) 2R	2" (50mm), 1/2" NPT/BSP, 0.026" (6mm) Bore, 316 S/S	63	19.2	48	14.6				
T2 - 1/2 (X) 4R	4" (100mm), 1/2" NPT/BSP, 0.026" (6mm) Bore, 316 S/S	63	19.2	48	14.6				
T2 - 1/2 (X) 6R	6" (150mm), 1/2" NPT/BSP, 0.026" (6mm) Bore, 316 S/S	47	14.3	37	11.2				
T2 - 1/2 (X) 8R	8" (200mm), 1/2" NPT/BSP, 0.026" (6mm) Bore, 316 S/S	31	9.4	24	7.3				
T2 - 1/2" (X) 12R	12" (300mm), 1/2" NPT/BSP, 0.026" (6mm) Bore, 316 S/S	12	3.6	12	3.6				
T2 - 1/2" (X) 18R	18" (450mm), 1/2" NPT/BSP, 0.026" (6mm) Bore, 316 S/S	4	1.2	4	1.2				

NOTE

(X) = N for NPT, B for BSP

- 1) These are worst-case velocity ratings for air, steam, and water. Based on air at 21°C (70°F), 6900 PSI (475 Bar), with a density of 35 lb/ft³ (560 kg/m³), steam at 400°C (750°F), 5500 PSI (379 Bar), with a density of 32 lb/ft³ (512 kg/m³), and water at 21°C (70°F), [6800 PSI (468 Bar) for 316 S/S], with a density of 63.59 lb/ft³ (1018 kg/m³). Significantly higher velocities are possible when fluid/gases at lower densities.
- 2) Specification of a thermowell and the materials of construction are the sole responsibility of the designer of the system that incorporates the thermowell. Sole responsibility for ensuring compatibility of the process fluid with the system rests with the end user.
- 3) These ratings do not consider corrosion.