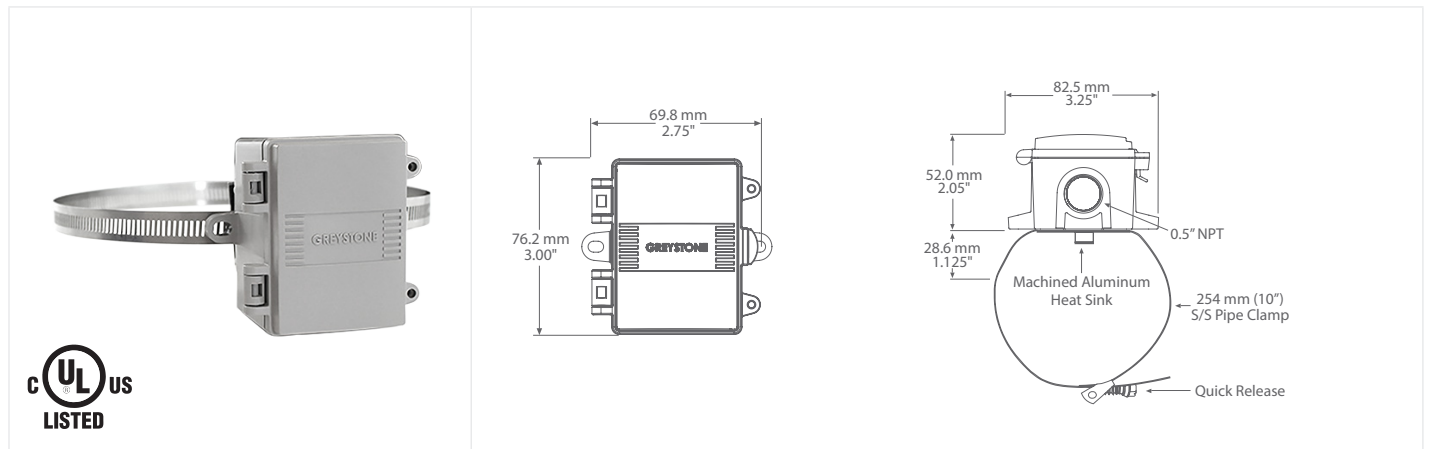




HIGH ACCURACY STRAP-ON TEMPERATURE TRANSMITTER



HATXSO SERIES

PRODUCT DESCRIPTION

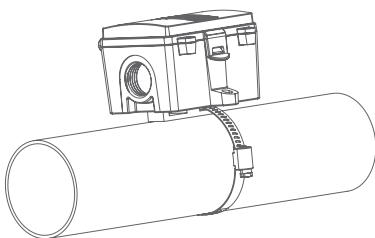
The high accuracy single point strap-on temperature transmitter has a precision platinum RTD bonded to a 38.1 mm x 12.7 mm (1.5" x 0.5") machined aluminum heat sink. A 25.4 mm (1") S/S Pipe clamp is provided to secure the assembly to various sizes of pipes. All probes are constructed to provide excellent heat transfer, fast response and are potted to resist moisture penetration. A transmitter that provides a high accuracy signal with excellent long term stability, low hysteresis and fast response is available with various ranges.

TYPICAL INSTALLATION

For complete installation and wiring details, please refer to the product installation instructions.

The strap-on temperature transmitter series can be mounted directly to various sizes of pipes and secured using a 25.4 mm (1") S/S pipe clamp. The pipe clamp is a "Quick Release" type and can be separated by moving the tightening screw. Position the aluminum plate on the pipe so it makes the best contact, wrap the clamp around the pipe and re-assemble and tighten. For best results, thermal conductive compound should be applied to pipe prior to mounting the probe.

Wiring connections are made inside the enclosure.



SPECIFICATIONS

SENSOR TYPE	1000Ω Platinum, IEC 751, 385 Alpha, thin film
SENSOR ACCURACY	RTD Class A: ±0.15°C (±0.27°F) @ 0°C (32°F) RTD 1/3 DIN: ±0.1°C (±0.18°F) @ 0°C (32°F) RTD 1/10 DIN: ±0.03°C (±0.054°F) @ 0°C (32°F)
PROBE SENSING RANGE	-40 to 100°C (-40 to 212°F)
WIRE MATERIAL	FT-4, 22 AWG
PROBE MATERIAL	Machined aluminum heat sink
PROBE DIMENSIONS	38mm x 12.7mm (1.5 x 0.5")
PIPE STRAP	25.4mm (1") stainless steel
OUTPUT SIGNAL	4-20 mA current loop, 0-5 Vdc, or 0-10 Vdc (factory configured)
TRANSMITTER ACCURACY	±0.1% of span, including linearity
OUTPUT DRIVE @ 24 VDC	Current: 600Ω maximum Voltage: 10 KΩ minimum
MAXIMUM OUTPUT (VOLTAGE)	Limited to <5.5 vdc for 0-5 Vdc, <10.5 for 0-10 Vdc
INPUT VOLTAGE EFFECT	Negligible over specified operating range
PROTECTION CIRCUITRY	Reverse voltage protected and output limited
AMBIENT OPERATING RANGE	-40 to 60°C (-40 to 140°F), 0 to 95 %RH non-condensing
ENCLOSURE	A: ABS, UL94-V0, IP65 (NEMA 4X) E: Same as A, with thread adapter (1/2" NPT to M16) and cable gland fitting
TERMINATION	Terminal block (14 to 22 AWG)
PROTECTION CLASS	III
POWER SOURCE UL	0-5 Vdc: 10-35 Vdc or 10-28 Vac SELV (Class 2) 0-10 Vdc: 15-35 Vdc or 15-28 Vac SELV (Class 2) 4-20 mA: 15-35 Vdc (loop-powered) or 22-28 Vac Limited Energy, <15W
CONSUMPTION	Current @ 20 mA Voltage @ 5 mA
EU CONFORMITY	CE
CERTIFICATION	UL 60730 & CSA E60730
UL 2043 / CSA / ULC S142 COMPLIANT	Suitable for Use in Air Handling Spaces in Accordance with Section 300.22, (C) of the National Electrical Code
PURPOSE OF CONTROL	Operating Control
TYPE OF ACTION	Type 1
IMPULSE VOLTAGE	330V
POLLUTION DEGREE	2
COUNTRY OF ORIGIN	Canada

NOTE: This product is factory calibrated and any field adjustment will void the warranty.



ACCESSORIES - INCLUDED WITH E ENCLOSURE OPTION

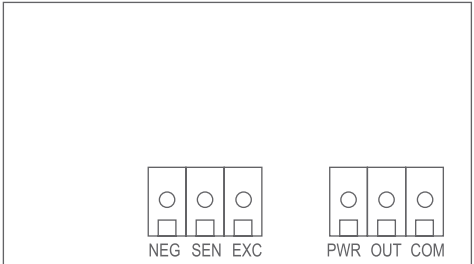


CABLE GLAND FITTING

THREAD ADAPTER 1/2" NPT TO M16

WIRING INFORMATION

TERMINAL	FUNCTION
PWR	Power Supply
OUT	Analog Output
COM	Common
NEG	Temperature Sensor Input
SEN	
EXC	



ORDERING

PRODUCT	HATXSO	High Accuracy Strap-on Temperature Transmitter
ENCLOSURE	A E	ABS, weatherproof with hinged and gasketed cover Same as A, with thread adapter and cable gland fitting
SENSOR	18X 48X 22X	1000 Ω Platinum, IEC 751, 385 Alpha, thin film, Class A 1000 Ω Platinum, IEC 751, 385 Alpha, thin film, 1/3 DIN 1000 Ω Platinum, IEC 751, 385 Alpha, thin film, 1/10 DIN
OUTPUT	A D E	4-20mA 0-5 Vdc 0-10 Vdc
SCALED RANGE	001 002 003 *	0 to 35°C (32 to 95°F) 0 to 50°C (32 to 122°F) 0 to 100°C (32 to 212°F) Additional ranges available

PART NUMBER

HATXSO

NOTE: Greystone Energy Systems, Inc. reserves the right to make design modifications without prior notice.