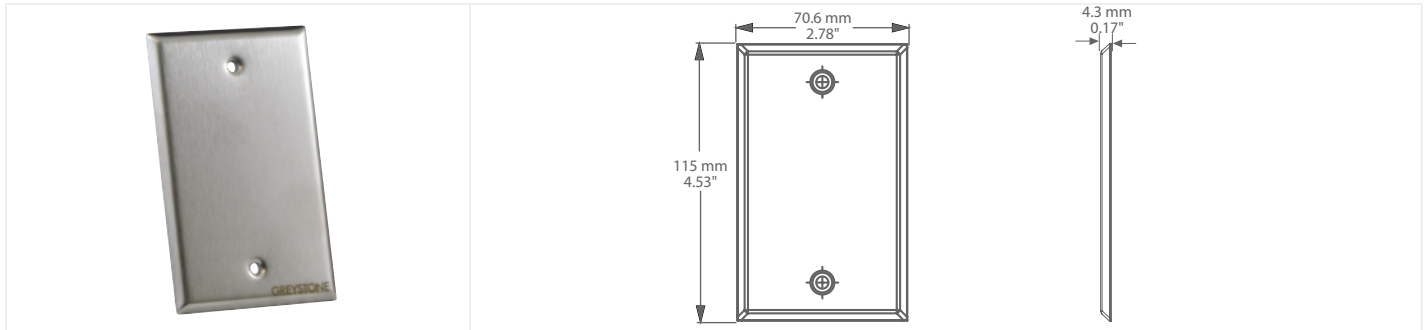




HIGH ACCURACY STAINLESS STEEL ROOM TEMPERATURE SENSOR



HATSRB SERIES

PRODUCT DESCRIPTION

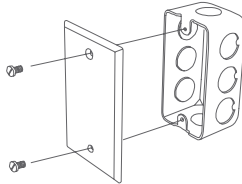
The high accuracy room temperature sensor series is a single gang, blank stainless steel wall plate that incorporates a precision temperature sensor used to monitor room temperatures where additional security is required. Additional options are available that include manual override.

TYPICAL INSTALLATION

For complete installation and wiring details, please refer to the product installation instructions.

The high accuracy room temperature sensor series can be flush mounted directly to a single gang electrical box or directly to a wall. Insulating foam is adhered to the back of the wall plate to provide a thermal barrier from internal wall temperatures.

A pigtail is used for connection to the Building Automation System.



SPECIFICATIONS

SENSOR TYPE	Platinum RTD 1000 Ω, 385 Alpha @ 0°C NTC Thermistor, 10,000 Ω @ 25°C, Type 2 or 3 NTC Thermistor, 20,000 Ω @ 25°C
SENSOR ACCURACY	RTD Class A: ±0.15°C (±0.27°F) @ 0°C (32°F) RTD 1/3 DIN: ±0.1°C (±0.18°F) @ 0°C (32°F) RTD 1/10 DIN: ±0.03°C (±0.054°F) @ 0°C (32°F) NTC Thermistor Type 39: ±0.05°C (±0.09°F), 0 to 70°C (32 to 158°F) NTC Thermistor Type 55: ±0.03°C (±0.054°F), 0 to 70°C (32 to 158°F) NTC Thermistor Type 40/46: ±0.1°C (±0.18°F), 0 to 70°C (32 to 158°F)
TEMPERATURE RANGE	-20 to 60°C (-4 to 140°F)
ENCLOSURE	Stainless steel - IP50 (NEMA 1) 14.3 mm L x 69.85 mm W x 4.75 mm D (4.5" x 2.75" x 0.1875")
WIRING CONNECTIONS	Sensor Only: Pigtail, 2 or 3 wire Sensor with Options: Terminal Block
COUNTRY OF ORIGIN	Canada

NOTE: The sensor accuracies listed in the specifications section apply to the sensing element only prior to product assembly and may not be reflected in the complete assembly. Due to the measurement uncertainty, it is possible that the true resistance value of the single delivered sensor at 0°C can be out of the defined tolerance class. Profiling each assembly to take into consideration lead wire and the attachment method should be completed.

ORDERING

PRODUCT	HATSRB	High Accuracy Stainless Steel Surface Temperature Sensor
SENSOR	18	1000 Ω Platinum, 3 Wire, IEC 751, 385 Alpha, thin film, Class A
	48	1000 Ω Platinum, 3 Wire, IEC 751, 385 Alpha, thin film, 1/3 DIN
	22	1000 Ω Platinum, 3 Wire, IEC 751, 385 Alpha, thin film, 1/10 DIN
	39	10,000 Ω Type 2, NTC Thermistor, ±0.05°C
	55	10,000 Ω Type 2, NTC Thermistor, ±0.03°C
	40	10,000 Ω Type 3, NTC Thermistor, ±0.1°C
	46	20,000 Ω NTC Thermistor, ±0.1°C
OPTIONS (MULTIPLE SELECTIONS CAN BE MADE)	E	Exposed push button momentary switch - N.O.
	B	Grayhill exposed pushbutton, (N.O.), SPST, 3A
	Y	Yellow LED
	R	Red LED
	G	Green LED
	J	3.5 mm Phono jack for remote system access
	T	Tamperproof Screws

PART NUMBER

HATSRB

NOTE: Greystone Energy Systems, Inc. reserves the right to make design modifications without prior notice.



Greystone Energy Systems, Inc.
150 English Drive, Moncton,
New Brunswick, Canada E1E 4G7

Ph: +1 (506) 853-3057 Fax: +1 (506) 853-6014
North America: 1-800-561-5611
E-mail: mail@greystoneenergy.com