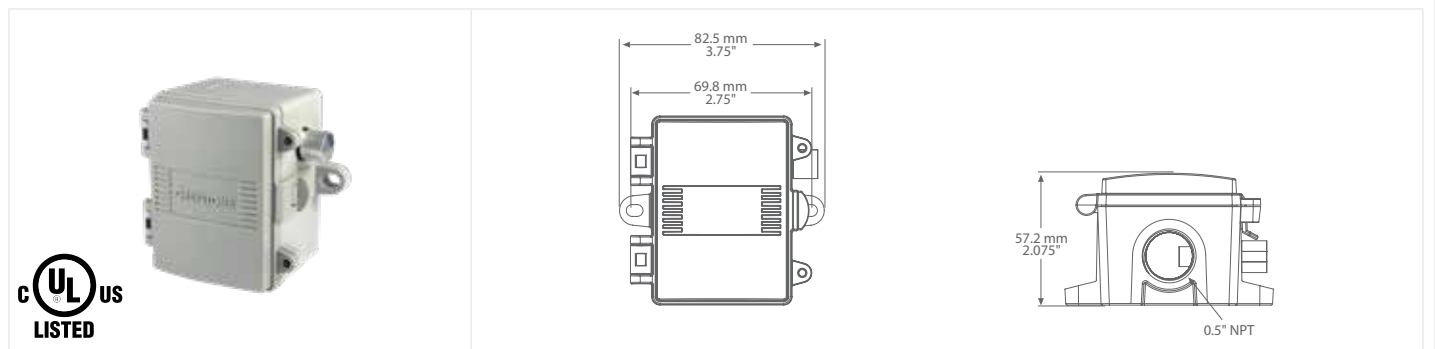




## HIGH ACCURACY OUTSIDE TEMPERATURE SENSOR



### HATSOS SERIES

## PRODUCT DESCRIPTION

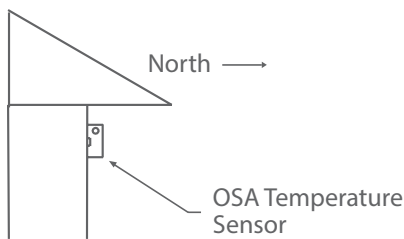
The high accuracy single point outside air temperature sensor utilizes a precision sensor. All probes are constructed to provide excellent heat transfer, fast response, and are potted to resist moisture penetration. A compact weatherproof Polycarbonate enclosure with a hinged and gasketed cover is provided for ease of installation.

## TYPICAL INSTALLATION

**For complete installation and wiring details, please refer to the product installation instructions.**

The outside transmitter should be mounted on an outside north facing wall, under the eaves which will provide protection from direct sunlight.

The outside transmitter can be mounted directly to the building's wall face using the provided mounting holes. A 0.85" hole for conduit connection is provided.



## SPECIFICATIONS

SENSOR TYPE	Various Thermistor or RTD
SENSOR ACCURACY	<b>RTD Class A:</b> $\pm 0.15^{\circ}\text{C}$ ( $\pm 0.27^{\circ}\text{F}$ ) @ $0^{\circ}\text{C}$ ( $32^{\circ}\text{F}$ ) <b>RTD 1/3 DIN:</b> $\pm 0.1^{\circ}\text{C}$ ( $\pm 0.18^{\circ}\text{F}$ ) @ $0^{\circ}\text{C}$ ( $32^{\circ}\text{F}$ ) <b>RTD 1/10 DIN:</b> $\pm 0.03^{\circ}\text{C}$ ( $\pm 0.054^{\circ}\text{F}$ ) @ $0^{\circ}\text{C}$ ( $32^{\circ}\text{F}$ ) <b>NTC Thermistor Type 39:</b> $\pm 0.05^{\circ}\text{C}$ ( $\pm 0.09^{\circ}\text{F}$ ), 0 to $70^{\circ}\text{C}$ (32 to $158^{\circ}\text{F}$ ) <b>NTC Thermistor Type 55:</b> $\pm 0.03^{\circ}\text{C}$ ( $\pm 0.054^{\circ}\text{F}$ ), 0 to $70^{\circ}\text{C}$ (32 to $158^{\circ}\text{F}$ ) <b>NTC Thermistor Type 40/46:</b> $\pm 0.1^{\circ}\text{C}$ ( $\pm 0.18^{\circ}\text{F}$ ), 0 to $70^{\circ}\text{C}$ (32 to $158^{\circ}\text{F}$ )
PROBE SENSING RANGE	$-40$ to $60^{\circ}\text{C}$ ( $-40$ to $140^{\circ}\text{F}$ )
AMBIENT OPERATING RANGE	$-40$ to $60^{\circ}\text{C}$ ( $-40$ to $140^{\circ}\text{F}$ ), 5 to 95 %RH non-condensing
PROBE MATERIAL	Machined aluminum
WIRE MATERIAL	FT-6 rated plenum cable, 22 AWG
ENCLOSURE	<b>A:</b> Polycarbonate, UL94-V0, IP65 (NEMA 4X) <b>C:</b> same as A, includes terminal block <b>E:</b> Same as C, with thread adapter (1/2" NPT to M16) and cable gland fitting
TERMINATION	<b>A:</b> Pigtail, 2 or 3 wire <b>C &amp; E:</b> Terminal block, 2 or 3 wire
PROTECTION CLASS	III
POWER SOURCE UL	SELV, Limited Energy (<15W)
EU CONFORMITY	CE
CERTIFICATION	UL 60730 & CSA E60730
PURPOSE OF CONTROL	Temperature Sensor
ENCLOSURE	UL Enclosure Type 3R
TYPE OF ACTION	Type 1
IMPULSE VOLTAGE	330V
POLLUTION DEGREE	4
COUNTRY OF ORIGIN	Canada

**NOTE:** The sensor accuracies listed in the specifications section apply to the sensing element only prior to product assembly and may not be reflected in the complete assembly.

Due to the measurement uncertainty, it is possible, that the true resistance value of the single delivered sensor at  $0^{\circ}\text{C}$  can be out of the defined tolerance class. Profiling each assembly to take into consideration lead wire and the attachment method should be completed.



## ACCESSORIES - INCLUDED WITH E ENCLOSURE OPTION

		
CABLE GLAND FITTING	THREAD ADAPTER 1/2" NPT TO M16	

## ORDERING

PRODUCT	HATSOS	High Accuracy Outside Temperature Sensor
ENCLOSURE	A C E	Polycarbonate, with hinged and gasketed cover Same as A, with terminal block Same as C, with thread adapter and cable gland fitting
SENSOR	18X 48X 22X 39X 55X 40X 46X	1000 Ω Platinum, 3 wire, IEC 751, 385 Alpha, thin film, Class A 1000 Ω Platinum, 3 wire, IEC 751, 385 Alpha, thin film, 1/3 DIN 1000 Ω Platinum, 3 wire, IEC 751, 385 Alpha, thin film, 1/10 DIN 10,000 Ω Type 2, NTC Thermistor, ±0.05°C 10,000 Ω Type 2, NTC Thermistor, ±0.03°C 10,000 Ω Type 3, NTC Thermistor, ±0.1°C 20,000 Ω NTC Thermistor, ±0.1°C

## PART NUMBER

HATSOS

NOTE: Greystone Energy Systems, Inc. reserves the right to make design modifications without prior notice.