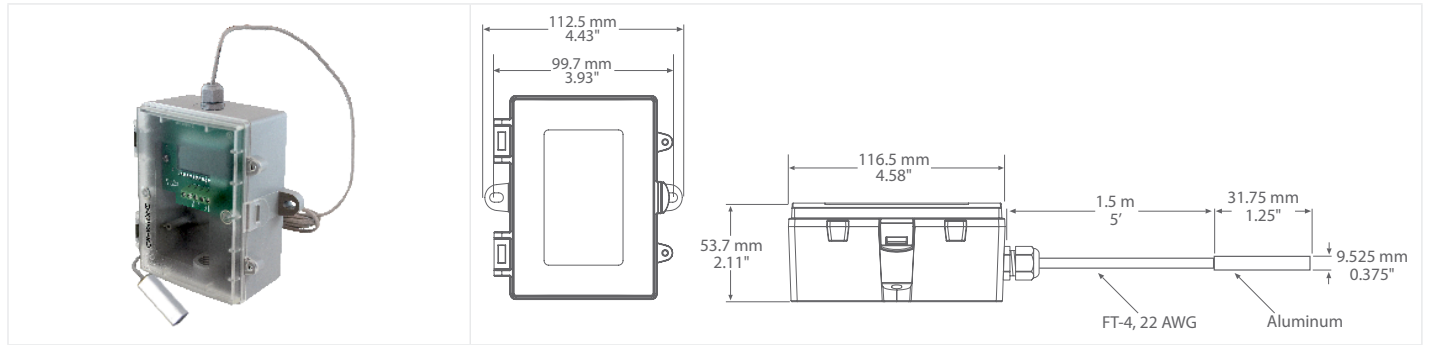




HIGH ACCURACY GLASS TEMPERATURE TRANSMITTER WITH LCD



HATDGL SERIES

PRODUCT DESCRIPTION

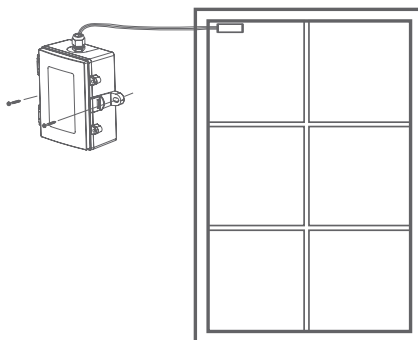
The high accuracy single point glass temperature sensor utilizes a precision sensor encapsulated in a 31.75mm L x 9.525mm W x 9.525 mm H (1.25" x .375" x .375") Aluminum probe. Standard wire length is 600 mm (24"). The probe is constructed to provide excellent heat transfer, fast response and is potted to resist moisture penetration. The transmitter provides a high accuracy signal with excellent long term stability, low hysteresis and fast response and is available with various ranges. (see ordering chart). A weatherproof Polycarbonate enclosure is included for ease of installation. An LCD is provided in either °C or °F.

TYPICAL INSTALLATION

For complete installation and wiring details, please refer to the product installation instructions.

Find a suitable location on an exterior window where both the probe and enclosure can be mounted. On one side apply epoxy compound and press firmly against the glass. Hold in place until the epoxy has set.

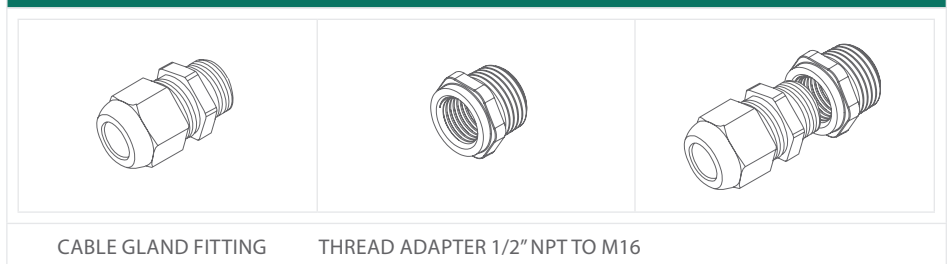
Enclosure provides mounting tabs for ease of installation.



SPECIFICATIONS

SENSOR TYPE	1000Ω Platinum, IEC 751, 385 Alpha, thin film
SENSOR ACCURACY	RTD Class A: ±0.15°C (±0.27°F) @ 0°C (32°F) RTD 1/3 DIN: ±0.1°C (±0.18°F) @ 0°C (32°F) RTD 1/10 DIN: ±0.03°C (±0.054°F) @ 0°C (32°F)
PROBE SENSING RANGE	-20 to 100°C (-4 to 212°F)
PROBE DIMENSIONS	31.75mm L x 9.525mm H x 9.525mm W (1.25" x 0.375" x 0.375")
PROBE MATERIAL	Aluminum wafer
WIRE MATERIAL	FT-4, 22 AWG
WIRE LENGTH	1.5m (5')
OUTPUT SIGNAL	4-20 mA current loop, 0-5 Vdc, or 0-10 Vdc (factory configured)
TRANSMITTER ACCURACY	±0.2% of span, including linearity
POWER SUPPLY	15-30 Vdc or 12-28 Vac
CONSUMPTION (MAX)	Current: 20 mA Voltage: 11 mA
PROTECTION CIRCUITRY	Reverse voltage protected and output limited
OUTPUT DRIVE @ 24 VDC	Current: 700Ω max Voltage: 20,000Ω min
LCD DISPLAY UNITS	°C or °F (factory configured)
DISPLAY RANGE	3 digit for -88.8 to 888 as required
DISPLAY SIZE	38.1mm W x 16.5mm H (1.5" x 0.65")
DIGIT HEIGHT	11.4mm (0.45") plus °C/°F symbol
AMBIENT OPERATING RANGE	0 to 50°C (32 to 122°F), 0 to 95 %RH
ENCLOSURE	B: Grey polycarbonate UL94-V0, IP65 (NEMA 4X) F: Same as B with thread adapter (1/2" NPT to M16) and cable gland fitting
WIRING CONNECTIONS	Screw terminal block (14 to 22 AWG)
COUNTRY OF ORIGIN	Canada

OPTIONAL ACCESSORIES - INCLUDED WITH F ENCLOSURE OPTION

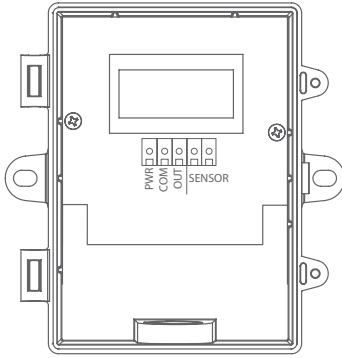


CABLE GLAND FITTING

THREAD ADAPTER 1/2" NPT TO M16



WIRING INFORMATION



TERMINAL	FUNCTION
PWR	+ 24 Vdc/ac power supply
COM	Common
OUT	Analog Output
SEN	Negative
SEN	Excitation

ORDERING

PRODUCT	HATDGL	High Accuracy Glass Temperature Transmitter with Display
ENCLOSURE	B F	Polycarbonate, with hinged and gasketed cover Same as B, with thread adapter and cable gland fitting
DISPLAY UNITS	C F	Celsius Fahrenheit
SENSOR	18X 48X 22X	1000Ω, Platinum, 2 wire, IEC 751, 385 Alpha, thin film, Class A 1000Ω, Platinum, 2 wire, IEC 751, 385 Alpha, thin film 1/3 DIN 1000Ω, Platinum, 2 wire, IEC 751, 385 Alpha, thin film 1/10 DIN
OUTPUT	A D E	4-20 mA, 2 or 3 wire 0-5 Vdc, 3 wire 0-10 Vdc, 3 wire
SCALED RANGE	001 002	0 to 35°C (32 to 95°F) 0 to 50°C (32 to 122°F)

PART NUMBER

HATDGL

NOTE: Greystone Energy Systems, Inc. reserves the right to make design modifications without prior notice.