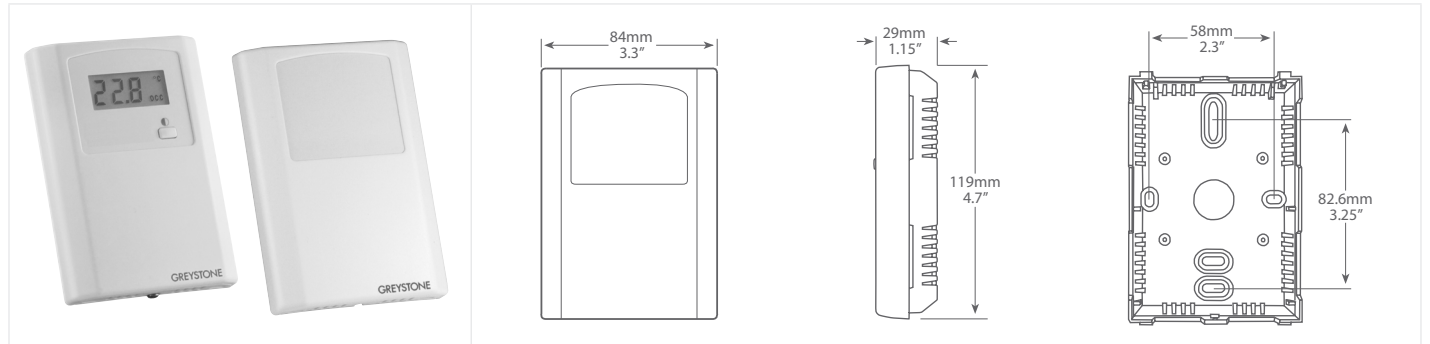


HIGH ACCURACY ROOM HUMIDITY / TEMPERATURE TRANSMITTER



HAHTRC SERIES

PRODUCT DESCRIPTION

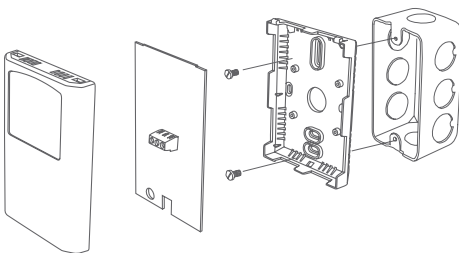
The HAHTRC series uses highly accurate and reliable thermoset polymer based capacitance humidity sensor and curve matched thermistor together with state-of-the-art digital linearization and temperature compensated circuitry in an attractive, low profile enclosure to monitor room humidity & temperature levels. Options include manual override, viewable LCD, and occupied input.

TYPICAL INSTALLATION

For complete installation and wiring details, please refer to the product installation instructions.

The HAHTRC series can be mounted directly to a single gang electrical box or directly to a wall. Insulating foam is adhered to the back of the enclosure to provide a thermal barrier from wall temperatures.

A terminal block connection is provided for connection to the Building Automation System.

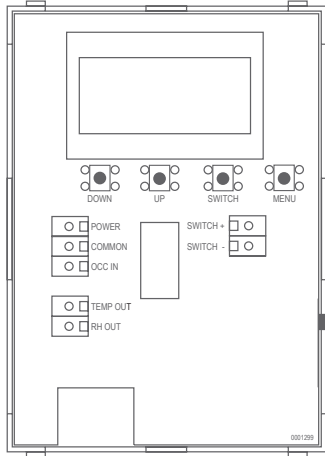


SPECIFICATIONS

TEMPERATURE	Sensor: Curve-matched thermistor Accuracy: $\pm 0.1^{\circ}\text{C}$ ($\pm 0.18^{\circ}\text{F}$) Range: 0 to 35°C (32 to 95°F) or 0 to 50°C (32 to 122°F), programmable Offset: $\pm 5.0^{\circ}\text{C}$ ($\pm 9.0^{\circ}\text{F}$) programmable Display Units: $^{\circ}\text{C}$ or $^{\circ}\text{F}$ programmable Display Resolution: $0.5^{\circ} < 100^{\circ}$, $1^{\circ} > 100^{\circ}$
HUMIDITY	Sensor: Thermoset polymer based capacitance Accuracy: $\pm 1\%$ (30 to 70% RH) $\pm 2\%$ (5 to 95%RH) Range: 0 to 100 %RH Hysteresis: $\pm 3\%$ RH Response Time: 15 seconds typical Offset: $\pm 20\%$ RH, programmable Stability: $\pm 1.2\%$ RH typical @ 50% RH in 5 years
POWER SUPPLY	24 Vac/dc $\pm 10\%$ (non-isolated half-wave rectified)
CONSUMPTION	60 mA max @ 24 Vdc
INPUT VOLTAGE EFFECT	Negligible over specified operating range
PROTECTION CIRCUITRY	Reverse voltage protected and output limited
OUTPUT SIGNAL	4-20 mA active (sourcing), 0-5 Vdc or 0-10 Vdc (specify when ordering)
OUTPUT RESOLUTION	10 bit for all signals
OUTPUT DRIVE @ 24 VDC	Current: 550 Ω maximum Voltage: 10K Ω minimum
PROGRAMMING/SELECTION	Via internal push buttons and on-screen menu
OPERATING CONDITIONS	0 to 50°C (32 to 122°F), 0 to 95 %RH non-condensing
WIRING CONNECTIONS	Screw terminal block (14 to 22 AWG)
ENCLOSURE	White ABS - IP30 (NEMA 1) 84mm W x 119mm H x 29mm D (3.3" x 4.7" x 1.15")
OPTIONAL LCD DISPLAY	Range: 00.0 to 99.9, 3 digit Symbols: $^{\circ}\text{C}$, $^{\circ}\text{F}$ %RH, OCC Display Size: 38.1 mm x 16.5 mm (1.5" x 0.65") Digit Height: 11.43 mm (0.45") Backlight: Enable/disable via menu
OPTIONAL OVERRIDE	Type: Front panel, momentary push button, 2 wire dry contact Switch Ratings: N.O., SPST, 50 mA @ 12 Vdc
OPTIONAL OCCUPIED INPUT (INCLUDED WITH OVERRIDE OPTION)	Type: Digital input, 0-5 Vdc or dry contact to common Logic: Active low or active high, programmable Action: Causes "OCC" segment to light in display
COUNTRY OF ORIGIN	Canada



WIRING INFORMATION



TERMINAL	FUNCTION
PWR	+24 Vdc/ac
COM	Common
OCC IN	Digital Input
TEMP OUT	Analog Output
RH OUT	Analog Output
SWITCH +	Digital Output
SWITCH -	Digital Output

ORDERING

PRODUCT	HAHTRC	High Accuracy Room Humidity/Temperature Transmitter
RH ACCURACY	1 2	1% 2%
LCD DISPLAY	N L	Concealed Viewable
OUTPUT	I V	4-20 mA 0-5 Vdc or 0-10 Vdc (menu selectable)
OPTIONS	S	Override switch (includes occupied input)

NOTE: Greystone Energy Systems, Inc. reserves the right to make design modifications without prior notice.

PART NUMBER

HAHTRC