
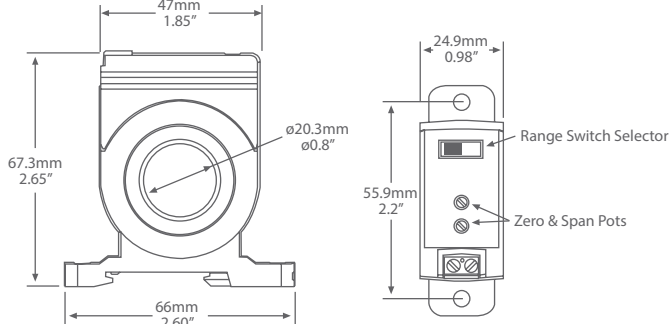





CURRENT SENSOR







CS-675

PRODUCT DESCRIPTION

The CS-675 Series current sensors monitor line current for electrical loads such as pumps, conveyors, machine tools, or fans and output an analog signal to represent the load current. The CS-675 is loop-powered and requires 15 to 30 Vdc to power the device.

The CS-675 series features True RMS current measurement suitable to measure complex waveforms such as those found in VFD controlled loads. They are also suitable for accurate measurement of phase angled controlled or time proportional SCR controlled load currents. The CS-675 Series contain a precision RMS-to-DC converter circuit which will measure load current accurately for complex, distorted or noisy waveforms as opposed to "average reading" devices that will only accurately measure pure sine waveforms.

TYPICAL INSTALLATION

For complete installation and wiring details, please refer to the product installation instructions.

The CS-675 series must be mounted in an electrical enclosure and has an integral mounting tab to allow either screw mount to a surface or spring mount to a DIN rail.

The CS-675 series has a 2 wire connection to the Building Automation System.

SPECIFICATIONS

MEASUREMENT RANGE	CS-675-2: 0-2 Amps CS-675-5: 0-5 Amps CS-675-R1: 0-10/20/50 Amps CS-675-R2: 0-50/100/150 Amps CS-675-200: 0-200 Amps
MAXIMUM INPUT CURRENT	CS-675-2: 10 Amps continuous CS-675-5: 15 Amps continuous CS-675-R1: 3x range continuous CS-675-R2: 2x range continuous CS-675-200: 250 Amps continuous
ACCURACY	CS-675-R1/R2: ±2% FSO (5-100% of range) CS-675-2, 5 & 200: ±1% FSO (5-100% of range)
SIGNAL OUTPUT	4-20 mA
SENSOR POWER	15-30 Vdc, loop-powered
INSULATION CLASS	600 Vac, insulated conductors
FREQUENCY	20 - 400 Hz
RESPONSE TIME	500 mS typical, 0-90%
OUTPUT LOAD	250Ω typical
MAXIMUM LOAD	>600Ω at 24 Vdc
OPERATING TEMPERATURE	-15 to 60°C (5 to 140°F)
OPERATING HUMIDITY	5 to 90 %RH non-condensing
TERMINAL BLOCK	14 to 22 AWG
DIMENSIONS	67mm W x 68.6mm H x 24.1mm D (2.65" x 2.7" x 0.95")
SENSOR APERTURE	20.3mm (0.8")
ENCLOSURE MATERIAL	ABS/PC, UL94-V0
AGENCY APPROVALS	cULus listed

ORDERING

PRODUCT	CS-675	Solid-Core Current Sensor, 4-20 mA Output
SENSING RANGE	2 0-2 Amps 5 0-5 Amps R1 0-10/20/50 Amps - jumper selectable R2 0-50/100/150 Amps - jumper selectable 200 0-200 Amps	

PART NUMBER

CS-675

NOTE: Greystone Energy Systems, Inc. reserves the right to make design modifications without prior notice.



Greystone Energy Systems, Inc.
 150 English Drive, Moncton,
 New Brunswick, Canada E1E 4G7

Ph: +1 (506) 853-3057 Fax: +1 (506) 853-6014
 North America: 1-800-561-5611
 E-mail: mail@greystoneenergy.com