

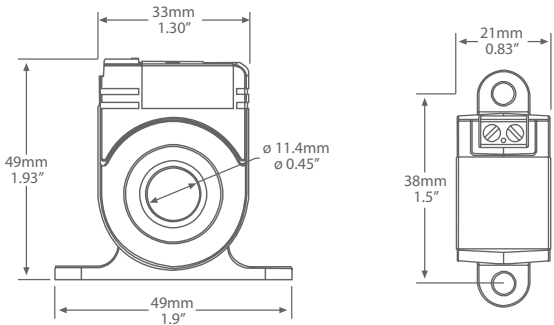




## MINI CURRENT SENSOR







**CS-650**

### PRODUCT DESCRIPTION

The CS-650 series of mini current sensors monitor line current for electrical loads such as pumps, conveyors, machine tools or fans and provide an output of 0-5 Vdc to represent the load current.

The CS-650 requires no external power supply as they are totally powered by induction of the AC line being monitored.

### TYPICAL INSTALLATION

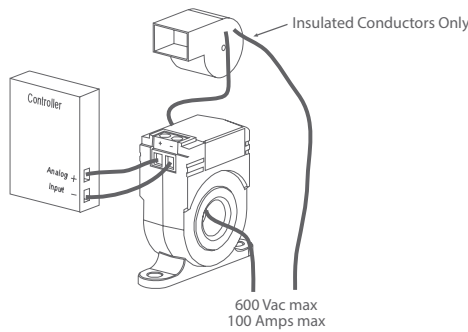
**For complete installation and wiring details, please refer to the product installation instructions.**

The CS-650 series must be mounted in an electrical enclosure and has an integral mounting tab to allow screw mount to a surface.

The CS-650 series has a 2 wire connection to the Building Automation System.

### SPECIFICATIONS

MEASUREMENT RANGE	0-10, 20, or 50 Amps
MAXIMUM INPUT CURRENT	100 Amps continuous
ACCURACY	±1% FSO (5-100% of range)
SIGNAL OUTPUT	0-5 Vdc
SENSOR POWER	Self-powered
INSULATION CLASS	600 Vac, insulated conductors
FREQUENCY	50/60 Hz
RESPONSE TIME	250 mS typical, 0-95%
OUTPUT LOAD	1 MΩ typical
LOADING ERROR	Add 1.2% error with 100KΩ
OPERATING TEMPERATURE	-15 to 60°C (5 to 140°F)
OPERATING HUMIDITY	5 to 90 %RH non-condensing
TERMINAL BLOCK	14 to 22 AWG
DIMENSIONS	48mm W x 49mm H x 21mm D (1.9" x 1.93" x 0.83")
SENSOR APERTURE	11.4mm (0.45")
ENCLOSURE MATERIAL	ABS/PC, UL94-V0
AGENCY APPROVALS	cULus listed



### ORDERING

PRODUCT	CS-650	Mini Solid-Core Current Sensor, 0-5 Vdc Output
SENSING RANGE	10 20 50	0-10 Amps 0-20 Amps 0-50 Amps

### PART NUMBER

CS-650
--------

NOTE: Greystone Energy Systems, Inc. reserves the right to make design modifications without prior notice.



Greystone Energy Systems, Inc.  
150 English Drive, Moncton,  
New Brunswick, Canada E1E 4G7

Ph: +1 (506) 853-3057 Fax: +1 (506) 853-6014  
North America: 1-800-561-5611  
E-mail: mail@greystoneenergy.com