

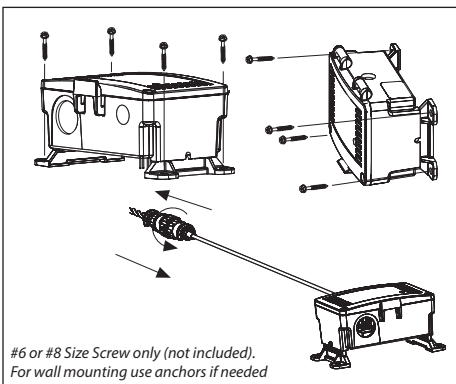
**INTRODUCTION**

The conductivity cable water detector is used to detect the presence of water or conductive liquids. It is available with either one or two relay outputs and is designed to signal alarms if one or more of three conditions are met: water is detected, power is lost to the unit, or if there is an internal failure.

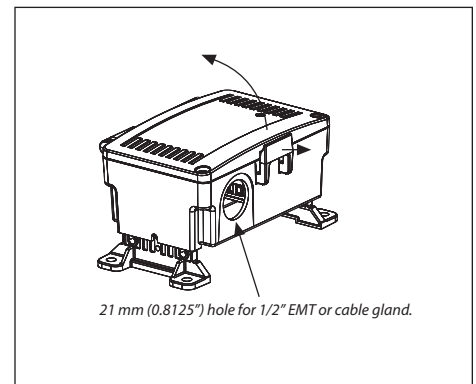
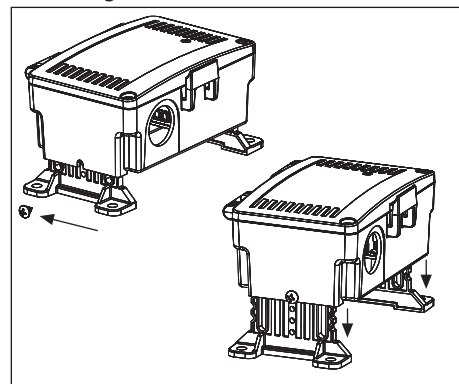
The conductivity cable water detector is housed in an IP65 rated enclosure with various lengths of cable available. An optional leader cable is also available in various lengths. It features height adjustable mounting legs that include 5 preset mounting heights. An LED provides visual status indication.

**BEFORE INSTALLATION**

- Read these instructions carefully before installing and commissioning the water detector. Failure to follow these instructions may result in product damage.
- Do not use in an explosive or hazardous environment, with combustible or flammable gases, as a safety or emergency stop device or in any other application where failure of the product could result in personal injury.
- **Take electrostatic discharge precautions during installation and do not exceed the device ratings.**



#6 or #8 Size Screw only (not included).  
For wall mounting use anchors if needed



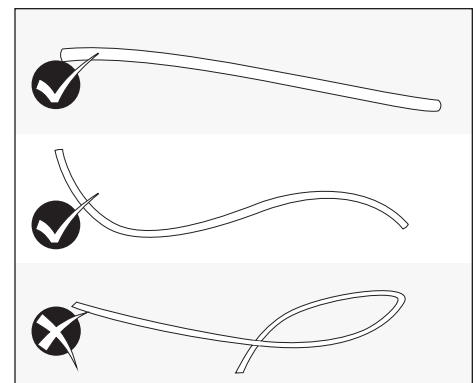
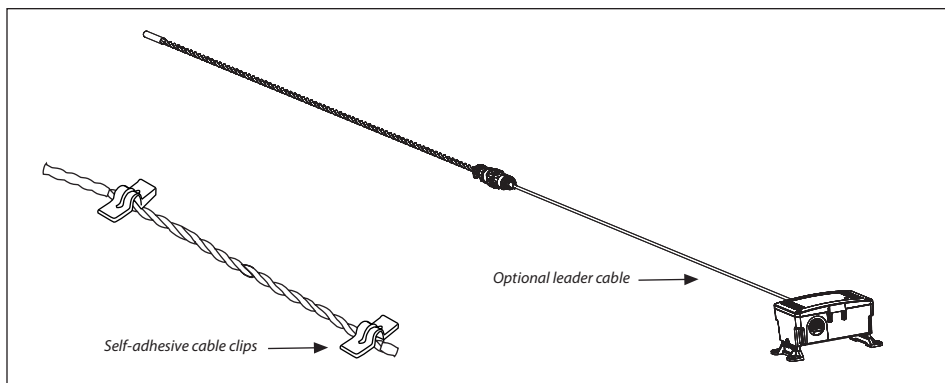
21 mm (0.8125") hole for 1/2" EMT or cable gland.

**1** Secure by applying a silicone adhesive to the mounting feet and placing the sensor in the area to be protected. For more permanent installations, fasten the sensor using the holes provided in the mounting feet.

**NOTE:** If the device was ordered with a leader cable, the conductivity cable can be disconnected to assist in installation. To remove, twist connector counter-clockwise and pull apart.

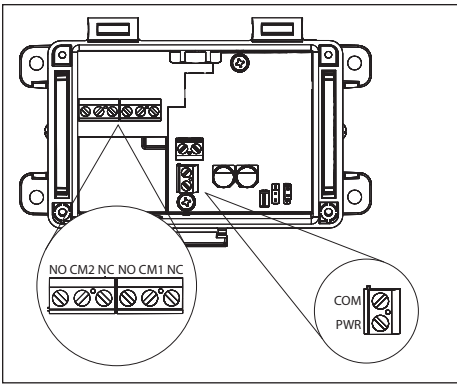
**2** The legs have five pre-set heights set by the holes in the leg. To adjust leg height, remove the screws. Pull/push the legs to the height desired, and re-insert screws and tighten.

**3** Open the cover by pulling slightly on the latch on the enclosure and at the same time pulling up on the cover.

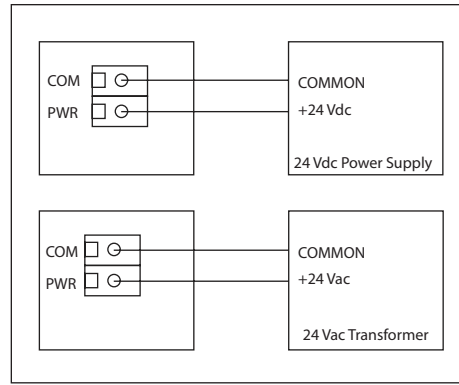


**4** Once laid in place, secure using the self-adhesive cable clips provided. For best results adhere clips at each end of the cable first. Clips are provided to secure cable approximately every 1.5 m (5').

**5** The cable may be laid in a straight line or in a serpentine configuration. Be careful not to kink cable.

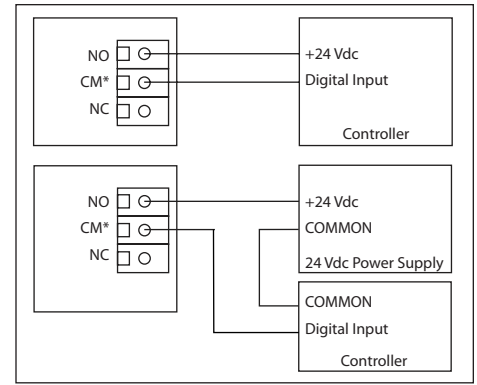


**6** Make all connections in accordance with national and local codes. Use 14-22 AWG shielded wire and do not locate the device wires in the same conduit with wiring used to supply inductive loads such as motors. The device is reverse voltage protected and will not operate if connected backwards.



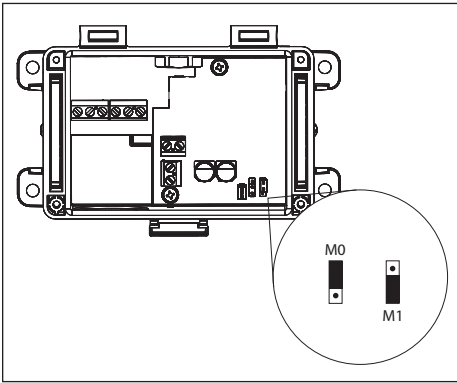
**7** To prevent electrical shock or equipment damage make all connections before applying power. Connect 24 Vac/Vdc to PWR & COM terminals.

**NOTE:** Use caution when wiring multiple devices or when grounding the secondary of a transformer to ensure that the circuit ground point is the same on all devices and the controller.

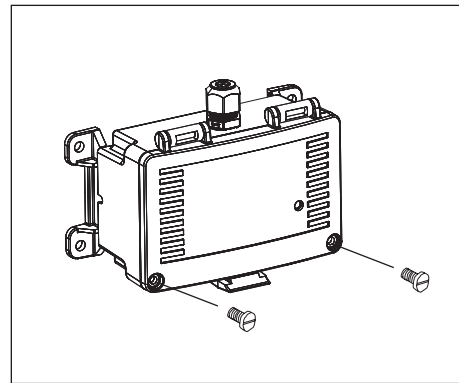


**8** Do not exceed the device contact ratings. The relays are Form C type with both a normally open (NO) and a normally closed (NC) contact. Relay terminals are designated NO, CM\* and NC.

**NOTE:** Each relay output is independent and isolated from the other and the relays COMs are not connected to the device COM.



**9** Only for models with 2 relays, set the operation jumper. M0 position = Relay 1 & 2 Activate on water detection and trouble M1 position = Relay 1 activates on water detection and Relay 2 on trouble See Operation section for full details.



**10** Use the provided security screws to secure the cover.

**NOTE:** All additional jumpers are factory set. Do not change position. Changing jumper position will cause device to be in constant alarm state.

## OPERATION

When the detector is powered on, it will monitor for the liquid detection channels. If a conductive liquid comes in contact with the conductive cable the detector will trigger the relay(s) to indicate liquid is present.

The conductive cable sensor includes a trouble check feature that can be used to verify the cable is not damaged or connected improperly. On the 2 relay model, the relays can be set so that both relays activate on both water detection and trouble or that relay 1 activates on water detection and relay 2 activates as trouble notification.

The relays are fail-safe, meaning when power is applied to device the relay is powered. If power is lost to device the relay will de-energize signaling a fault to the system.

### 1 Relay Model

Relay Activates on water detection or trouble

**LED:** Green = No water

Yellow = Trouble

Red = Water Detection

### 2 Relay Model

Trouble Check Jumper set to M0 position

**Relay 1:** Relay Activates on water detection & trouble

**Relay 2:** Relay Activates on water detection & trouble

Trouble Check Jumper set to M1 position

**Relay 1:** Relay Activates on water detection

**Relay 2:** Relay Activates on trouble

**LED:** Green = No water

Yellow = Trouble

Red = Water Detection

## SPECIFICATIONS

ALARM OUTPUT	1 or 2 Form C relay(s), NO/NC, rated 2 Amps @ 30 VAC/VDC, 0.5 Amps @ 120 VAC (resistive load)
VISUAL INDICATION	Tri-color LED - Green, Yellow, Red
OPERATING TEMPERATURE	0 to 60°C (32 to 140°F)
ENCLOSURE	ABS with hinged and gasket cover, IP65
DIMENSIONS	133.2mm L x 86.7mm W x 60.3-85.7mm H (5.2" x 3.4" x 2.4" - 3.4")
OPTIONAL LEADER CABLE	FT-6 Plenum rated
PROTECTION CLASS	III
POWER SOURCE UL	12-27 Vac/Vdc, 50/60 Hz, SELV, Class 2
CONSUMPTION	125 mA max @ 24 Vac
OUTPUTS	2A, 30 Vac/Vdc, 6000 cycles, resistive, 60°C, SELV, Class 2 1 or 2 Form C relay alarms (NO/NC)
EU CONFORMITY	CE
UL MODEL#	WH2011C, WH2012C
CERTIFICATION	UL 60730 & CSA E60730
UL 2043 / CSA / ULC S142 COMPLIANT	Suitable for Use In Air Handling Spaces in Accordance with Section 300.22, (C) of the National Electrical Code
ENCLOSURE	Indoor/Outdoor use, Type 4X and IP65
PURPOSE OF CONTROL	Operating Control, Water Detector
TYPE OF ACTION	Type 1. C Action
IMPULSE VOLTAGE	330V
POLLUTION DEGREE	3
COUNTRY OF ORIGIN	Canada

## DIMENSIONS

