

### INTRODUCTION

The rigid, multi point rigid duct average temperature transmitter incorporates numerous precision platinum RTD's at equal distances and 6 mm (0.236") OD, 304 series stainless steel probe and is available in various lengths. All probes provide excellent heat transfer, fast response and resist moisture penetration. A transmitter that provides a high accuracy signal with excellent long term stability, low hysteresis and fast response is available with various ranges. A compact ABS enclosure with a hinged and gasketed cover is provided for ease of installation.

### BEFORE INSTALLATION

Read these instructions carefully before installing and commissioning the temperature sensor. Failure to follow these instructions may result in product damage. Do not use in an explosive or hazardous environment, with combustible or flammable gases, as a safety or emergency stop device or in any other application where failure of the product could result in personal injury. **Do not exceed the device ratings.**

### MOUNTING

The temperature sensor installs directly into any air duct with several lengths available for a wide range of duct widths/diameters. Select a suitable installation area in the middle of the duct wall. To achieve the best reading, do not place in an area where air stratification may be present. Mount the sensor at least 1.5 m (5') in either direction from elbows, dampers, filters or other duct restrictions. Avoid areas where the sensor is exposed to vibrations or rapid temperature changes.

Once a suitable spot is selected, drill a 9.5 - 12 mm (3/8" - 1/2") hole for the probe.

Slide the probe in the drilled hole until the enclosure is flush against the duct. The airflow direction is not important. Secure the enclosure to the duct with two #10 x 25 mm (1") self tapping screws (not provided). Tighten screws until the enclosure is tight against the duct and ensure that there is no movement of the enclosure as shown in Figure 1.

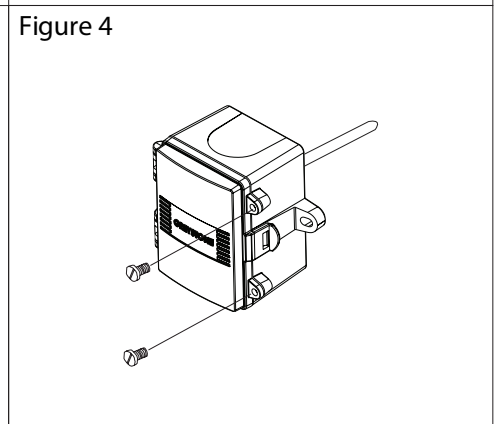
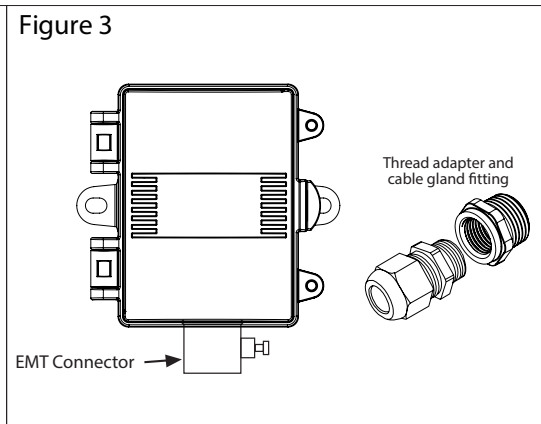
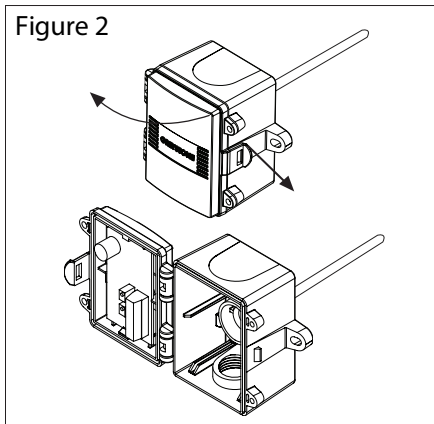
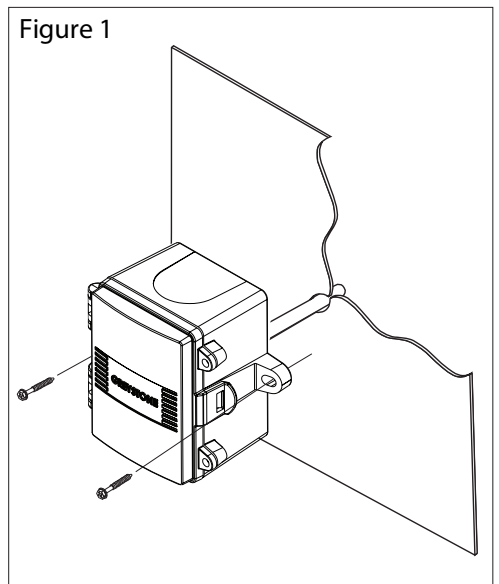
A foam gasket on the back of the enclosure provides a tight seal against any air leaks.

The enclosure has a hinged cover with a latch. Open the cover by pulling slightly on the latch on the right side of the enclosure. At the same time pulling on the cover, as shown in Figure 2.

A 1/2" NPT threaded connection hole is provided in the bottom of the enclosure. Screw the EMT or cable gland connector in until tight. See Figure 3. It is recommended that weatherproof EMT or cable gland fittings be used. The E style enclosure includes a 1/2" NPT to M16 thread adapter and cable gland fitting.

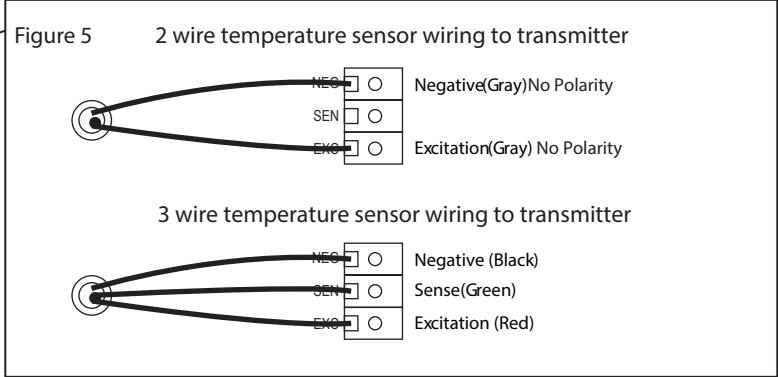
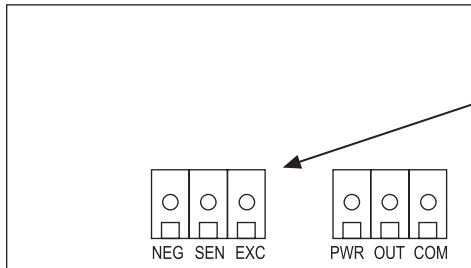
Make wiring connections as per the "Wiring" illustrations on Page 2.

Swing door closed until securely latched. For added security, two screws are provided that may be installed in the integrated screw tabs. See Figure 4.



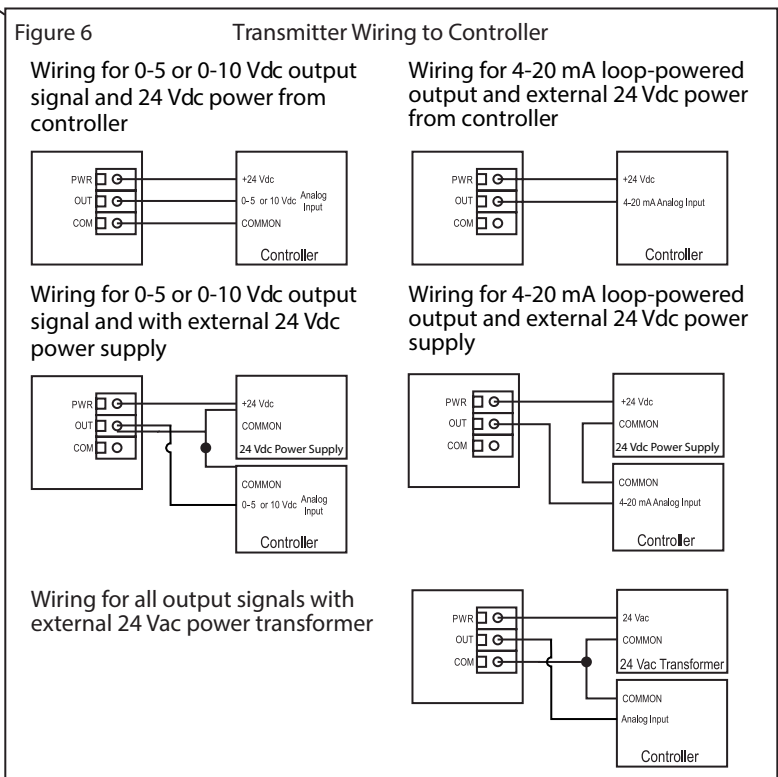
**WIRING**

- Deactivate the 24 Vac/dc power supply until all connections are made to the device to prevent equipment damage.
- Use 14-22 AWG shielded wiring for all connections and do not locate the device wires in the same conduit with wiring used to supply inductive loads such as motors. Make all connections in accordance with national and local codes.
- The temperature transmitter comes with the temperature sensor pre-wired to the transmitter board. If removal is required for installation then it may be re-wired as shown in Figure 5.
- Pull at least six inches of control wire into the enclosure, then complete the wiring connection according to the wire diagram for the applicable power supply and output signal type as shown in Figure 6.
- Connect the DC positive or the AC voltage hot side to the PWR terminal. For voltage output or AC power, the supply Common is connected to the COM terminal. The device is reverse voltage protected and will not operate if connected backwards. It has a half-wave power supply so the supply Common is the same as the signal Common. See Figure 6.
- The analog output is available on the OUT terminal. Check the controller Analog Input to determine the proper connection before applying power as shown in Figure 6.
- Once all connections are made and checked, power can be applied.

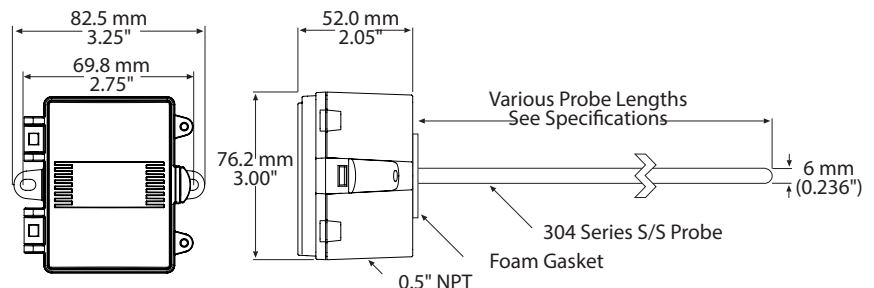


**SPECIFICATIONS:**

Sensor Type: ..... 1000 Ω platinum RTD  
 Sensor Accuracy: ..... ±0.3°C (±0.54°F) @ 0°C (32°F)  
 Probe Sensing Range:..... -40 to 60°C (-40 to 140°F)  
 Wire Material:.....PVC/Kynar, 28 AWG  
 Probe Material:.....304 series Stainless Steel  
 Probe Diameter:.....6 mm (0.236")  
 Standard lengths:.....450, 600, 900 mm (18", 24", 36")  
 Output Signal:.....4-20 mA current loop, 0-5 Vdc, or 0-10 Vdc (factory configured)  
 Transmitter Accuracy:.....±0.1% of span, including linearity  
 Output Drive @ 24 Vdc:.....Current: 600 Ω maximum  
 Voltage: 10 KΩ minimum  
 Maximum Output (Voltage):.....Limited to <5.5 Vdc for 0-5 Vdc, <10.5 Vdc for 0-10 Vdc  
 Input Voltage Effect:.....Negligible over specified operating range  
 Protection Circuitry:.....Reverse voltage protected and output limited  
 Ambient Operating Range:.....-40 to 60°C (-40 to 140°F), 5 to 95 %RH non-condensing  
 Enclosure:.....**A:** ABS, UL94-V0, IP65 (NEMA 4X)  
 .....**E:** Same as A with thread adapter (1/2" NPT to M16), and cable gland fitting  
 Wiring Connections:.....Screw terminal block (14 to 22 AWG)  
 Protection Class: .....III  
 Power Source UL: .....0-5 Vdc: 10-35 Vdc or 10-28 Vac SELV (Class 2)  
 .....0-10 Vdc: 15-35 Vdc or 15-28 Vac SELV (Class 2)  
 .....4-20 mA: 15-35 Vdc (loop-powered) or 22-28 Vac Limited Energy, <15W  
 Consumption: .....Current @ 20 mA  
 .....Voltage @ 5 mA  
 EU Conformity: .....CE  
 Certification: .....UL 60730 & CSA E60730  
 UL 2043 / CSA /  
 ULC S142 Compliant: .....Suitable for Use In Air Handling Spaces in Accordance with Section 300.22, (C) of the National Electrical Code  
 Purpose of Control: .....Operating Control  
 Type of Action: .....Type 1  
 Impulse Voltage: .....330V  
 Pollution Degree: .....2  
 Country of Origin:.....Canada



**DIMENSIONS**



\*This product is factory calibrated and any field adjustment will void the warranty.

PRINTED IN CANADA