

#### INTRODUCTION

The room temperature transmitter is designed for temperature measurement of occupied spaces and utilizes a precision sensor and a transmitter that provides a high accuracy signal with excellent long term stability, low hysteresis and fast response. It is available in various ranges. The transmitter is housed within an attractive, low profile wall mount enclosure.

#### BEFORE INSTALLATION

Read these instructions carefully before installing and commissioning the temperature sensor. Failure to follow these instructions may result in product damage. Do not use in an explosive or hazardous environment, with combustible or flammable gases, as a safety or emergency stop device or in any other application where failure of the product could result in personal injury. **Do not exceed device ratings.**

#### MOUNTING

The room temperature sensor installs directly on an electrical wall box, or can be mounted directly to the wall. The backplate is configured to be compatible with many different electrical box types. The temperature sensor should be mounted five feet from the floor of the area to be controlled. Do not mount the sensor near doors, opening windows, supply air diffusers or other known air disturbances. Avoid areas where the sensor is exposed to vibrations or rapid temperature changes.

Begin by removing the cover. Grasp the bottom of the cover and pull outward from the backplate as shown in Figure 1. Set the cover aside. Do not remove the PCB from the enclosure base.

Feed at least 6 inches of wire through the wall and out of the junction box. Feed connection wires through the center hole on the backplate and the PCB, then secure the backplate to the electrical box or wall with suitable screws (not supplied) as shown in Figure 2. The mounting holes allow for up/down and side to side movement to compensate for unlevel electrical box installation.

Make wire connections as per the "Wiring Illustrations" on Page 2.

Re-install decorative cover by placing the top of the cover into the cover holders on the top of the backplate and snapping the bottom into place.

Two 1/16" Allen Key set screws are provided on the bottom of the enclosure to add security and lock cover in place. To engage, insert Allen Key and turn counter-clockwise 2-3 rotations. As seen in Figure 3.

Figure 1

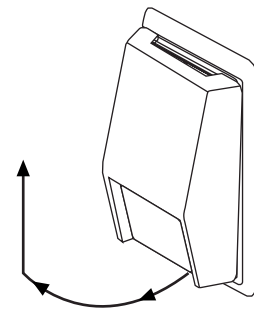


Figure 2

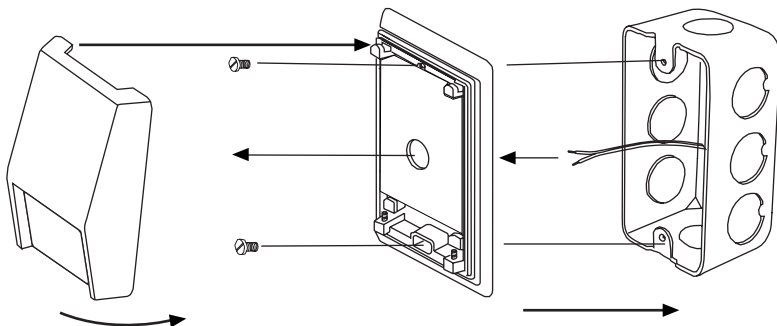


Figure 3

