

8 7 6 5 4 3 2 1

D

C

B

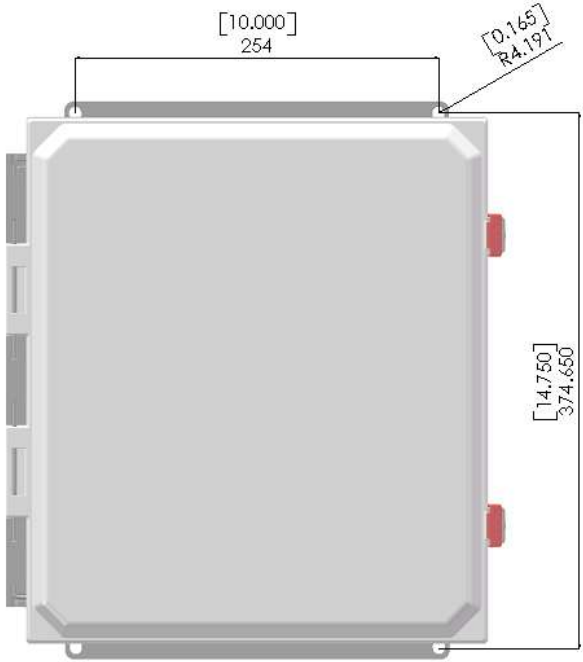
A

D

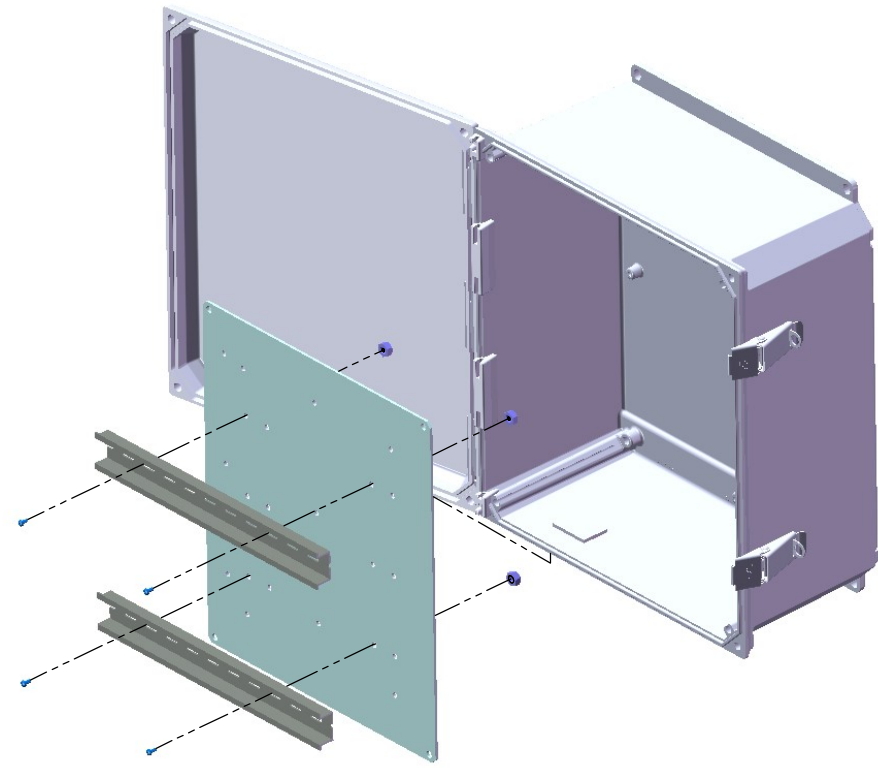
C

B

A



REVISIONS				
ECN	REV.	DESCRIPTION	DATE	APPROVED
1256	A	FIRST RELEASE	2024/10/08	XY



Available Devices to be installed to the IO-Box:

- AI-Box: 8 Channel 4-20mA Input to RS-485 signal
- AO-Box: 8 Channel 4-20mA Output from RS-485 signal
- BI-Box: 4 Channel Switch Input to RS-485 signal
- BO-Box: 4 Channel Relay Output from RS-485 signal
- SKU#: 6500-0025 : 24VDC 1.25A POWER SUPPLY DIN Rail
- SKU#: 6500-0026 : 24VDC 5.0A POWER SUPPLY DIN Rail
- SKU#: 6500-0027 : 24VDC 10A POWER SUPPLY DIN Rail

PROPRIETARY AND CONFIDENTIAL
 THE INFORMATION CONTAINED IN THIS DRAWING IS THE SOLE PROPERTY OF QUATROSENSE ENVIRONMENTAL LTD. ANY REPRODUCTION IN PART OR AS A WHOLE WITHOUT THE WRITTEN PERMISSION OF QUATROSENSE ENVIRONMENTAL LTD IS PROHIBITED.

		UNLESS OTHERWISE SPECIFIED:		NAME	DATE	Greystone Energy Systems Inc. TITLE: IO-BOX, GES Installation Drawing
		DIMENSIONS ARE IN INCHES		XY	24/10/08	
		TOLERANCES:				
		FRACTIONAL ±				
		ANGULAR: MACH ± BEND ±				
		TWO PLACE DECIMAL ±				
		THREE PLACE DECIMAL ±				
		INTERPRET GEOMETRIC TOLERANCING PER:		Q.A.		SIZE DWG. NO. REV B 86550-008-005 A
		MATERIAL		COMMENTS:		
		FINISH				
NEXT ASSY	USED ON	APPLICATION		DO NOT SCALE DRAWING		SCALE: 1:8 WEIGHT: SHEET 1 OF 1

8 7 6 5 4 3 2 1