

#### INTRODUCTION

The high accuracy outside humidity transmitter uses a highly accurate and reliable Thermoset Polymer based capacitance humidity sensor and state-of-the-art digital linearization and temperature compensated circuitry in an weatherproof enclosure to monitor outside humidity levels. Sensors are mounted in a sun and wind shield for more accurate monitoring. An optional high accuracy temperature sensor is also available.

#### BEFORE INSTALLATION

Read these instructions carefully before installing and commissioning the humidity transmitter. Failure to follow these instructions may result in product damage. Do not use in an explosive or hazardous environment, with combustible or flammable gases, as a safety or emergency stop device or in any other application where failure of the product could result in personal injury. **Take electrostatic discharge precautions during installation and do not exceed the device ratings.**

#### MOUNTING

Select a suitable mounting spot on an exterior wall where the outside humidity transmitter is best protected from direct exposure to sunlight, wind, etc. preferably on a North facing wall. Do not mount the sensor near opening windows, supply/exhaust air louvres or other known air disturbances. Avoid areas where the sensor is exposed to vibrations or rapid temperature changes.

The sensor is provided with either a connection hole for 1/2" Conduit or a cable gland fitting. When using conduit, run a length of conduit through exterior wall and seal. Use 14-22 AWG shielded wiring for all connections and do not locate the device wires in the same conduit with wiring used to supply inductive loads such as motors. Make all connections in accordance with national and local codes.

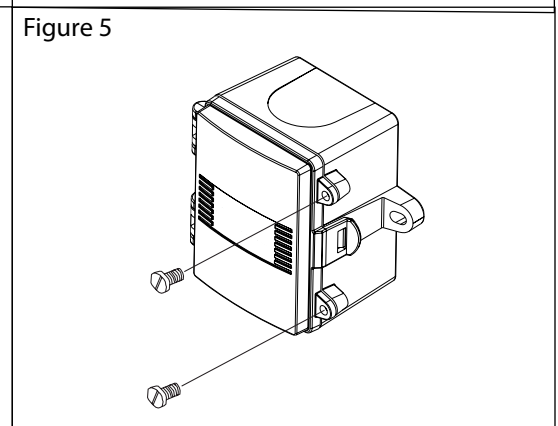
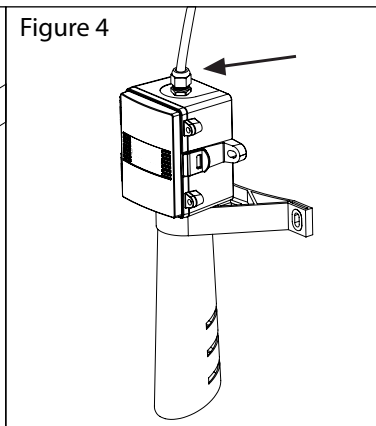
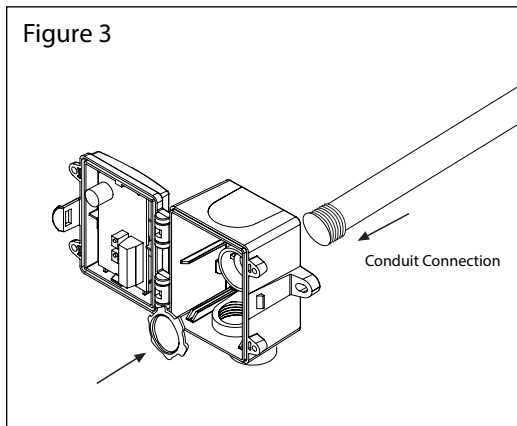
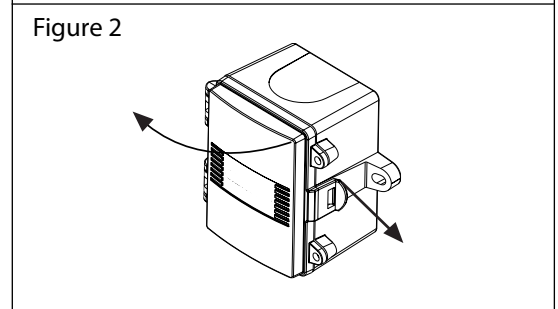
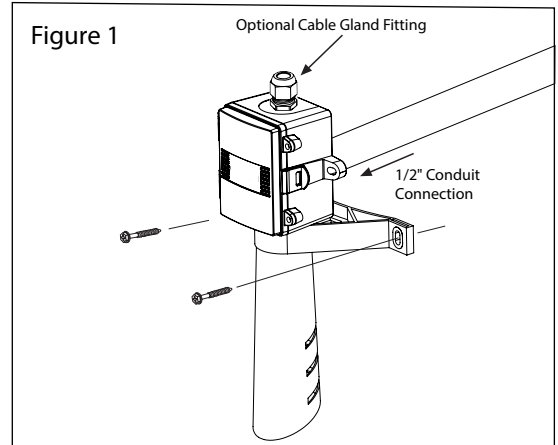
The sensor installs directly on an exterior wall using the two integrated mounting holes provided on the enclosure. Select the best mounting technique based on the exterior wall material. The two mounting holes will facilitate a #10 size screw (not supplied). The sensor fitting must be pointing down. See Figure 1.

The enclosure has a hinged cover with a latch. Open the cover by pulling slightly on the latch on the right side of the enclosure, at the same time pulling on the cover, as illustrated in Figure 2.

When using conduit, feed conduit through the provided hole in the back of the enclosure and secure with a lock nut as shown in Figure 3. It is recommended that weatherproof conduit be used. If using a cable gland connection, feed wiring through the cable gland on the top of enclosure and tighten as shown in Figure 4.

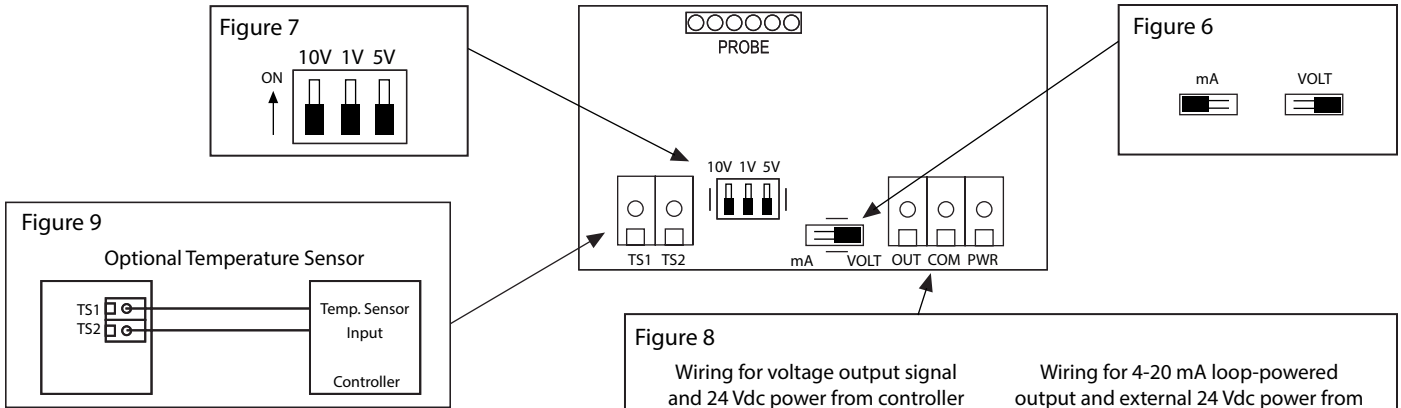
Make wiring connections as per the "Wiring" illustrations on Page 2.

Swing door closed until securely latched. For added security, 2 screws are provided that may be installed in the integrated screw tabs. See Figure 5.



# WIRING

- Deactivate the 24 Vac/dc power supply until all connections are made to the device to prevent electrical shock or equipment damage.
- Use 14-22 AWG shielded wiring for all connections and do not locate the device wires in the same conduit with wiring used to supply inductive loads such as motors. Make all connections in accordance with national and local codes.
- Pull at least six inches of wire into the enclosure, then complete the wiring connection according to the wire diagram for the applicable power supply and output signal type as shown in Figure 8.
- Select desired signal output type (mA or Vdc) by setting switch on PCB to desired output configuration (mA or V) as shown in Figure 6.
- If mA was selected, no further Output set up is required. If VOLT output is selected in Figure 6, Set DIP switch for desired voltage output as shown in Figure 7. Setting one DIP switch to ON position will select the output (10V, 5V or 1V). NOTE: Only one of the Voltage select switches should be in the ON position.
- Connect the DC positive or the AC voltage hot side to the PWR terminal. For voltage output or AC power, the supply Common is connected to the COM terminal. The device is reverse voltage protected and will not operate if connected backwards. It has a half-wave power supply so the supply Common is the same as the signal Common. See Figure 8.
- The analog output is available on the OUT terminal. Check the controller Analog Input to determine the proper connection before applying power as shown in Figure 8.
- If installed, the resistance temperature output is available on the two terminals labeled TS1 and TS2 as shown in Figure 9.
- The RH and Temperature sensor PCB can be field replaced by removing filter at end of Duct Probe. Please refer to the product submittal sheet for replacement sensor selection.



## SPECIFICATIONS

### Relative Humidity

Sensor Accuracy:..... ±1.5% (0 to 80 %RH) or ±2% (0 to 100 %RH)  
 Measurement Range:..... 0 to 100% RH  
 Resolution:..... 0.01% RH  
 Hysteresis:..... ±0.8% RH @ 25°C (77°F)  
 Response Time:..... 8 seconds  
 Stability:..... <0.25% RH/year

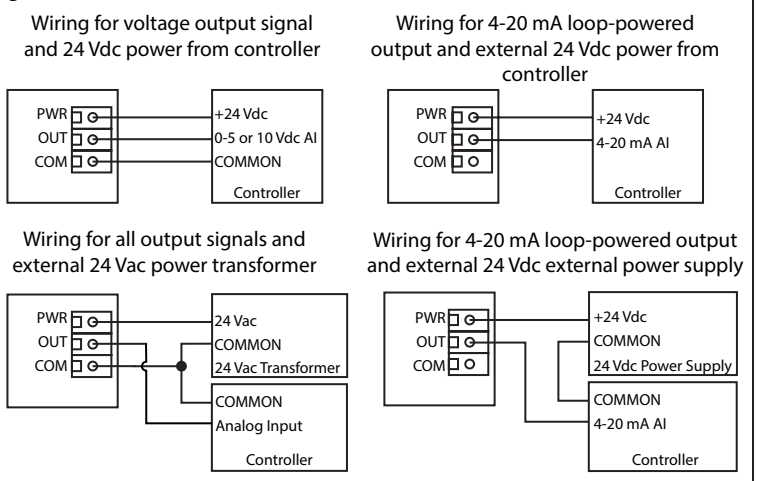
### Optional Temperature Sensor

Sensor Type:..... Platinum RTD 1000 Ω, 385 Alpha @ 0°C  
 NTC Thermistor, 10,000 Ω Type 2/3 or 20,000 Ω @ 25°C  
 Accuracy..... **RTD Class A:** ±0.15°C (±0.27°F) @ 0°C (32°F)  
**RTD 1/3 DIN:** ±0.1°C (±0.18°F) @ 0°C (32°F)  
**RTD 1/10 DIN:** ±0.03°C (±0.054°F) @ 0°C (32°F)  
**Thermistor (39):** ±0.05°C (±0.09°F), 0 to 70°C (32 to 158°F)  
**Thermistor (40/46):** ±0.1°C (±0.18°F), 0 to 70°C (32 to 158°F)  
**Thermistor (55):** ±0.03°C (±0.054°F), 0 to 70°C (32 to 158°F)

### General

Power Supply:..... 24Vac/dc ~ ±10% typical, 28Vac/dc maximum  
 Consumption:..... 22 mA maximum @ 24Vdc  
 Operating Range:..... -40 to 60°C (-4 to 140°F)  
 Output Signal:..... 4-20 mA / 0-1 Vdc, 0-5 Vdc or 0-10 Vdc (field selectable)  
 Output Drive @ 24 Vdc:..... **Current:** 550 Ω max  
**Voltage:** 10K Ω min  
 Probe Material:..... 304 Series stainless steel with porous filter  
 Probe Diameter:..... 12.7 mm (0.5")  
 Sun and Windshield:..... White polycarbonate, vented  
**Dimensions:** 132mm x 38mm (5.19" x 1.5")  
 Enclosures:..... **A:** Polycarbonate - UL94-V0, IP65 (NEMA4X)  
**E:** Same as A, with cable gland fitting  
 Termination:..... Screw terminal block (14, to 22 AWG)  
 Country of Origin:..... Canada

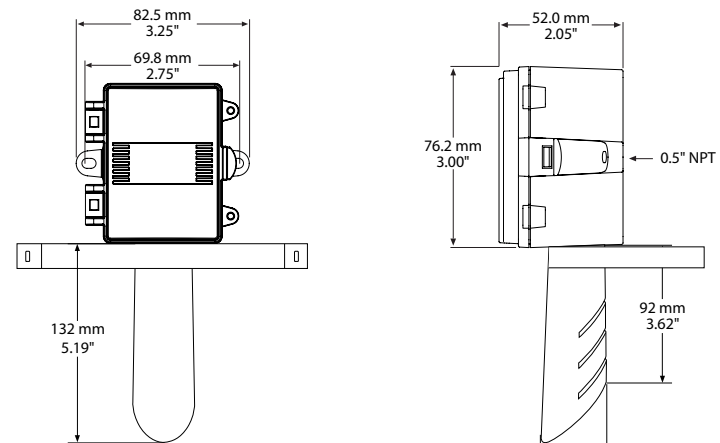
Figure 8



**NOTE:** The temperature sensor accuracies listed in the specifications section apply to the sensing element only prior to product assembly and may not be reflected in the complete assembly.

Due to the measurement uncertainty, it is possible, that the true resistance value of the single delivered sensor at 0°C can be out of the defined tolerance class. Profiling each assembly to take into consideration lead wire and the attachment method should be completed.

## DIMENSIONS



PRINTED IN CANADA