



### INTRODUCTION

The horticulture sensor series uses a precision thermistor to monitor temperature and a thermoset polymer based capacitance sensor to measure humidity levels.

Features include an LCD for configuration and monitoring, various output signal types, optional relays for alarm indication and field replaceable sensors.

### BEFORE INSTALLATION

Read these instructions carefully before installing and commissioning the horticulture sensor. Failure to follow these instructions may result in product damage. Do not use in an explosive or hazardous environment, with combustible or flammable gases, or as a safety or emergency stop device or in any other application where failure of the product could result in personal injury. **Follow electronic discharge precautions during installation and do not exceed the device ratings.**

### MOUNTING

Remove the cover by using a standard or flat screwdriver to loosen the four screws as shown in Figure 1. Complete removal of the screw from the cover is not required as the screws are captive type. The horticulture sensor can be mounted directly onto any wall or flat surface, or may be suspended from the ceiling using the device cable harness which is secured to the enclosure with a compression style fitting.

**For wall mounting**, select a suitable mounting area away from opening windows or doors and avoid areas subject to high vibrations or excessive moisture. Mount the device directly to the flat surface using the four integrated mounting holes that are provided on each corner of the enclosure using #8 size screws (not provided). Ensure the sensor pod is pointing downwards as shown in Figure 2.

After the enclosure is securely mounted to the wall, feed the cable through the cable gland and securely tighten the compression fitting as shown in Figure 3. It is generally easier to prepare the cable by stripping sufficient jacket and wires before feeding the cable through the cable gland.

**For suspension mounting**, feed the cable through the cable gland and securely tighten the compression fitting as shown in Figure 3. Ensure the cable is also securely fastened to the ceiling mount and that the cable length is sufficient for the required location. Attach the winder to the cable by looping the cable through the cable hooks as shown in figure 4. To adjust the height of the sensor unloop the bottom cable from the cable hook, wrap around the spool until desired height is reached and reconnect to bottom cable hook as shown in figure 4. Each wrap around the spool will raise the sensor approximately 17.78 cm (7").



BTL is a registered trademark of BTL Testing Laboratory. BTL is a registered trademark of BTL Testing Laboratory. BTL is a registered trademark of BTL Testing Laboratory. BTL is a registered trademark of BTL Testing Laboratory. BTL is a registered trademark of BTL Testing Laboratory.

Figure 1

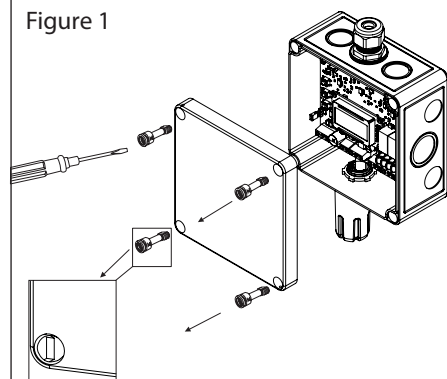


Figure 2

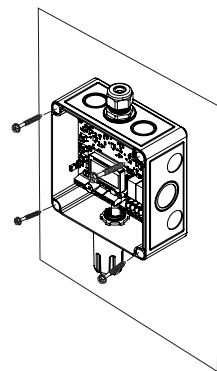


Figure 3

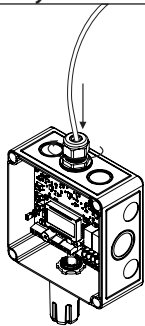


Figure 4

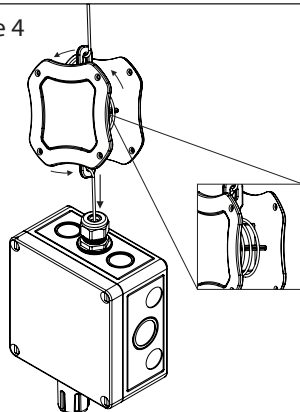
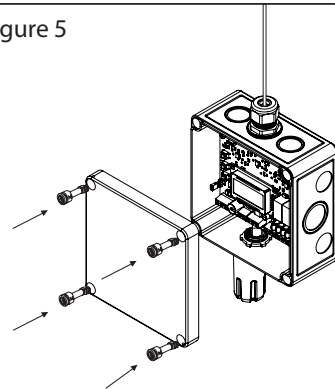


Figure 5



Make wiring connections as per the "Wiring" illustrations. Once the wiring and device setup are complete, re-install the cover and secure with the four screws as shown in Figure 5.

## WIRING

Deactivate the 24 Vac/dc power supply until all connections are made to the device to prevent electrical shock or equipment damage. Follow proper electrostatic discharge (ESD) handling procedures when installing the device or equipment damage may occur. Use 14-22 AWG shielded wire for all connections and do not locate the device wires in the same conduit with wiring used to supply inductive loads such as motors. Pull at least six inches of wire into the enclosure and complete the wiring connection according to the wiring diagram. Make all connections in accordance with national and local codes.

Connect the plus DC or the AC voltage hot side to the POWER terminal and the power supply common is connected to the COMMON terminal. The device is reverse voltage protected and will not operate if connected backwards. It has a half-wave power supply so use caution when wiring multiple devices or when grounding the secondary of a transformer to ensure that the circuit ground point is the same on all devices and the controller. In general, the transformer should NOT be connected to earth ground when using devices with RS-485 network connections.

Connect the RS-485 network with twisted shield pair to the terminals marked A-, B+ and SHLD (shield) as shown in Figure 6. The positive wire connects to B+ and the negative wire connects to A- and the cable shield must be connected to the SHLD terminal of each device. If the device is connected to the end of the network, an end-of-line (EOL) termination resistor (121 ohm) should be installed in parallel with the A- and B+ terminals. This device includes a network termination jumper and will connect the resistor correctly on the PCB. Simply move the PCB jumper to the EOL position as shown in Figure 7 and no external resistor is required. The ground wire of the shielded pair should be connected to earth ground at the end of the network and the master is not grounded. Do not run bus wiring in the same conduit as line voltage wiring.

A network segment is a single shielded wire loop run between several devices (nodes) in a daisy chain configuration. The total segment length should be less than 4000 feet (1220 meters) and the maximum number of nodes on one segment is 127. Nodes are any device connected to the loop and include controllers, repeaters and sensors such as the Horticulture Sensor but does not include the EOL terminators. To install more devices, or to increase the network length, repeaters will be required for proper communication. The maximum daisy chain length (segment) depends on transmission speed (baud rate), wire size and number of nodes. If communication is slow or unreliable, it may be necessary to wire two daisy chains to the controller with a repeater for each segment.

The horticulture sensor may have one or two optional relays installed. The relays are Form C type with both a normally open (NO) and a normally closed (NC) contact. The relay contacts may be connected to controller Digital Inputs (DI) for status monitoring or used to directly control an alarm or ventilation fan. Do not exceed the device contact ratings. In some cases a separate control relay may be used between the horticulture sensor relay and a large fan for example.

Relay terminals are designated NO, COM and NC. Each relay output is independent and isolated from the other and the relays COMs are not connected to the device COMMON.

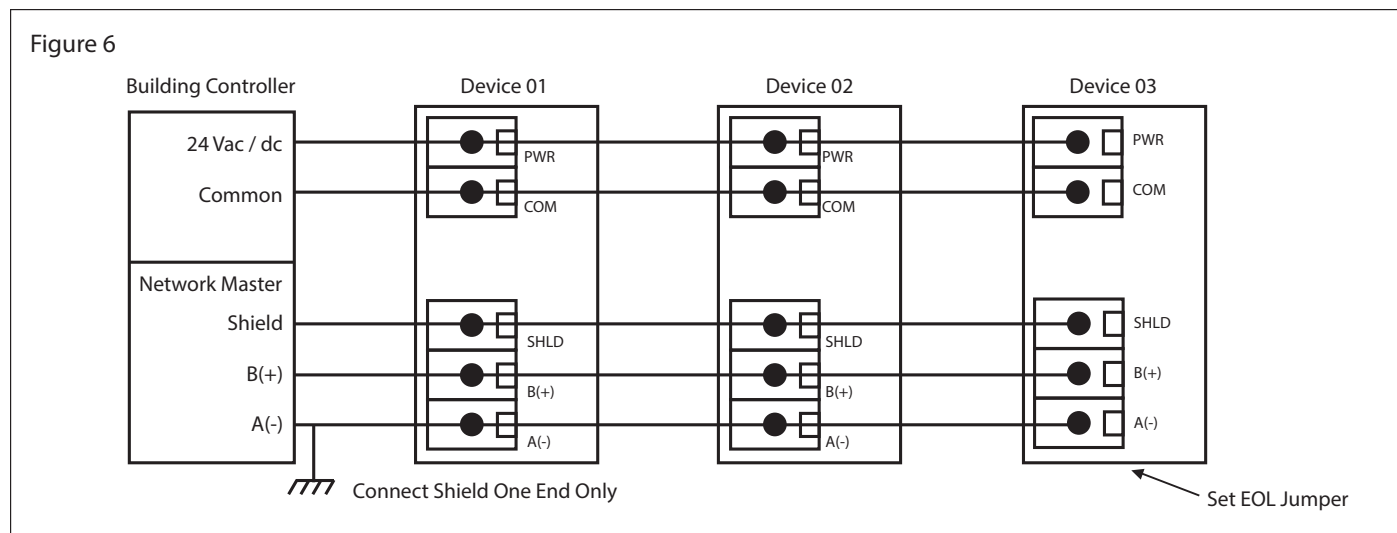


Figure 6

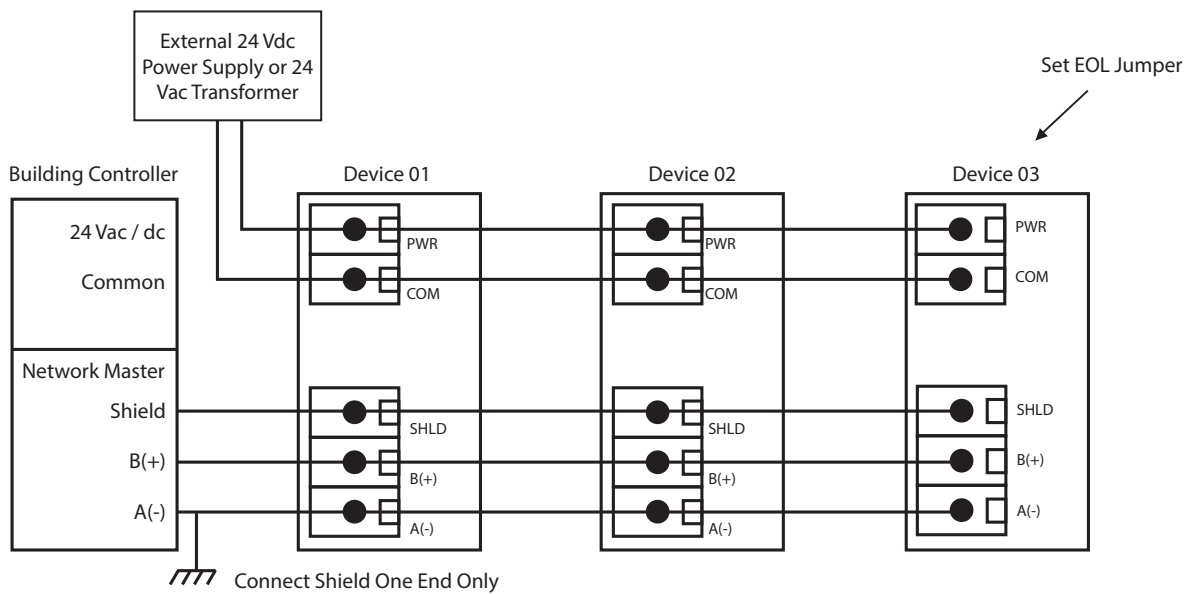


Figure 7

### Network Communication

The device parameters must be set before connection to the network and will ensure that each device has a unique MAC address and Device Instance for startup. On startup, the MAC address is appended to the Device Object : Vendor Identifier to create the unique Device Instance (Device Object : Object Identifier). Once connected to a network, the Device Object : Object Identifier can be written to any unique value via BACnet and then the MAC address will no longer be appended to the value. All parameters are saved in memory. The Setup Menu and LCD are used to set the BACnet

MAC device address (0-127) and the baud rate. The factory defaults are address 3 and 9600 baud. Menu operation is described in detail in the Operation section.

The sensor operates as a slave. It will not communicate unless a master is connected to the network and sends a request for information, then the slave will answer. If the device does not communicate properly, first check that the communication wires are not reversed. Then check that the slave address has a unique setting for the network segment it is connected to. Ensure the device object name and object identifier are unique on the entire BACnet network, not just on the MS/TP sub-net. Both of these properties are writable.

Ensure the application software is not set to poll the devices too frequently. For example, if the software is polling the devices every 500 mS, the network could be heavily congested with the network traffic and may not operate reliably. A slower polling rate such as 5 to 10 seconds will usually produce better results on a typical network segment.

Use care when setting the MS/TP MAC address and the device object Max\_Master property since both can have a significant effect on the network efficiency. Some MAC address and Max\_Master combinations will operate more efficiently than others. MAC addresses should be selected sequentially, starting at the lowest possible value. For example, on a five node segment, the MAC addresses should be set to 1, 2, 3, 4 and 5. In this case, if the Max\_Master property value is left at the 127 default, then there will be a lot of wasted time on the network polling for masters that are not present. In this example, the five Horticulture Sensor nodes should be set such that Max\_Master is equal to 5. The Max\_Master value initially defaults to 127 so that any master can be found when the device first starts.

### Operation - Start-up

After applying power to the device, it will enter the start-up mode and the LCD will indicate the software version number, the output type, the device address and the baud rate for two seconds each. Then the device will start normal operation.



### Operation - Normal

During normal operation, the installed sensor measurements are read and displayed on the LCD. The

BACnet® objects are updated with the appropriate values and alarm conditions are monitored.

The sensor readings are displayed on the LCD depending on the device model and can be configured with the Setup Menu. There are several configurations on how information is displayed, see the Menu section for full details. Example displays are shown below.

Temp  
50.0°C

Humidity  
99.9 %RH

50.0°C  
99.9 %RH

122.0°F  
99.9 %RH

### Operation - Alarms

The device may also have one or two alarm relays installed, depending on the model. Each relay may operate as a high or low alarm and may be assigned to either RH or Temperature. For each alarm assignment, there are default values for the setpoints, hysteresis and time delay. The default values may be changed within limits as required using the Setup Menu or via the network. The details of each setting and operation is explained in the Setup Menu section.

### Operation - Setup Menu

The Setup Menu has several items as shown below. To enter the menu, press and release the <MENU> key while in normal operation. This will enter the Setup Menu step 1, pressing the <MENU> key a second time advances to step 2. Each press of the <MENU> key saves the selection and advances the menu item. The <UP> and <DOWN> keys are used to make changes to program variables by scrolling through the available options.

<MENU> Press and release the <MENU> key to enter the Setup Menu

## 1. MAC Address

BACnet  
MAC 3

Use <UP> or <DOWN> to select a unique slave address from 0-127. The default BACnet® slave address is 3. Hold <UP> or <DOWN> for 1 second to increment quickly.

<MENU> Press to save and advance.

## 2. Baud Rate

BaudRate  
9600

Use <UP> or <DOWN> to select a baud rate of 9600, 19200, 38400, 57600, 76800 or 115200. The default network baud rate is 9600.

<MENU> Press to save and advance.

## 3. Temperature Scale

Temp C/F  
°C

The temperature scale defaults to Celsius (°C). Use <UP> or <DOWN> to change to Fahrenheit (°F).

<MENU> Press to save and advance.

## 4. Temperature Offset

T Offset  
0°C

This item allows calibration of the temperature sensor. Use <UP> or <DOWN> to add an offset to the temperature measurement. -1 subtracts 1 degree from the temperature and +1 adds 1 degree to the temperature. The range is -10 to +10 °F or -5.0 to +5.0 °C. Resolution is 1 °F or 0.5 °C. Units depends on the previous C/F setting and resets to 0° if C/F is changed.

<MENU> Press to save and advance.

## 5. Humidity Offset

*H Offset*  
0 %RH

This item allows calibration of the RH sensor. Use <UP> or <DOWN> to add an offset to the RH measurement. -1 subtracts 1 %RH and +1 adds 1 %RH. The range is -10 to +10 %RH.

<MENU> Press to save and advance.

## 6. Alarm 1

*Alarm 1*  
Temp Hi

Alarm1 assignment defaults to Temp Hi. Use <UP> or <DOWN> to change to Temp Low, RH High or RH Low as required. If the product has the optional relays, then Alarm1 controls Relay1 and Alarm2 controls Relay2.

<MENU> Press to save and advance.

## 7. Alarm 1 Setpoint

*Alrm1 SP*  
30°C / 86°F

The Alarm1 setpoint depends on the Alarm1 assignment set previously as shown in the table. Use <UP> or <DOWN> to change the setting within the limits. Note that a high alarm activates when the measurement exceeds the setpoint and a low alarm activates when the measurement goes below the setpoint.

Alarm 1 Assignment	Default Setpoint	Setpoint Range	Resolution
Temp Hi	30°C / 86°F	10 to 40°C / 50 to 104°F	1°
Temp Low	15°C / 59°F	10 to 40°C / 50 to 104°F	1°
RH High	70 %RH	20 to 90 %RH	5 %RH
RH Low	40 %RH	20 to 90 %RH	5 %RH

<MENU> Press to save and advance.

## 8. Alarm 1 Hysteresis

*Alarm1 Hy*  
2°C / 4°F

The Alarm1 hysteresis depends on the Alarm1 assignment set previously as shown in the table. Use <UP> or <DOWN> to change the setting within the limits. Note that a high alarm resets when the measurement goes below (setpoint - hysteresis) and a low alarm resets when the measurement goes above (setpoint + hysteresis).

Alarm 1 Assignment	Default Hysteresis	Hysteresis Range	Resolution
Temp Hi or Low	2°C / 4°F	1 to 5°C / 2 to 10°F	1°
RH High or Low	10 %RH	5 to 20 %RH	1 %RH

<MENU> Press to save and advance.

## 9. Alarm 1 Delay

*A1 Delay*  
15 Sec

The Alarm1 Delay default is 15 seconds. This is the delay time after alarm conditions are met before an actual alarm is set. This can be used to prevent false alarms. Use <UP> or <DOWN> to change the setting from 0 to 255 seconds.

<MENU> Press to save and advance.

## 10. Alarm 2 Assignment

*Alarm 2*  
Temp Hi

Alarm2 assignment defaults to Temp Hi. Use <UP> or <DOWN> to change to Temp Low, RH High or RH Low as required. If the product has the optional relays, then Alarm1 controls Relay1 and Alarm2 controls Relay2. Use <MENU> to save and advance.

<MENU> Press to save and advance.

## 11. Alarm 2 Setpoint

*Alrm2 SP*  
30°C / 86°F

The Alarm2 setpoint depends on the Alarm2 assignment set previously as shown in the table. Use <UP> or <DOWN> to change the setting within the limits. Note that a high alarm activates when the measurement exceeds the setpoint and a low alarm activates when the measurement goes below the setpoint.

Alarm 2 Assignment	Default Setpoint	Setpoint Range	Resolution
Temp Hi	30°C / 86°F	10 to 40°C / 50 to 104°F	1°
Temp Low	15°C / 59°F	10 to 40°C / 50 to 104°F	1°
RH High	70 %RH	20 to 90 %RH	5 %RH
RH Low	40 %RH	20 to 90 %RH	5 %RH

<MENU> Press to save and advance.

## 12. Alarm 2 Hysteresis

*Alrm2 Hy*  
2°C / 4°F

The Alarm2 hysteresis depends on the Alarm2 assignment set previously as shown in the table. Use <UP> or <DOWN> to change the setting within the limits. Note that a high alarm resets when the measurement goes below (setpoint - hysteresis) and a low alarm resets when the measurement goes above (setpoint + hysteresis).

Alarm 2 Assignment	Default Hysteresis	Hysteresis Range	Resolution
Temp Hi or Low	2°C / 4°F	1 to 5°C / 2 to 10°F	1°
RH High or Low	10 %RH	5 to 20 %RH	1 %RH

<MENU> Press to save and advance.

## 13. Alarm 2 Delay

*A2 Delay*  
15 Sec

The Alarm2 Delay default is 15 seconds. This is the delay time after alarm conditions are met before an actual alarm is set. This can be used to prevent false alarms. Use <UP> or <DOWN> to change the setting from 0 to 255 seconds.

<MENU> Press to save and advance.

## 14. Display

*Display*  
All

Use <UP> or <DOWN> to set the LCD display information to All, RH, Temp, RH-Temp, or None. All means RH/T. None means no measurements are normally displayed but the start-up mode and menus are still displayed. The factory default is All.

<MENU> Press to save and advance.

## 15. Backlight

*Backlite*  
Auto

Use <UP> or <DOWN> to set the LCD backlight to On, Off or Auto. When On the LCD backlight is always on, when Off it never lights and if set to Auto it lights for a time period (30 seconds) whenever a key is pressed. Even if set to Off, the backlight will light during the start-up mode. In Auto mode, the backlight will remain lit whenever a menu is open. The factory default is Auto.

<MENU> Press to save and advance.

# SPECIFICATIONS:

## General Specifications

Power Supply .....	24 Vac/dc $\pm 20\%$ (non-isolated half-wave rectified)
Consumption .....	75 mA max @ 24 Vdc, 125 mA max @ 24 Vac
Protection Circuitry.....	Reverse voltage protected, overvoltage protected
Operating Conditions .....	-10 to 50°C (14 to 122°F), 5 to 95 %RH non-condensing
Storage Conditions .....	-30 to 60°C (-22 to 140°F)
Wiring Connections.....	Screw terminal block (14 to 22 AWG)
Enclosure .....	IP65 (NEMA 4X) 130 mm W x 130 mm H x 75 mm D (5.12" x 5.12" x 2.95") <b>Cable Winder:</b> 130mm W x 160mm H x 66mm D (5.12" x 6.29" x 2.59")
Country of Origin.....	Canada

## LCD Display

Size.....	35 mm x 15 mm (1.4" x 0.6") alpha-numeric 2 line x 8 characters
Backlight.....	Enable or disable via menu or BACnet®

## BACnet®

Interface.....	MS/TP, 2 wire RS-485
Baud Rate .....	9600, 19200, 38400, 57600, 76800, or 115200
Address Range.....	0 to 127

## Temperature Signal

Sensing Element.....	10K thermistor, $\pm 0.2^\circ\text{C}$ ( $\pm 0.4^\circ\text{F}$ )
Accuracy .....	$\pm 0.2^\circ\text{C}$ ( $\pm 0.4^\circ\text{F}$ )
Range.....	0 to 50°C (32 to 122°F)

## RH Signal

Sensor .....	Thermoset polymer based capacitive
Accuracy .....	$\pm 2\%$ RH
Range.....	0 to 100 %RH
Hysteresis .....	$\pm 1.5\%$ RH
Response Time .....	15 seconds typical
Stability .....	$\pm 1\%$ RH typical @ 50 %RH in 5 years

## Relay Outputs (Optional)

Contact Ratings.....	Form C contact (N.O. + N.C.), 2 Amps @ 140 Vac, 2 Amps @ 30 Vdc
Relay Setpoint & Hysteresis .....	Programmable via menu or BACnet®
Relay Time Delay.....	Programmable via menu or BACnet®

## NETWORK SETUP GUIDE

The network setup guide describes the implementation of the BACnet® protocol. It is intended to assist control system programmers who may need to add support to their systems to communicate with this device.

BACnet® setup guide download is available online.



### BACnet® PROTOCOL

<http://downloads.greystoneenergy.com/Website%20Documents/GH/SG-GHXXXBAC.pdf>

# DIMENSIONS

