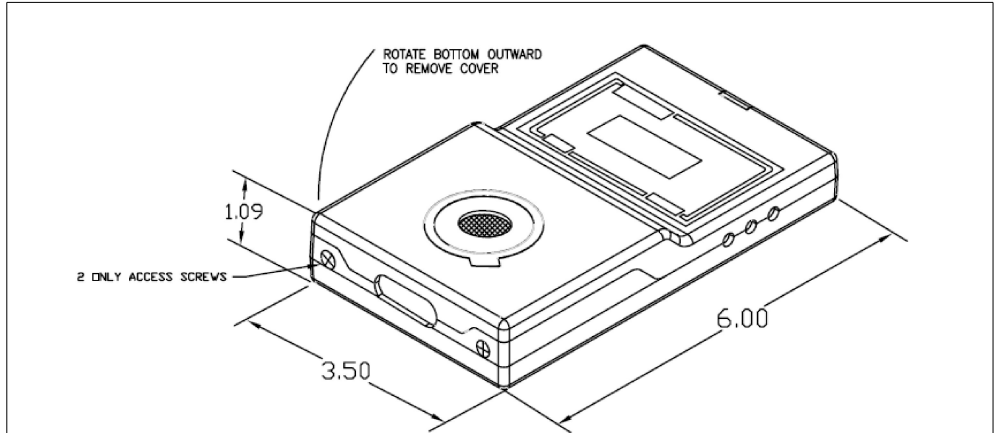


8 7 6 5 4 3 2 1

REVISIONS				
ECN	REV.	DESCRIPTION	DATE	APPROVED
1265	A	FIRST RELEASE	2024-11-27	XY

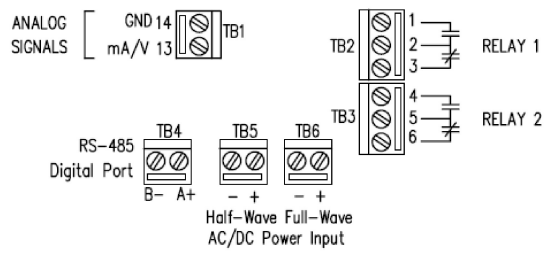


Specification:	
<b>Power Supply</b>	Voltage: 24VDC nominal, range 18 to 30VDC 24VAC nominal, range 15 to 24VAC 50/60HZ Current: Less than 100 mA operation Allow 250mA turn-on surge.
<b>Signal Output</b>	RS-485 with QEL Controller OptoMux protocol 4-20mA or 2-10VDC linear
<b>Sensor</b>	Electrochemical Sensor
<b>Environment</b>	Temperature: -20°C to 40°C Humidity: 0 – 99%RH non-condensing
<b>Transmitter Mounting</b>	Wall Mounting: Mount holes fit standard Switch Box
<b>Cable Entry</b>	From back of enclosure 94 V-0
<b>Enclosure</b>	ABS Plastic Fire Retardant Color: Pantone – Cool Grey 2U
<b>Relays</b>	2 Relays SPDT, Dry contacts, Relay1 to Relay2 Resistive load: 0.3A max at 125VAC 1.0A max at 30VDC
<b>Buzzer</b>	55dB at 10 feet, 2700HZ
<b>Wire Connector</b>	TB1, TB2, TB3: Screw type for lead wire. Size: Min. 26AWG, Max. 16AWG TB4, TB5, TB6: Pluggable Terminal Block Size: Min. 24AWG, Max. 12AWG

Sensor Selection Table

Code	Gas	Symbol	Ranges			Mounting Heights
			Signal Range Standard	Signal Range Maximum	Display Range	
130	Oxygen	O2	25%	25%	25%	4–6 Ft (1.5–2m)
150	Nitrogen Dioxide	NO2	6 PPM	10 PPM	10 PPM	0–2 Ft (0–0.5m)
160	Carbon Monoxide	CO	125	125	125	4–6 Ft (1.5–2m)
220	Ammonia	NH3	50	50	50	0–2 Ft (0–0.5m) From Ceiling

WIRING CONNECTIONS:



RS-485 End-of-Line Terminator (Default is disabled)

JP2: Pin 1-2: Disabled  
JP2: Pin 2-3: Enabled

**PROPRIETARY AND CONFIDENTIAL**  
THE INFORMATION CONTAINED IN THIS DRAWING IS THE SOLE PROPERTY OF QUATROSENSE ENVIRONMENTAL LTD. ANY REPRODUCTION IN PART OR AS A WHOLE WITHOUT THE WRITTEN PERMISSION OF QEL IS PROHIBITED.

UNLESS OTHERWISE SPECIFIED:		NAME	DATE	Greystone Energy Systems Inc.
DIMENSIONS ARE IN INCHES		XY	2024-11-27	
TOLERANCES:		CHECKED		TITLE: <b>M5-II, GES INSTALLATION DRAWING</b>
FRACTIONAL: $\pm$		ENG APPR.		
ANGULAR: MACH $\pm$ BEND $\pm$		MFG APPR.		
TWO PLACE DECIMAL $\pm$		Q.A.		
THREE PLACE DECIMAL $\pm$		COMMENTS:		
INTERPRET GEOMETRIC TOLERANCING PER:				
MATERIAL				
FINISH				
NEXT ASSY	USED ON			
APPLICATION		DO NOT SCALE DRAWING		

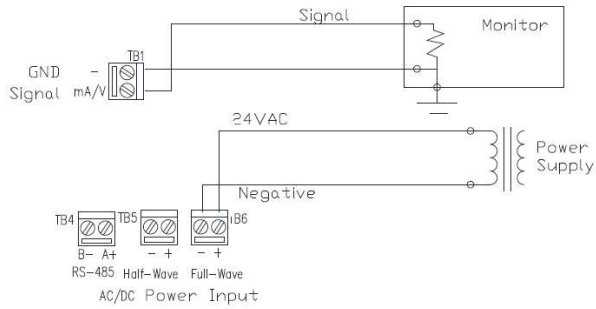
SIZE	DWG. NO.	REV
<b>B</b>	83850-102-005	<b>A</b>
SCALE: 1:2	WEIGHT:	SHEET 1 OF 5

8 7 6 5 4 3 2 1

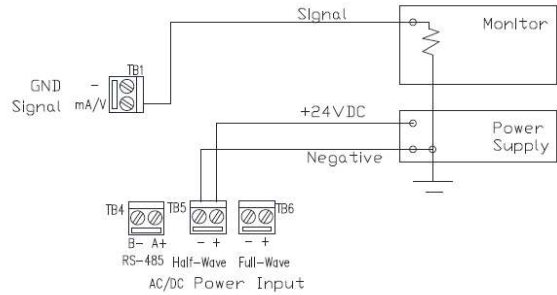
8 7 6 5 4 3 2 1

REVISIONS				
ZONE	REV.	DESCRIPTION	DATE	APPROVED
-	-	See Sheet1	-	-

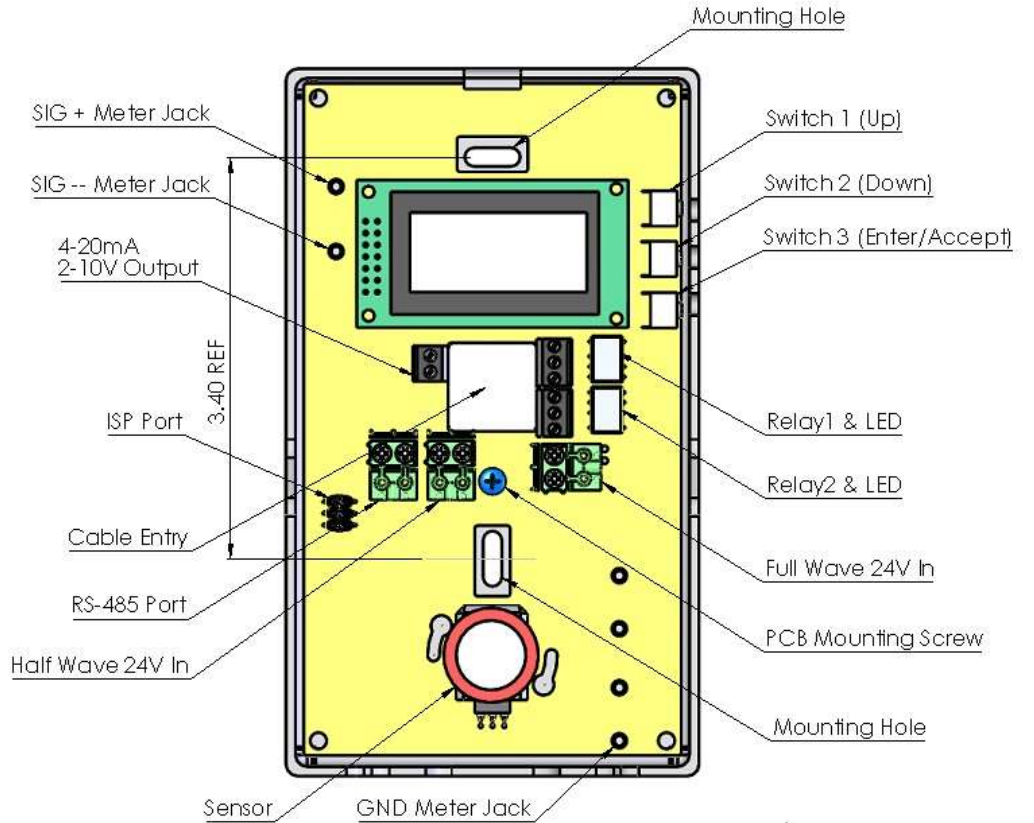
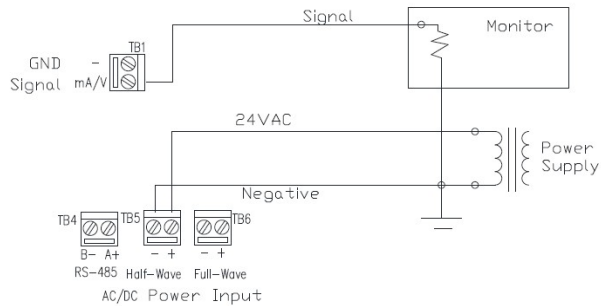
### Analog Signal + Floating AC Supply



### Analog Signal + DC Supply



### Analog Signal + Gounded AC Supply



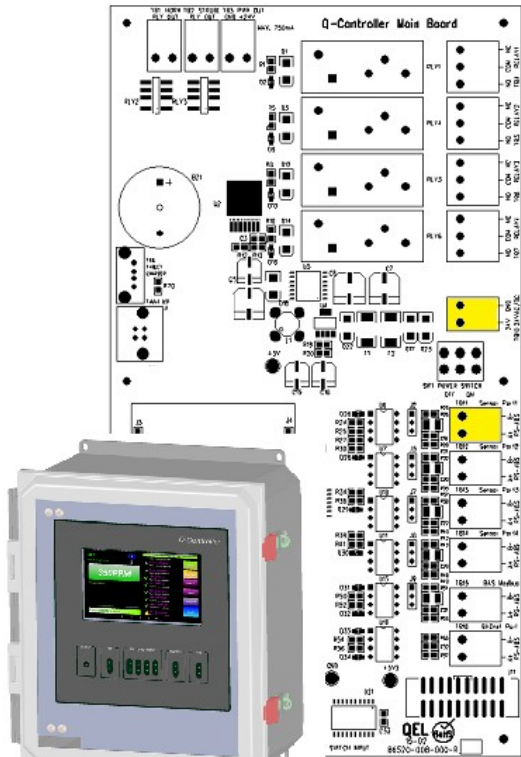
**PROPRIETARY AND CONFIDENTIAL**  
 THE INFORMATION CONTAINED IN THIS DRAWING IS THE SOLE PROPERTY OF QUATROSENSE ENVIRONMENTAL LTD. ANY REPRODUCTION IN PART OR AS A WHOLE WITHOUT THE WRITTEN PERMISSION OF QEL IS PROHIBITED.

UNLESS OTHERWISE SPECIFIED:		NAME	DATE	Greystone Energy Systems Inc.	
DIMENSIONS ARE IN INCHES		DRAWN		TITLE:	
TOLERANCES:		CHECKED		M5-II, GES	
FRACTIONAL: $\pm$		ENG APPR.		INSTALLATION DRAWING	
ANGULAR: MACH $\pm$ BEND $\pm$		MFG APPR.		SIZE DWG. NO. REV	
TWO PLACE DECIMAL $\pm$		Q.A.		<b>B</b> 83850-102-005 <b>A</b>	
THREE PLACE DECIMAL $\pm$		COMMENTS:		SCALE: 1:2 WEIGHT: SHEET 2 OF 5	
INTERPRET GEOMETRIC TOLERANCING PER:	MATERIAL				
FINISH	APPLICATION	DO NOT SCALE DRAWING			
NEXT ASSY	USED ON				

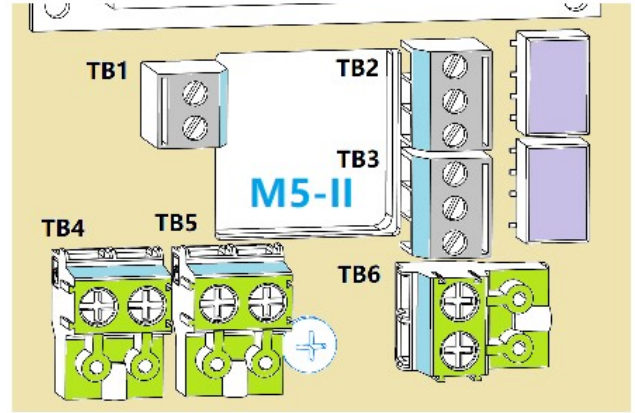
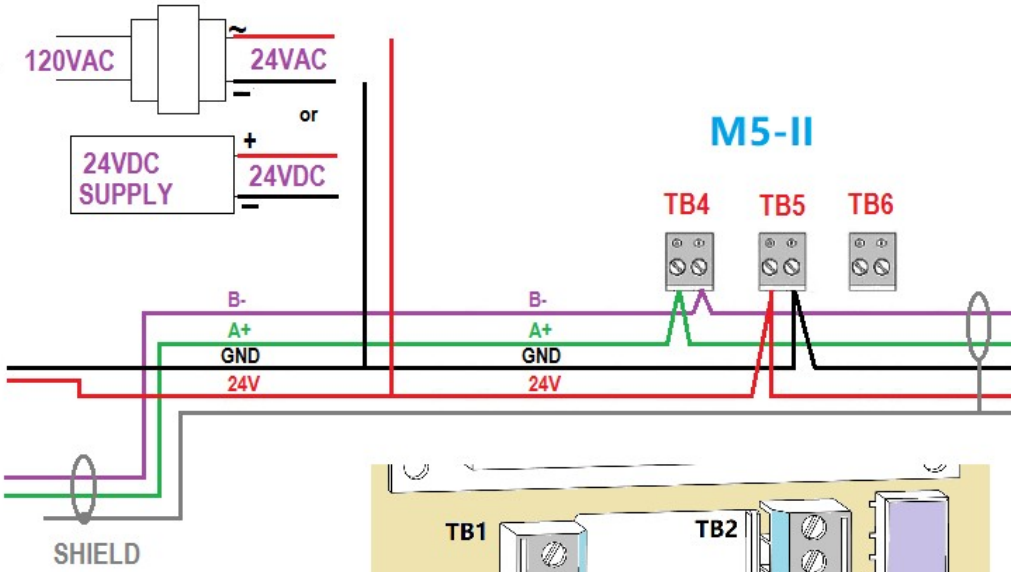
8 7 6 5 4 3 2 1

# M5 and Q-Controller RS-485 Connection with 24VAC/DC power supply

REVISIONS				
ZONE	REV.	DESCRIPTION	DATE	APPROVED
-	-	See Sheet1	-	-



**Q-Controller**



D  
C  
B  
A

D  
C  
B  
A

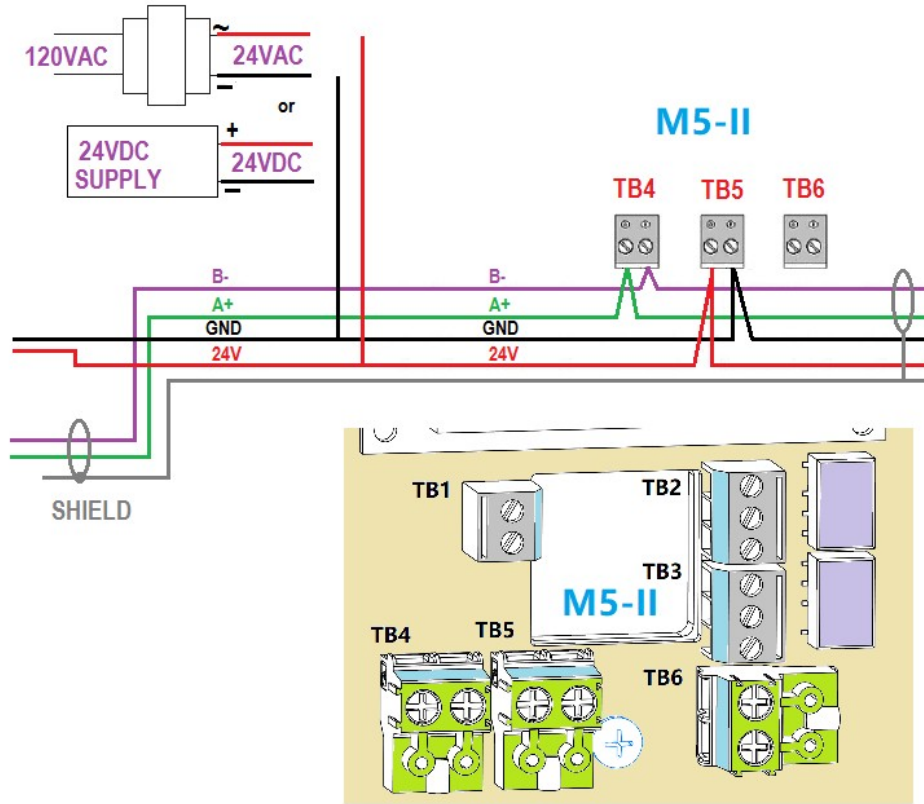
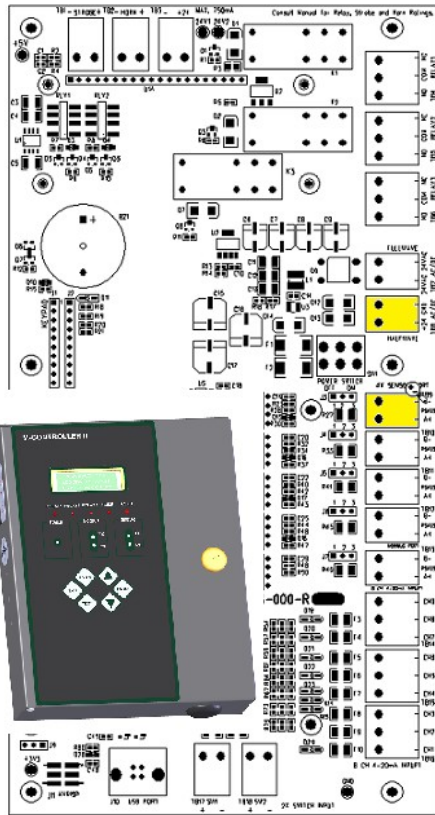
**PROPRIETARY AND CONFIDENTIAL**

THE INFORMATION CONTAINED IN THIS DRAWING IS THE SOLE PROPERTY OF QUATROSENSE ENVIRONMENTAL LTD. ANY REPRODUCTION IN PART OR AS A WHOLE WITHOUT THE WRITTEN PERMISSION OF QEL IS PROHIBITED.

		UNLESS OTHERWISE SPECIFIED:	NAME	DATE	Greystone Energy Systems Inc.	
		DIMENSIONS ARE IN INCHES	DRAWN			TITLE: <b>M5-II, GES INSTALLATION DRAWING</b>
		TOLERANCES:	CHECKED			
		FRACTIONAL ±	ENG APPR.			
		ANGULAR: MACH ± BEND ±	MFG APPR.			
		TWO PLACE DECIMAL ±	Q.A.			
		THREE PLACE DECIMAL ±	COMMENTS:			
		INTERPRET GEOMETRIC TOLERANCING PER:				
		MATERIAL				
		FINISH				
NEXT ASSY	USED ON				SIZE DWG. NO. REV <b>B</b> 83850-102-005 <b>A</b>	
APPLICATION	DO NOT SCALE DRAWING				SCALE: 1:2 WEIGHT: SHEET 3 OF 5	

# M5 and M-Controller RS-485 Connection with 24VAC/DC power supply Through Half-Wave Rectifier TB

REVISIONS				
ZONE	REV.	DESCRIPTION	DATE	APPROVED
-	-	See Sheet1	-	-



		UNLESS OTHERWISE SPECIFIED:		NAME	DATE	Greystone Energy Systems Inc.	
		DIMENSIONS ARE IN INCHES		DRAWN		TITLE:	
		TOLERANCES:		CHECKED		M5-II, GES	
		FRACTIONAL ±		ENG APPR.		INSTALLATION DRAWING	
		ANGULAR: MACH ± BEND ±		MFG APPR.		SIZE DWG. NO. REV	
		TWO PLACE DECIMAL ±		Q.A.		<b>B</b> 83850-102-005 <b>A</b>	
		THREE PLACE DECIMAL ±		COMMENTS:		SCALE: 1:2 WEIGHT: SHEET 4 OF 5	
		INTERPRET GEOMETRIC TOLERANCING PER:					
		MATERIAL					
		FINISH					
NEXT ASSY	USED ON	APPLICATION		DO NOT SCALE DRAWING			

4

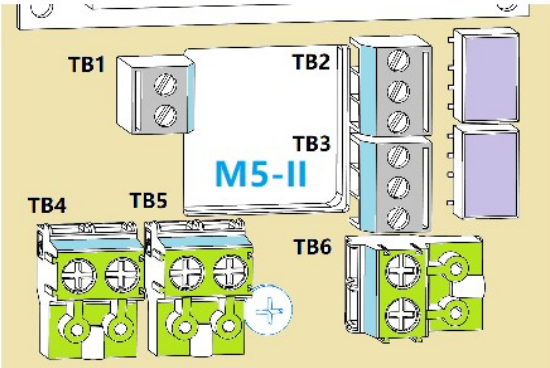
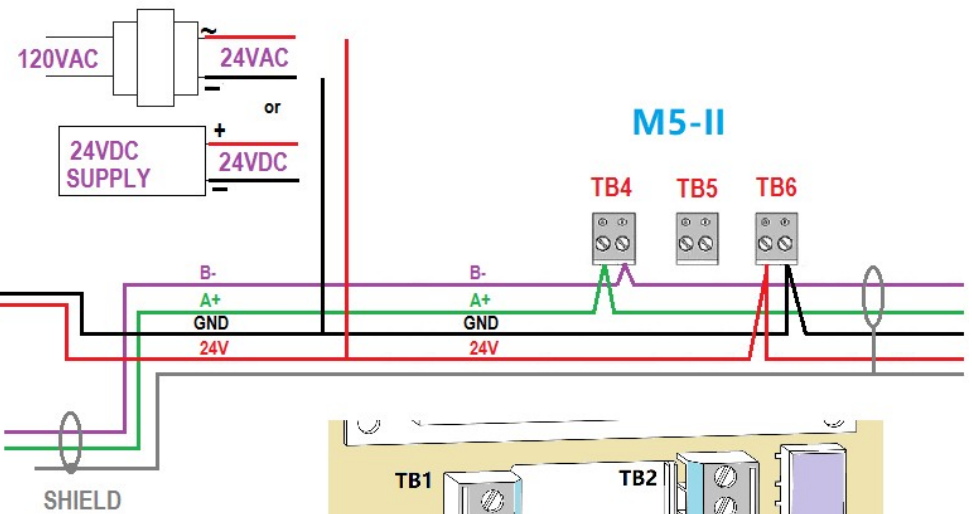
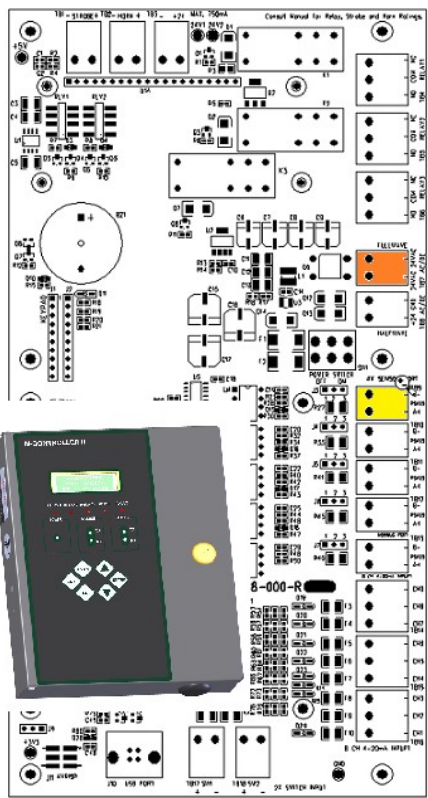
3

2

1

### 24VAC/DC Power to all Full-wave rectifier circuit TB (Floating Ground is recommended)

REVISIONS				
ZONE	REV.	DESCRIPTION	DATE	APPROVED
-	-	See Sheet 1	-	-



**PROPRIETARY AND CONFIDENTIAL**  
 THE INFORMATION CONTAINED IN THIS DRAWING IS THE SOLE PROPERTY OF <INSERT COMPANY NAME HERE>. ANY REPRODUCTION IN PART OR AS A WHOLE WITHOUT THE WRITTEN PERMISSION OF <INSERT COMPANY NAME HERE> IS PROHIBITED.

		UNLESS OTHERWISE SPECIFIED:	NAME	DATE	Greystone Energy Systems Inc.	
		DIMENSIONS ARE IN INCHES TOLERANCES: FRACTIONAL: ± ANGULAR: MACH ± BEND ± TWO PLACE DECIMAL ± THREE PLACE DECIMAL ±	DRAWN			TITLE:
		INTERPRET GEOMETRIC TOLERANCING PER:	CHECKED		M5-II, GES Installation Drawing	
		MATERIAL	ENG APPR.			SIZE DWG. NO.
		FINISH	MFG APPR.			83850-102-005
NEXT ASSY	USED ON	DO NOT SCALE DRAWING	Q.A.		REV	
APPLICATION			COMMENTS:		A	
				SCALE: 1:2	WEIGHT:	SHEET 5 OF 5

4

3

2

1

B

B

A

A