

INTRODUCTION

The CR3 Series Cleanroom Monitor was developed specifically to allow for monitoring of confined spaces with accuracy and reliability.

The CR3C features analog inputs for connecting remote sensors for monitoring temperature, humidity and pressure (remote sensors not included). The CR3C is available with output signal of either Analog, BACnet[®] or Modbus. Standard features include adjustable alarm relays for each parameter, audible/visual alarms, and large LED displays.

The CR3C is housed in a flush fitting stainless-steel front plate that enables the user to wipe down the unit when necessary.

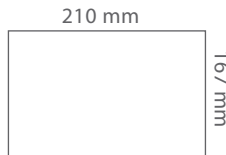
BEFORE INSTALLATION

Read these instructions carefully before installing and commissioning the cleanroom monitor. Failure to follow these instructions may result in product damage. Do not use in an explosive or hazardous environment, with combustible or flammable gases, as a safety or emergency stop device or in any other application where failure of the product could result in personal injury. Take electrostatic discharge precautions during installation and do not exceed the device ratings.

MOUNTING

STEP 1 - As illustrated in Figure 1, unscrew four screws from faceplate, set screws aside, and remove faceplate from mounting bracket.

Cut hole in wall 210 mm x 167 mm high. Ensure unit can be secured to wall stud or equivalent on at least two sides.



STEP 2 - As illustrated in Figure 2, feed wires through mounting bracket and conduit connector/cable gland and secure.

STEP 3 - As illustrated in Figure 3, insert mounting bracket into hole in wall.

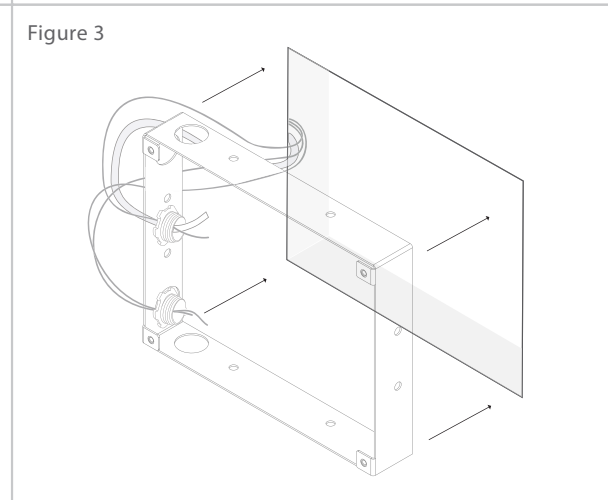
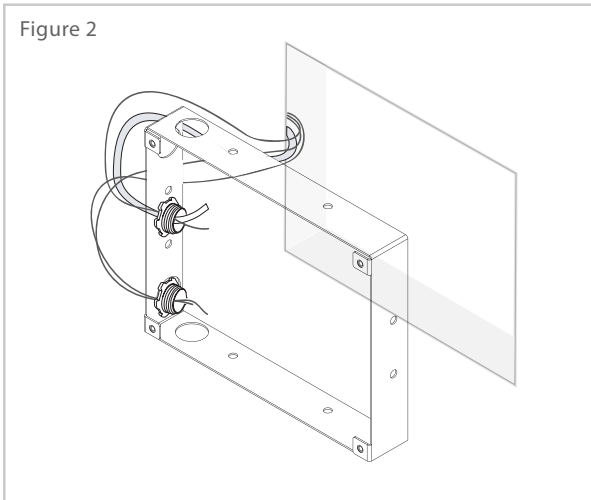
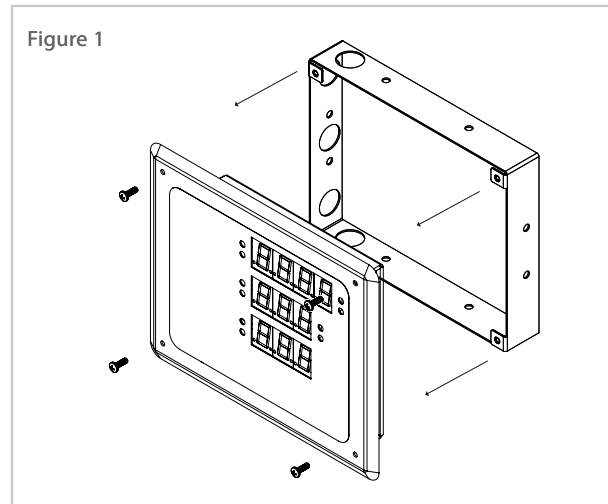


Figure 4

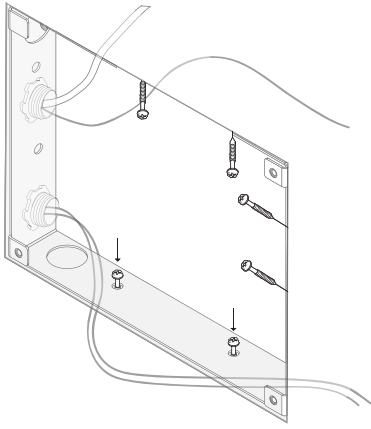


Figure 5

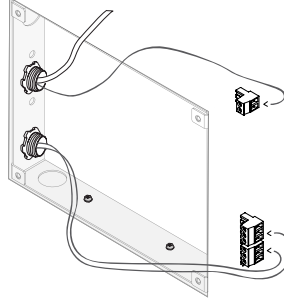
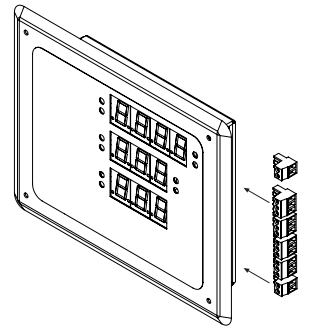


Figure 6

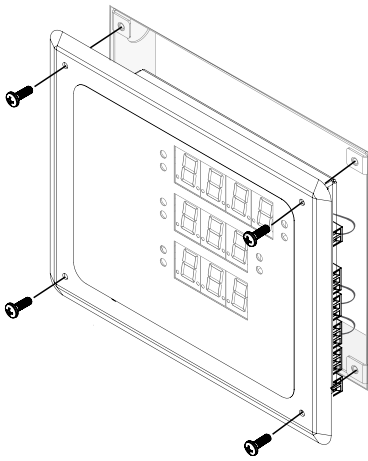


STEP 4 - As illustrated in Figure 4, insert screws (not included) to secure mounting bracket to studs.

STEP 5 - Remove connectors from packaging box. As illustrated in Figure 5, connect wires to wiring terminals. Refer to wiring section for terminal identification.

STEP 6 - Match wiring terminals to the labels on the back cover and re-insert the wiring terminals into the unit. As illustrated in figure 6.

Figure 7



STEP 7 - As illustrated in Figure 7, secure faceplate to mounting bracket with supplied screws. Route wires to prevent pinching when installing unit into wall mounting bracket.

WIRING

- Deactivate the 24 Vac/dc power supply until all connections are made to the device to prevent electrical shock or equipment damage.
- Follow proper electrostatic discharge (ESD) handling procedures when installing the device or equipment damage may occur.
- Use 22 AWG wiring for all connections and do not locate the device wires in the same conduit with wiring used to supply inductive loads such as motors.
- Make all connections in accordance with national and local codes.

Connect the 24 Vac/dc power supply to the terminals labeled PWR +(power) and - (common) as shown in Figure 9. This device has a half-wave type power supply so use caution when wiring multiple devices so that the circuit ground point is the same on all devices and the controller. Use caution if 24 Vac power is used and one side of the transformer is earth-grounded. In general, the transformer should NOT be connected to earth ground when using devices with RS-485 network connections. The device is reverse voltage protected and will not operate if connected backwards. Figure 10 shows network connections. For end of Line (EOL) device place termination resistor jumper in ON position, for all other devices, place jumper in OFF position.

Figure 9

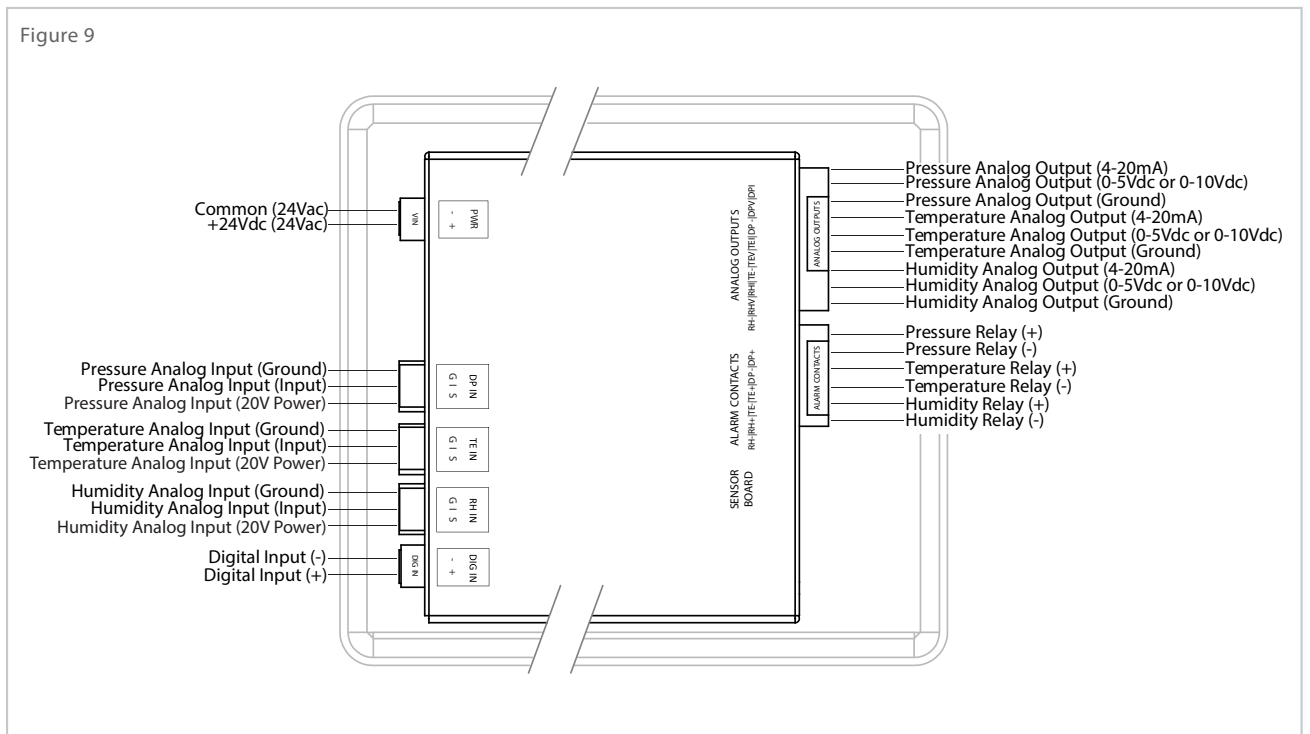
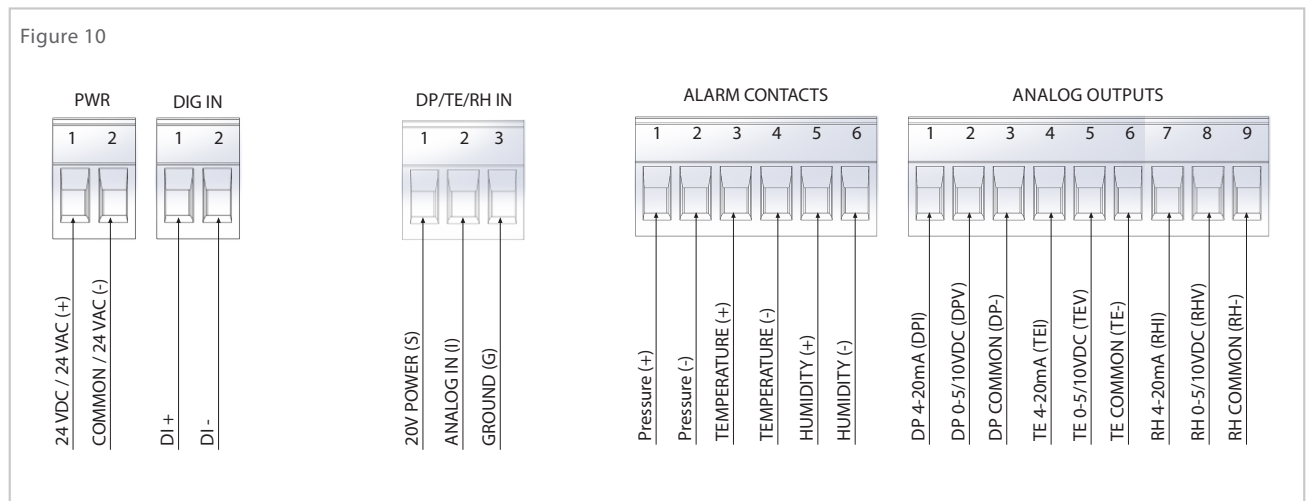


Figure 10



ALARM RELAYS

The device has three alarm relay outputs. The outputs are Normally Open and will close when an alarm event occurs. The alarm outputs are assigned to TEMP, RH and DP.

Each alarm can be set to operate as a low alarm, a high alarm, both low and high alarms or be disabled.

For example:

The TEMP Alarm output can be configured as a high alarm by setting TEMP Alarm Operation to High Alarm. In this case the alarm condition will be set when the temperature exceeds the TEMP Alarm High Setpoint. Note that alarm hysteresis and alarm on delay will also come into play, described below.

The RH Alarm output can be configured as both low and high alarms by setting RH Alarm Operation to Both. In this case the alarm condition will be set when the RH goes above the RH Alarm High Setpoint or below the RH Alarm Low Setpoint.

If any ALARM OPERATION is set to Disable, then that alarm will have no function and the setpoints will be hidden on the menu.

Each alarm has a hysteresis value and an on delay time associated with it. For high alarms, the alarm condition is set when the input value exceeds the high setpoint and it is reset when the input value goes below the setpoint – hysteresis value. For example, if the TEMP ALARM HIGH SETPOINT = 25.0 °C and TEMP ALARM HYSTERESIS = 0.5 °C, then the alarm condition will set at 25.0 °C and reset at 24.5 °C.

The hysteresis is opposite for TEMP ALARM LOW SETPOINT. The alarm condition will set when the input value falls below TEMP ALARM LOW SETPOINT and will reset when the input goes above TEMP ALARM LOW SETPOINT + HYSTERESIS.

Each alarm also has a configurable on delay. When an alarm condition is set a timer is started and the actual alarm will not get set until the ALARM ON DELAY time has expired. If the alarm condition gets reset before the time expires, then no alarm is generated.

All three alarm relays operate as self-resetting and non-latching. The input signal must return to non-alarm condition before the alarm relay returns to the NO state.

ALARM SETPOINTS

Each process variable (TEMP, RH and DP) has both a high and low alarm setpoint. If the alarms are enabled and the setpoint is not locked, then the user can change the setpoint values within a range.

ALARM LEDS

The TEMP, RH and DP each have a low and high alarm condition. When any alarm condition is set the corresponding front panel LED will flash. The alarm LEDs mimic the alarm relays. If any alarm is disabled, then the LED will be disabled also.

BUZZER ALARM

The buzzer alarm can be assigned to any of the TEMP, RH or DP alarms specifically, or it can be assigned to all of them. It can be disabled via BUZZER ASSIGNMENT.

If assigned, the buzzer will activate whenever the associated alarm(s) are triggered.

The buzzer reset can be configured as either manual only or automatic reset with BUZZER RESET.

In manual mode the buzzer can only be silenced by:

- removing the alarm condition or
- by pressing the front panel <SILENCE> key

In automatic reset mode the buzzer can be silenced by:

- removing the alarm condition or
- by pressing the front panel <SILENCE> key or
- automatically when the BUZZER AUTO RESET TIME expires

The buzzer is reset or silenced as described above but the alarm condition will continue to be set, this function only silences the buzzer. If the alarm condition is reset and then set again, the buzzer will activate again. The buzzer provides a “beeping” or “chirping” sound, not a continuous tone.

DIGITAL INPUT

The digital input signal allows detection of a dry-contact type input change. This input could be connected to a door switch, remote nurse station silence switch, occupancy sensor etc.

The actual program function of the DI can be set with DIGITAL INPUT FUNCTION. The input may be disabled to have no internal program function, or it may be used as a remote alarm silence with the same function as the front panel <SILENCE> key, or it may be used as a door freeze function.

The door freeze function can be used to prevent alarms and fast ramps of the analog output when a door is opened. In this mode, if a digital input from a door switch is detected, then the operation of the device freezes. This means that no alarms will be generated and the analog outputs are held at the last value before the door open occurred. The device will sit in this state until the door closes again. There is a small delay of 10 seconds to allow the room to stabilize again after the door is closed.

ANALOG OUTPUTS

There are three analog output signals to represent TEMP, RH and DP. Select desired output via installer menu for current (4-20 mA) or voltage output signals. If the analog outputs are set for voltage output, then the signal type can be set to either 0-5 Vdc or 0-10 Vdc via the Installer Menu. All outputs will set for the same type.

The direction of the analog output signals may be reversed by using the TEMP OUT DIRECTION (for example) Installer Menu item. This means that the output signal will be 5-0 V or 20-4 mA instead of 0-5 V or 4-20 mA.

ANALOG INPUTS

The AI objects or registers for TEMP, RH and DP indicate the current value of the temperature, relative humidity and differential pressure measurements. Depending on the model type, these values either come from the on-board or remote sensors, or from remote transmitters connected to the analog inputs.

The actual hardware analog inputs will accept either 0-5 Vdc, 0-10 Vdc or 4-20 mA input signal types from remote transmitters. The input type is field selectable via the Installer Menu or over the network and the input signals are calibrated digitally for < 0.25 % span error during factory calibration.

Both TEMP and RH have network variables to set an offset for field calibration. These apply to both the on-board sensors and remote transmitter values. The DP sensor has an auto-zero function initiated by DP AUTO ZERO or via the Installer Menu. There is no offset to apply to a remote DP transmitter, calibration must occur at the remote DP transmitter itself.

To accommodate different transmitter types, the input scale may be set in the installer menu. For example, the AI temperature range may be selected as either 0-35 or 0-50 °C. The pressure range can be configured in the menu to allow various external pressure transmitters to work with product. The pressure range can be set between -500Pa and +500Pa or -50 and 50mmWc. Example if the pressure sensor is a 0 to 60Pa sensor, the CRC unit can be configured to display 0 to 60Pa based on 0-5Vdc or 4-20mA input. Minimum range will be 0-10Pa or 0-1.0mmWc.

The TEMP, RH and DP values each have response time variable associated with them. They can be set for fast or slow response. For fast response there is a minimum amount of digital filtering applied to the measurements so that the sensors react quickly to changes. The response can be changed to slow which applies a longer period of filtering to the measurement and will slow down the sensor reaction to large changes. The difference between fast and slow should be about 5 times.

MIN MAX VALUES

The program maintains the minimum and maximum value of each sensor value. The values may be displayed via the User Menu and may also be reset via the User Menu.

MISCELLANEOUS

The displays (and associated alarm LEDs) for each process variable may be turned off if necessary using the Installer Menu items such as TEMP DISPLAY.

Display brightness may be changed from high to low using DISPLAY BRIGHTNESS via the User Menu.

OPERATION

Start up





When power is first applied to the device, a specific sequence of events occurs to test the displays plus indicate certain parameters.

The sequence is as follows:

- Test all LEDs – all LEDs light for 2 seconds and then turn off
- Test all display segments – all display segments light for 2 seconds and then turn off
- Display version # - display "1.00" on one of the displays for 2 seconds
- Display selected protocol – display "Prot bAC" or "Prot bUS"
- Display address - display "Addr 003"
- Display baud rate - display "bAUd 9600"
- Buzzer beeps 2 times
- Begin normal operation

FRONT PANEL KEYS

There are 4 front panel buttons:

-  <UP> Used to increase parameter values within a menu.
-  <DOWN> Used to decrease parameter values within a menu.
-  <MENU> In normal operation, pressing this button accesses the User Menu and then is used to step through the menu items. The button is disabled if USER MENU LOCK is set.
-  <SILENCE> Used to silence the buzzer if it is active.

INSTALLER MENU

The Installer Menu is accessed by pressing and holding the <UP> and <DOWN> buttons in normal operation at the same time for 5 seconds. This menu is used in the field to configure parameters such as the analog output type, etc.

The following parameters are available to be changed. Some items will not be available depending on other settings.

NOTE : To change a previous setting, return to the initial install menu.

1. Analog Output Type
(Current or Voltage)

curr

curr, volt (Default = curr)

o o

out

2. Volt Output Scale

volt

(Only if voltage selected)

out

5 o o

5 or 10 (Default = 5)

3. Analog Input Type
(default = current)

C U R R
.
.
.
.
.
.
.
.
I N

4. Volt Input Scale
(only if voltage selected)

U O L T
.
.
.
.
.
.
.
.
I N
S . .

(default = 5 volt)

5. TEMP Display

d i s P
.
.
.
.
.
.
.
.
t E
o n

on, oFF (Default = on)

6. RH Display

d i s P
.
.
.
.
.
.
.
.
r h
o n

on, oFF (Default = on)

7. dP Display

d i s P
.
.
.
.
.
.
.
.
d P
o n

on, oFF (Default = on)

8. Temperature Offset

t E . .
o F F
.
.
.
.
.
.
0 . 0

(Default = 0.0 °C)

(Resolution = 0.5 °C / 1 °F)

9. RH Offset

r h . .
o F F
.
.
.
.
.
.
0 0

(Default = 0)

10. DP Auto Zero

d P . .
.
.
.
.
.
.
.
c A L

(only if DP within 10% range)

11. TEMP Sensor Response Time

r E s P
.
.
.
.
.
.
.
.
t E
F A S

(Default = FASt)

12. RH Sensor Response Time

r E s P
.
.
.
.
.
.
.
.
r h
F A S

(Default = FASt)

13. dP Sensor Response Time

r E s P
.
.
.
.
.
.
.
.
d P
F A S

(Default = FASt)

14. TEMP Analog Output Direction
(direct or reverse)
- o u t .
t e .
d i r . (Default = dlr)
15. RH Analog Output Direction
(direct or reverse)
- o u t .
r h .
d i r . (Default = dlr)
16. DP Analog Output Direction
(direct or reverse)
- o u t .
d p .
d i r . (Default = dlr)
17. TEMP Analog Input Range
(input scaling)
- A i n .
t e .
5 0 . (Default = 50C)
18. DP Analog Input Range
(input scaling, Pa)
- A i n .
d p .
2 5 0 . (Default = 250)
19. Buzzer Assignment
(TEMP, RH, DP, disable or all)
- b u z z .
A S S .
d P . (Default = dP)
20. Buzzer Reset Mode
(manual or auto-reset)
- b u z z .
r s e .
A u t . (Default = AUt)
21. Buzzer Auto Reset Time
(Resolution = 1 sec)
- b u z z .
1 5 .
S e c . (Default = 15 sec)
22. Digital Input Function
(disable, freeze or silence)
- d I L n .
F u n .
d i s . (Default = disable)
23. TEMP Alarm Operation
(low, high, both, disable)
- A L A r .
t e .
d i s . (Default = disable)
24. RH Alarm Operation
(low, high, both, disable)
- A L A r .
r h .
d i s . (Default = disable)

DP Alarm Operation
(low, high, both, disable)

A.L.A.R.

d.P.

b.o.t

(Default = both)

25. Setpoint Lock
(lock or unlock)

S.E.T.

u.n.

(Default = Un LOC)

L.o.c.

26. User Menu
(lock or unlock)

u.S.E.r.

(Default = Un LOC)

u.n.

L.o.c.

USER MENU

The User Menu is accessed by pressing the <MENU> key. This menu is used in the field to configure parameters such as alarm setpoints. The User Menu may be locked so it cannot be accessed in the field, but can be unlocked via BACnet®, Modbus or the Installer menu if necessary using USER MENU LOCK.

If the User Menu is unlocked, then the following parameters are available to be changed. If SETPOINT LOCK is set, then the setpoints can be viewed but not changed.

1. Temperature Units

u.n.i.t.

t.e.

c. f.

C F (Default = C)

2. Pressure Units
(Pascal or mmWc)

u.n.i.t.

d.p.

p.a.

PA, StA (Default = PA)

Not available if **STEP 23** in Installer Menu was set disabled "dis"

3. TEMP Alarm Low Setpoint

t.e.s.p.

(Resolution = 1°)

L.o.

15.

(Default = 15C or 59F)

4. TEMP Alarm High Setpoint

t.e.s.p.

(Resolution = 1°)

h.i.

25.

(Default = 25C or 77F)

5. TEMP Alarm Hysteresis

t.e.h.y.

(Resolution = 0.1°)

02.

.c.

(Default = 0.2 °C or 0.4 °F)

6. TEMP Alarm On Delay

t.e.d.l.

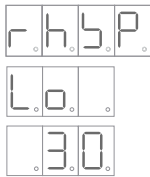
(Resolution = 1 sec)

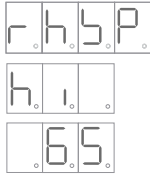
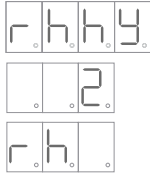
5.

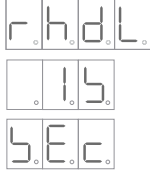
s.e.c.

(Default = 5 sec)

Not available if **STEP 24** in Installer Menu was set disabled "dis"

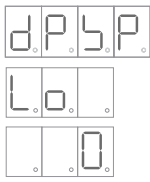
- | | | |
|--------------------------------------|---|---|
| 7. RH Alarm Low Setpoint
(RHALS) |  | (Resolution is 1 %RH)

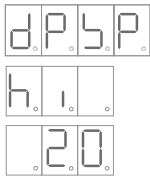
5 to 60% RH |
| 8. RH Alarm High Setpoint
(RHAHS) |  | (Resolution is 1 %RH) |
| 9. RH Alarm Hysteresis
(RHHY) |  | (Resolution = 0.1°)

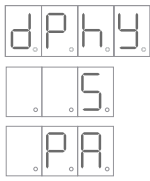
(Default = 0.2 °C or 0.4 °F) |
| 10. RH Alarm On Delay |  | (Resolution = 1 sec)

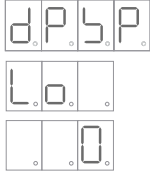
(Default = 5 sec) |

Not available if **STEP 25** in Installer Menu was set disabled "dis"

- | | | |
|---|---|---|
| 11. DP Alarm Low Setpoint |  | (Resolution is 10 Pa or 1 mmWc)

(Default = 0 Pa) |
| <i>When Pa units selected, setpoint value displayed has been divided by 10.</i> | | |
| 12. DP Alarm High Setpoint |  | (Resolution is 10 Pa or 1 mmWc)

(Default = 200 Pa) |
| <i>When Pa units selected, setpoint value displayed has been divided by 10.</i> | | |
| 13. DP Alarm Hysteresis |  | (Resolution is 10 Pa or 1 mmWc)

(Default = 5 Pa) |
| 14. DP Alarm Low Setpoint |  | (Resolution is 10 Pa or 1 mmWc)

(Default = 0 Pa) |

Note: Resolution 10Pa or 1mmWc for 110-500Pa or 11.0 -50.0mmWc range.
Resolution 1Pa or 0.1mmWc for 0-100Pa or 0.0-10.0mmWc range.

DP Analog Input Low Range = L
DP Analog Input High Range = H
S=H-L.

Δ = DP Alarm High Setpoint - DP Alarm Low Setpoint

DP Alarm Low Setpoint

- min=L
- max=H - S/10, Δ not applicable

15. TEMP Minimum Value

d.P.5.P.

(Resolution is 0.1°C)

h.i.

(displays minimum recorded temperature)

20.

(Default = 200 Pa)

Note: Resolution 10Pa or 1mmWc for 110-500Pa or 11.0-50.0mmWc range.

Resolution 1Pa or 0.1mmWc for 0-100Pa or 0.0-10.0mmWc range

DP Alarm High Setpoint

- min=-L + S/10, Δ>=S/10
- max=H

16. TEMP Maximum Value

t.e.h.i.

(Resolution is 1Pa or 0.1 mmWC)

.

(displays maximum recorded temperature)

2.5.2.

(Default = 5 Pa)

Note: DP Alarm Hysteresis= 0 to S/10 Pa/mmWc

17. RH Minimum Value

r.h.l.0.

(Resolution is 1 Sec)

.

(displays minimum recorded RH)

127.

18. RH Maximum Value

r.h.h.i.

(Resolution is 1%RH)

.

(displays maximum recorded RH)

131.

(Default = 10 Sec)

19. DP Minimum Value

d.P.l.0.

(Resolution is 1 Pa or 1 mmWc)

.

(displays minimum recorded differential pressure)

0.

20. DP Maximum Value

d.P.h.i.

(Resolution is 1 Pa or 1 mmWc)

.

(displays maximum recorded differential pressure)

0.

21. Min Max Reset

h.i.

(Pressing <SILENCE> resets the min max values)

l.0.

(Pressing <Menu> to exit user menu)

r.5.

22. Display Brightness

d.s.p.y.

b.r.t.

h.i.

(Default = Hi)

Note that only the setpoints that are configured will be shown. For example, if TEMP ALARM OPERATION is set for High Alarm only, then the TEMP Alarm Low Setpoint will not be shown.

Note that the setpoint resolution is limited when setting with the menu, but higher resolution is available via the network.

SPECIFICATIONS

GENERAL

Operating Conditions	0 - 50 °C (32 - 122 °F), 0 - 90 %RH non-condensing
Storage Temperature	-20 - 60 °C (-4 - 140 °F)
Power Supply	24-30 Vdc / 20-26 Vac
Power Consumption	200 mA max
Wiring Connections	Pluggable screw terminal block (14 to 22 AWG)
Pressure Connections	Port for 1/8" ID tubing

Enclosure - Wall Mount:
SS304, suitable for wipe-down.
225mm wide x 182.5mm high x 36mm deep.
(8.86" x 7.19" x 1.46")

Enclosure - Remote Sensor Plate:
70mm wide x 115mm high x 45mm deep
(2.76" x 4.53" x 1.77")

Weight 1.3 kg
Certification CE, RoHS

ANALOG INPUTS FOR REMOTE SENSORS

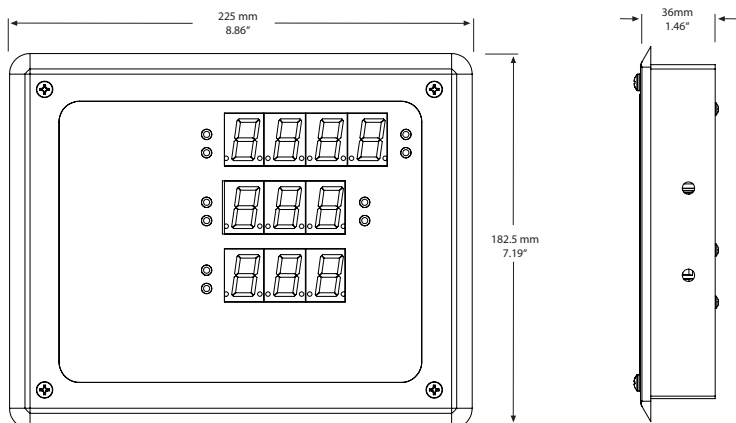
Signal Type	4-20 mA / 0-5 Vdc / 0-10 Vdc selectable
Number of Inputs	3 (Temp, RH, DP)
Input Impedance	250 Ω for 4-20 mA, 10KΩ for voltage
Input Ranges	0-35/0-50 °C, 0-100 %RH, ± 500 Pa (min range = 1-10 Pa, resolution = 10Pa or ± 50mmWc. Configurable. Low range and high range are configurable with +/- 10Pa or +/-1.0mmWc resolution
Transmitter Power Output	20Vdc nominal, 100 mA max

NOTE: The pressure range can be configured in the menu to allow various external pressure transmitters to work with product. The pressure range can be set between -500Pa and +500Pa or -50 and 50mmWc. Example if the pressure sensor is a 0 to 60Pa sensor, the CRC unit can be configured to display 0 to 60Pa based on 0-5Vdc or 4-20mA input. Minimum range will be 0-10Pa or 0-1.0mmWc

INDICATION

Temperature Display	3 digit LED as 0.0-50.0°C or 32.0-122°F (°C / °F is indicated by an LED)
Relative Humidity Display	3 digit LED as 0.0-99.9%RH
Differential Pressure Display	3 1/2 digit LED display as -500-500 Pa or -50.0-50.0 mmWc (Pa / mmWc is indicated by an LED)
Digit Type	7 segment red LED, 0.80" (20.32 mm) high
Alarm Indication	Low/High alarm red LED for each

DIMENSIONS



USER INPUT

Programming	Menu/Up/Down front panel tactile buttons
Alarm Silence	Silence front panel tactile buttons

ANALOG OUTPUTS

Signal Type	4-20 mA (sourcing) and 0-5 Vdc / 0-10 Vdc selectable
Number of Outputs	3 (Temp, RH, DP)
Output Drive	500 Ω max for 4-20 mA, 10 KΩ min for voltage
Output Scales	0-50 °C, 0-100 %RH, ± 500 Pa

ALARM OUTPUTS

Number of Outputs	3 (Temp, RH, DP) can assign condition as low/high/both
Output Type	NO optically isolated solid state FET switch
Contact Rating	100 mA at 28 Vac / 40 Vdc maximum
Trip Point	Upper and Lower alarms adjustable over a range
Alarm Delay Operation	0 to 255 seconds (programmable) Self-resetting, non-latching
Alarm Buzzer	Internal, operates on any alarm condition
Buzzer Delay	0-255 seconds (programmable)
Buzzer DB Operation	70db at 30cm Self-resetting, can be silenced via button or disabled remotely

COMMUNICATION

Hardware	Isolated 2-wire RS-485 MS/TP
Software	Modbus RTU or BACnet®
Baud Rate	9600, 19200, 38400, 57600, 76800 or 115200
Address Range	1-255 for Modbus, 0-127 for BACnet®