

SOLID CORE SAFE CURRENT TRANSFORMERS UCT Series

The UCT Series of solid core current transformers provide a low voltage (0.333V) output proportional to line current. These are often referred to as "Safe CT's", the mV output eliminates the need for shorting switches. The rugged epoxy encapsulated construction comes with 8-foot twisted leads. These low-cost current transformers are ideal as inputs to power monitors, such as the WHT200.

SPECIFICATIONS:

Primary.....5A to 400A, 250A to 5000A
 Secondary.....0 - 0.333 Vac
 Frequency.....50 to 10,000 Hz
 Insulation Class.....600V
 Accuracy.....±1%; Accuracy at 10% to 130%
 of rated current
 Lead Wires.....2.43 m (8') twisted pair leads
 Weight.....0.18 kg (0.4 lb)
 Approvals.....CE, UL recognized File #E96927
 RoHS Statement.....Yes

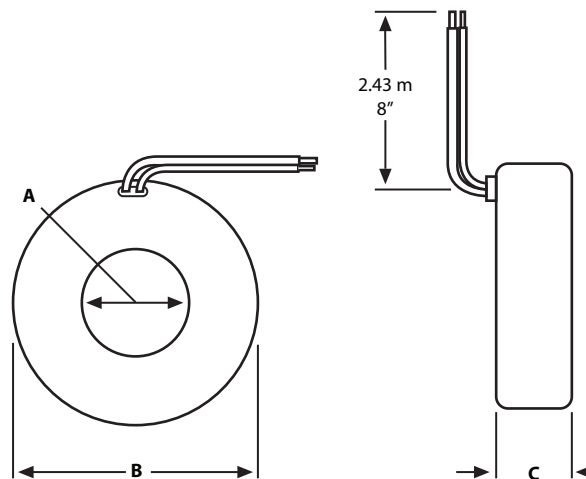


DIMENSIONS:

Model	Dimensions mm (in)		
	A	B	C
UCT-0300	7.6 (0.30)	43.18 (1.70)	19.05 (0.75)
UCT-1000	25.4 (1.0)	60.96 (2.40)	20.32 (0.80)
UCT-1250	31.75 (1.25)	68.58 (2.70)	20.32 (0.80)

PRODUCT SELECTION INFORMATION:

MODEL UCT	
PART CODE	CURRENT RATIO
UCT-0300-005	5 A:0.333 Vac
UCT-1000-050	50 A:0.333 Vac
UCT-1250-100	100 A:0.333 Vac
UCT-1250-150	150 A:0.333 Vac
UCT-1250-200	200 A:0.333 Vac
UCT-1250-250	250 A:0.333 Vac
UCT-1250-300	300 A:0.333 Vac
UCT-1250-400	400 A:0.333 Vac



Greystone Energy Systems, Inc. reserves the right to make design modifications without prior notice.

Greystone Energy Systems, Inc. (506) 853-3057 Fax: (506) 853-6014
 150 English Drive, Moncton, North America: 1-800-561-5611
 New Brunswick, Canada E1E 4G7 e-mail: mail@greystoneenergy.com
 www.greystoneenergy.com

RoHS
COMPLIANT



GREYSTONE HAS AN **ISO 9001** REGISTERED QUALITY SYSTEM