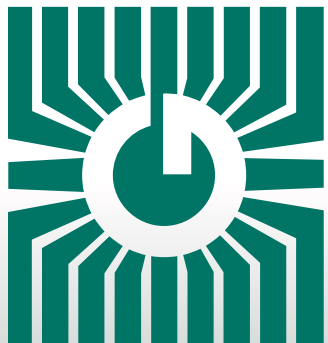
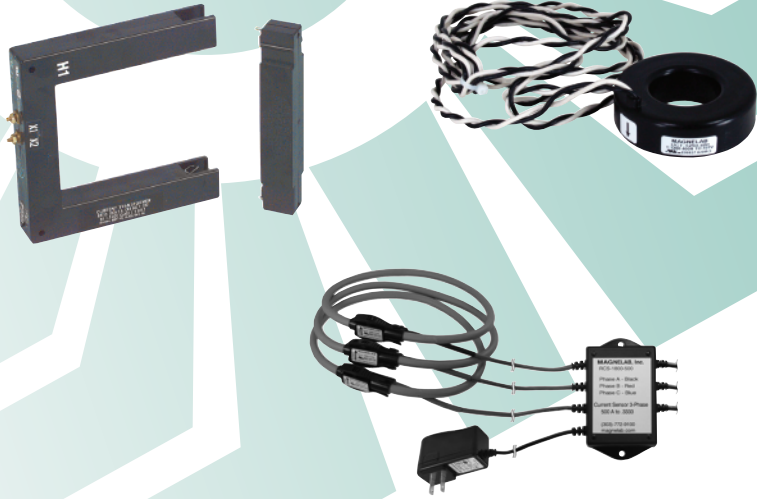


GREYSTONE ENERGY SYSTEMS INC



CURRENT TRANSFORMERS



Precision power monitoring

FEATURES:

- Solid core or Split-core models
- Outputs of 0 - 0.333 Vac or 0 - 5 Amp
- Large selection of ranges

*Peace of mind
through reliable
power monitoring*

GREYSTONE HAS AN ISO 9001 REGISTERED QUALITY SYSTEM



SOLID CORE CURRENT TRANSFORMERS

5RL Series

The 5RL Series solid core current transformers provide a low-amperage current output proportional to line current and are for use in building automation and metering applications. These low-cost current transformers are ideal as inputs to power monitors, such as the WHT250 and current transducers, such as the CVT100.



SPECIFICATIONS:

Primary Current.....50 thru 1000 Amps
 Secondary Current.....0-5 Amps
 Frequency.....50-400 Hz
 Insulation Class.....600V, 10 kV BIL Full Wave
 Terminations.....Lead wires, 61 cm (24"), 16 AWG
 Materials Of Construction.....Plastic, UL94V-1
 Window Size.....3.9 cm (1.56")
 Weight.....0.45 kg (1 lb)
 Approvals.....UL-recognized component,
 File #E238872;
 CSA certified, File #245941

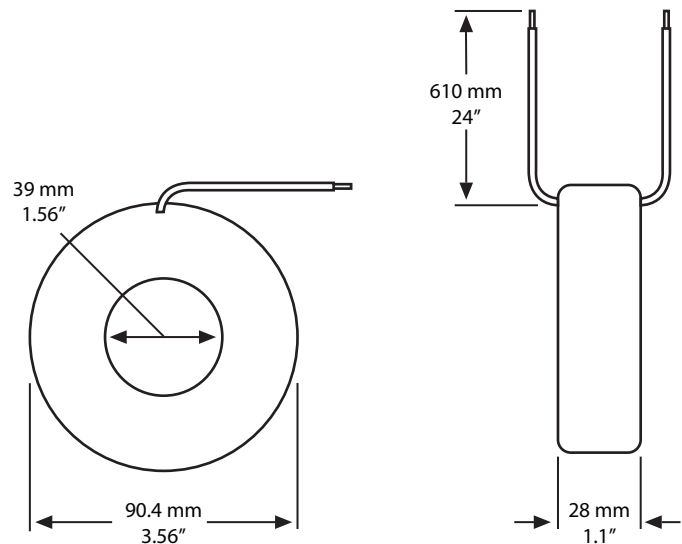
CAUTION: Proper safety precautions must be followed by a trained electrician during installation. It is recommended that the incoming power be deenergized before installation. The current transformer must have its secondary terminals short-circuited or the burden (load) connected before energizing the primary circuit. For indoor use only. Use on insulated conductor only.

DIMENSIONS:

PRODUCT SELECTION INFORMATION:

MODEL 5RL			
PART CODE	CURRENT RATIO	Outer dia 3.56" (90 mm) Window dia 1.56" (39 mm)	
		Accuracy %	VA
5RL-500	50:5	±2	1.0
5RL-750	75:5	±2	1.5
5RL-101	100:5	±2	2.0
5RL-151	150:5	±1	5.0
5RL-201	200:5	±1	5.0
5RL-251	250:5	±1	10.0
5RL-301	300:5	±1	12.5
5RL-401	400:5	±1	12.5
5RL-501	500:5	±1	20.0
5RL-601	600:5	±1	25.0
5RL-751*	750:5	±1	25.0
5RL-801	800:5	±1	25.0
5RL-102	1000:5	±1	25.0

* Special order only and non-returnable



Greystone Energy Systems, Inc. reserves the right to make design modifications without prior notice.

Greystone Energy Systems, Inc. (506) 853-3057 Fax: (506) 853-6014
 150 English Drive, Moncton, North America: 1-800-561-5611
 New Brunswick, Canada E1E 4G7 e-mail: mail@greystoneenergy.com
 www.greystoneenergy.com



GREYSTONE HAS AN ISO 9001 REGISTERED QUALITY SYSTEM



SPLIT-CORE CURRENT TRANSFORMERS

601T Series

The Model 601T split-core current transformers provide a low amperage current output proportional to line current for use in energy management control and metering applications, and are ideal for use as inputs to power monitors such as the WHT250 and current transducers such as the CVT100. These transformers are designed to be assembled around an existing insulated conductor without the need for dismantling the primary bus or cables. The portion of the transformers marked "This End Removable" can be disassembled and then reassembled around the conductors that require current monitoring.

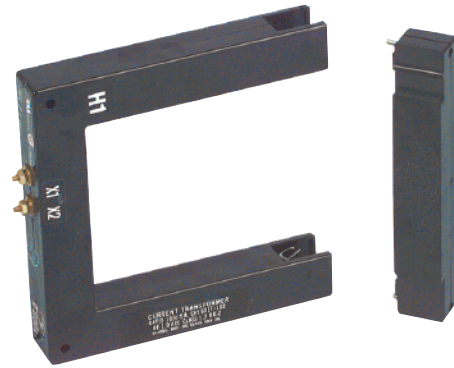
SPECIFICATIONS:

- Primary Current.....300 thru 2000 Amps
- Secondary.....0-5 Amps
- Frequency.....50-400 Hz
- Insulation Class.....600V, 10 kV BIL Full Wave
- Continuous Thermal Current
- Resistor Factor.....1.33 @ 30°C (86°F) ambient
1.0 @ 55°C (131°F) ambient
- Terminations.....Brass stud terminals with nut,
flat washer, lockwasher
- Materials Of Construction....Plastic, UL94V-1
- Window Size.....114.3 x 114.3 mm (4.5" x 4.5")
- Weight.....0.68 kg (1.5 lb)
- Approvals.....UL-recognized component, File #E238872
CSA certified, File #245941

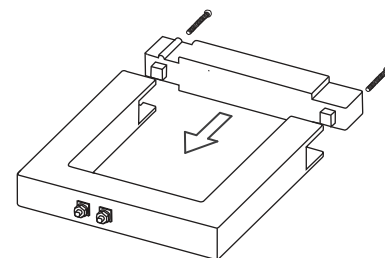
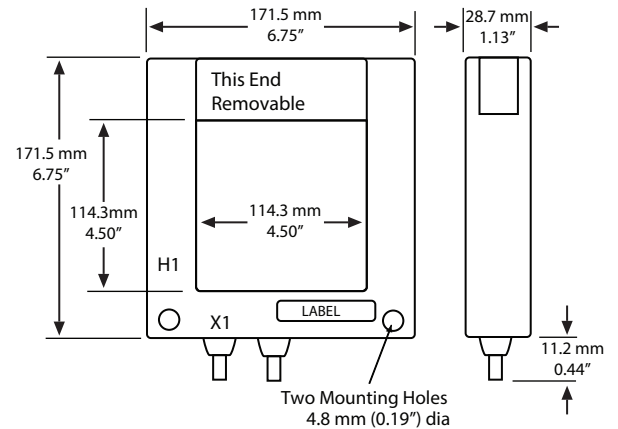
CAUTION: Proper safety precautions must be followed by a trained electrician during installation. It is recommended that the incoming power be deenergized before installation. The current transformer must have its secondary terminals short-circuited or the burden (load) connected before energizing the primary circuit. For indoor use only. Use on insulated conductor only.

PRODUCT SELECTION INFORMATION:

MODEL 601T - 114 x 114 mm (4.5" x 4.5") Window					
MODEL	CURRENT RATIO	ANSI METER CLASS @ 60 Hz			ACCURACY CLASS WITH UNITY POWER FACTOR
		B0.1 2.5 VA	B0.2 5 VA	B0.5 12.5 VA	
601T-301	300:5	--	--	--	± 1% @ 0.5 VA
601T-401	400:5	4.8	--	--	± 1% @ 1.0 VA
601T-501	500:5	4.8	4.8	--	± 1% @ 1.5 VA
601T-601	600:5	2.4	4.8	--	± 1% @ 2.0 VA
601T-801	800:5	1.2	2.4	4.8	± 1% @ 2.5 VA
601T-102	1000:5	1.2	1.2	4.8	± 1% @ 5.0 VA
601T-122	1200:5	1.2	1.2	2.4	± 1% @ 10.0 VA
601T-152	1500:5	1.2	1.2	1.2	± 1% @ 15.0 VA
601T-162	1600:5	1.2	1.2	1.2	± 1% @ 15.0 VA
601T-202	2000:5	0.6	0.6	1.2	± 1% @ 20.0 VA



DIMENSIONS:



Greystone Energy Systems, Inc. reserves the right to make design modifications without prior notice.

Greystone Energy Systems, Inc. (506) 853-3057 Fax: (506) 853-6014
 150 English Drive, Moncton, North America: 1-800-561-5611
 New Brunswick, Canada E1E 4G7 e-mail: mail@greystoneenergy.com
 www.greystoneenergy.com



GREYSTONE HAS AN ISO 9001 REGISTERED QUALITY SYSTEM



SPLIT-CORE SAFE CURRENT TRANSFORMERS SCT Series

The SCT Series of current transformers provides a low-voltage (0-0.333 V) output proportional to line current and can be used in conjunction with the WHT200 to monitor electrical power systems. Often referred to as "Safe CTs," the mV output of these current transformers eliminates the need for shorting switches, and their split-core design makes them easy to install.

SPECIFICATIONS:

Primary Current.....5 thru-1500A
 Secondary Voltage.....0-0.333 Vac, 0% to 100% rated current
 Frequency.....50-400 Hz
 Insulation Class.....600V
 Accuracy.....±1%, (10% to 130% rated current)
 Lead Wires.....2.44 m (8') twisted pair leads, 22 AWG
 Weight.....0.45 kg (1 lb) maximum
 Approvals.....UL-recognized component,
 File #E96927 CE
 RoHS Statement.....Yes

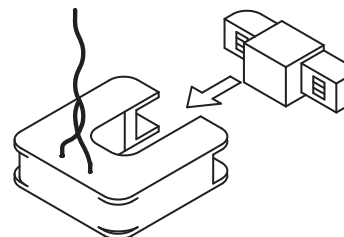
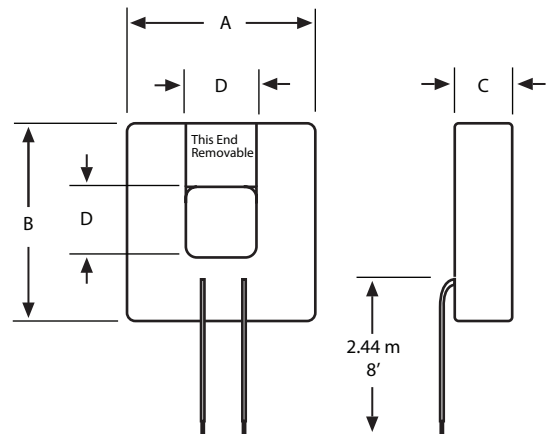


DIMENSIONS:

Model	Dimensions mm (in)			
	A	B	C	D
SCT-0750	51 (2.0)	53 (2.1)	15 (0.61)	19 (0.75)
SCT-2000	120.7 (4.75)	127 (5)	30.5 (1.2)	50.8 (2)

PRODUCT SELECTION INFORMATION:

MODEL SCT	
PART CODE	CURRENT RATIO
SCT-0750-005	5 A:0.333 Vac
SCT-0750-010	10 A:0.333 Vac
SCT-0750-020	20 A:0.333 Vac
SCT-0750-030	30 A:0.333 Vac
SCT-0750-050	50 A:0.333 Vac
SCT-0750-070	70 A:0.333 Vac
SCT-0750-0100	100 A:0.333 Vac
SCT-0750-0150	150 A:0.333 Vac
SCT-0750-0200	200 A:0.333 Vac
SCT-2000-100	100 A:0.333 Vac
SCT-2000-200	200 A:0.333 Vac
SCT-2000-400	400 A:0.333 Vac
SCT-2000-600	600 A:0.333 Vac
SCT-2000-800	800 A:0.333 Vac
SCT-2000-1000	1000 A:0.333 Vac
SCT-2000-1200	1200 A:0.333 Vac
SCT-2000-1500	1500 A:0.333 Vac



Greystone Energy Systems, Inc. reserves the right to make design modifications without prior notice.

Greystone Energy Systems, Inc. (506) 853-3057 Fax: (506) 853-6014
 150 English Drive, Moncton, North America: 1-800-561-5611
 New Brunswick, Canada E1E 4G7 e-mail: mail@greystoneenergy.com
 www.greystoneenergy.com



GREYSTONE HAS AN **ISO 9001** REGISTERED QUALITY SYSTEM



THREE-PHASE RopeCT® AC CURRENT SENSOR RCS Series

The RCS Series three-phase flexible RopeCT® measures AC current up to 5,000 Amps. The Rogowski coils open at the connector junction and can be installed on an existing cable or bus-bar in a matter of seconds. The RCS Series provides a low-voltage (0-0.333 V) output proportional to line current and can be used in conjunction with the WHT200 to monitor electrical power systems.

SPECIFICATIONS:

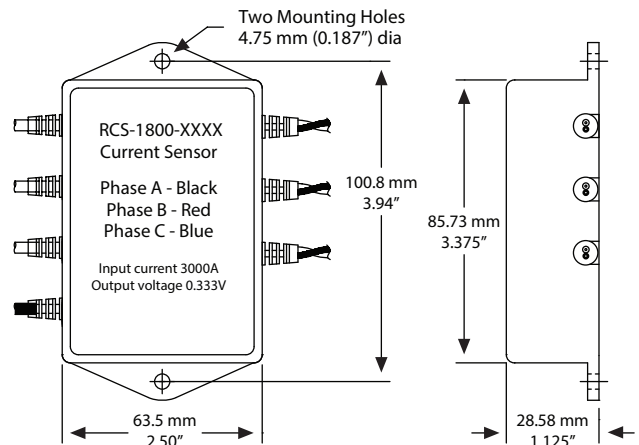
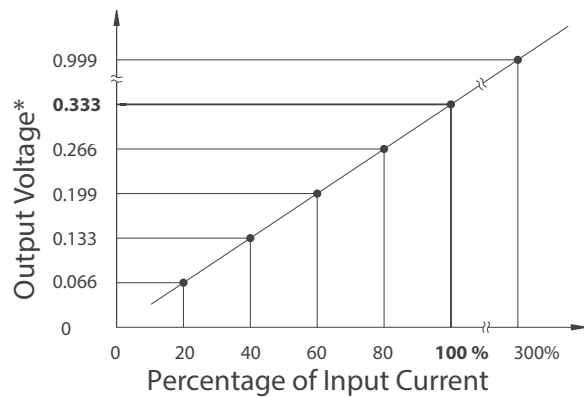
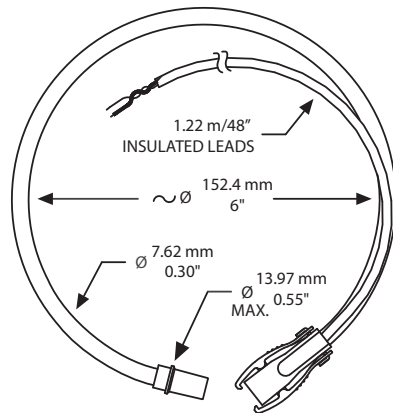
- Primary Current.....250 thru-5000A
- Secondary Voltage.....0-0.333 Vac, 0% to 100% rated current
- Insulation Class.....600V
- Accuracy.....±1%, (10% to 300% rated current)
- Lead Wires.....2.44 m (8') twisted pair leads, 22 AWG
- Weight.....0.45 kg (1 lb) maximum
- Approvals.....CE, UL-recognized component
- RoHS Statement.....Yes



DIMENSIONS:

PRODUCT SELECTION INFORMATION:

MODEL RCS	
PART CODE	CURRENT RATIO
RCS-1800-0250	250 A:0.333 Vac
RCS-1800-0400	400 A:0.333 Vac
RCS-1800-0500	500 A:0.333 Vac
RCS-1800-0800	800 A:0.333 Vac
RCS-1800-1000	1000 A:0.333 Vac
RCS-1800-1500	1500 A:0.333 Vac
RCS-1800-2000	2000 A:0.333 Vac
RCS-1800-2500	2500 A:0.333 Vac
RCS-1800-3000	3000 A:0.333 Vac
RCS-1800-4000	4000 A:0.333 Vac
RCS-1800-5000	5000 A:0.333 Vac



Greystone Energy Systems, Inc. reserves the right to make design modifications without prior notice.

Greystone Energy Systems, Inc. (506) 853-3057 Fax: (506) 853-6014
 150 English Drive, Moncton, North America: 1-800-561-5611
 New Brunswick, Canada E1E 4G7 e-mail: mail@greystoneenergy.com
 www.greystoneenergy.com

RoHS COMPLIANT



GREYSTONE HAS AN ISO 9001 REGISTERED QUALITY SYSTEM