



GREYSTONE ENERGY SYSTEMS INC

ROOM CONTINENTAL TEMPERATURE TRANSMITTER TXRC Series

The TXRC series room temperature transmitter is an attractive, low profile enclosure that incorporates a precision platinum RTD and a transmitter that provides a high accuracy signal with excellent long term stability, low hysteresis and fast response for measurement of room temperatures. Additional options are available which include setpoint adjustment, manual override & Fan speed control.

SPECIFICATION:

Sensor..... 1000 ohm or 100 ohm Platinum RTD
 Sensor Accuracy..... ±0.3°C (±0.54°F) @ 0°C (32°F)
 Output Signal..... 4-20mA current loop, 0-5 vdc, or 0-10 Vdc (factory configured)
 Transmitter Accuracy..... ±0.1% of span, including linearity
 4-20 mA loop Power Supply.... 15-35 Vdc or 22-32 Vac
 Minimum Current Loop 2 mA nominal (occurs with shorted sensor)
 Maximum Loop Current..... 22.5 mA nominal (occurs with open sensor)
 Maximum Loop Load >600 ohms
 0-5 Vdc Power Supply 10-35 Vdc or 10-32 Vac
 0-10 Vdc Power Supply..... 15-35 Vdc or 15-32 Vac
 Maximum Current (Voltage).... 5 mA nominal
 Maximum Output (Voltage).... Limited to <5.5 Vdc for 0-5 Vdc, <10.5 for 0-10 vdc
 Input Voltage Effect..... Negligible over specified operating range
 RFI Rejection Good RFI rejection of normal frequencies
 Protection Circuitry..... Reverse voltage protected and output limited
 Operating Conditions 0 - 50°C (32 - 122°F), 0-95% RH non-condensing
 Enclosure..... White ABS - IP30 (NEMA 1) 84mmW x 117mmH x 29mmD (3.3" x 4.6" x 1.15")
 Wiring Connections..... Screw terminal block (14 to 22 AWG)

OPTIONS:

Setpoint Adjustment

Type..... Front panel slidepot, 2 wire resistance output
 Range..... 0K to 10K Ω standard
 Custom spans available 1K, 2K, 5K, 10K or 20K Ω

Manual Override

Type..... Front panel, momentary pushbutton
 Front panel pushbutton..... 50 mA @12 Vdc, N.O., SPST

Status LED Input

Signal Type..... Active high, low or 2-wire, 5 V current limited standard
 LED Colors..... Yellow (Y), Red (R) or Green (G)
 Power Supply..... 5 Vdc standard, 10 or 24 Vdc optional

Communication Jacks

Molex..... 4 Pin header to 4 pin terminal block. Requires HHTA - Hand Held Adapter

Fan Speed Switch

Type..... Side mounted, 5 position slide switch
 Designators Off, Auto, Low, Medium, High
 Signal..... 2 wire, resistance output 0, 2, 4, 6, 8 KΩ
 Custom ranges available



PART NUMBER SELECTED

PRODUCT SELECTION INFORMATION:

MODEL	Product Description
TXRC	Room Continental Temperature Transmitter

CODE	Sensor
2	100 Ω Platinum, IEC 751, 385 Alpha, thin film
12	1000 Ω Platinum, IEC 751, 385 Alpha, thin film (Standard)

CODE	Output
A	4-20 mA
D	0-5 Vdc
E	0-10 Vdc

CODE	Range
1	0-35°C (32 - 95°F)
2	0-50°C (32 - 122°F)

CODE	Options
P	0-10K linear slide pot for setpoint
P1	20-30K linear slide pot for setpoint
S	Exposed push button switch (NO)
Y	Yellow LED
R	Red LED
G	Green LED
E	External jack (4-pin header)
F	Fan speed switch

Greystone Energy Systems, Inc. reserves the right to make design modifications without prior notice.

Due to the many possible configurations, special part numbers may be required. Please contact Greystone for more information

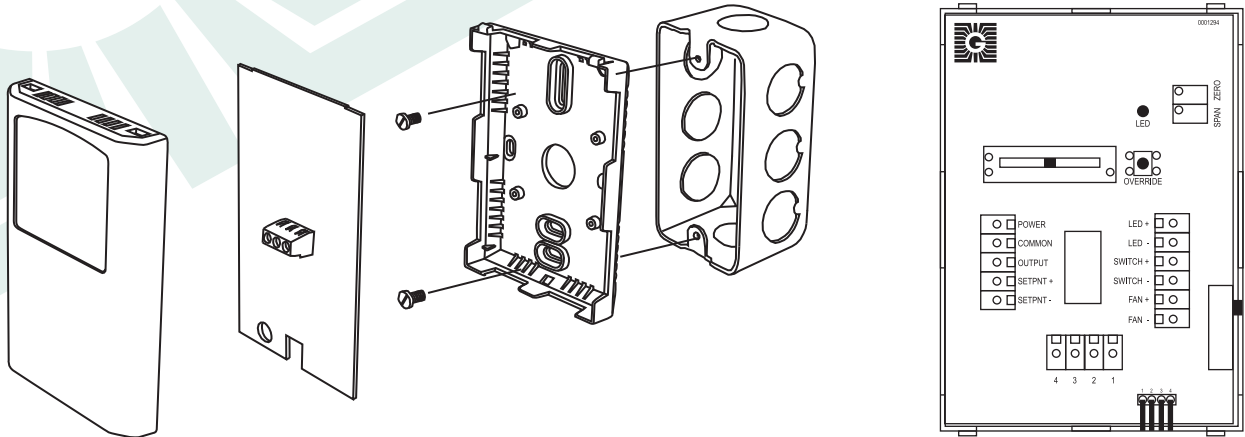
TXRC*GS* Description:**

TYPICAL INSTALLATION:

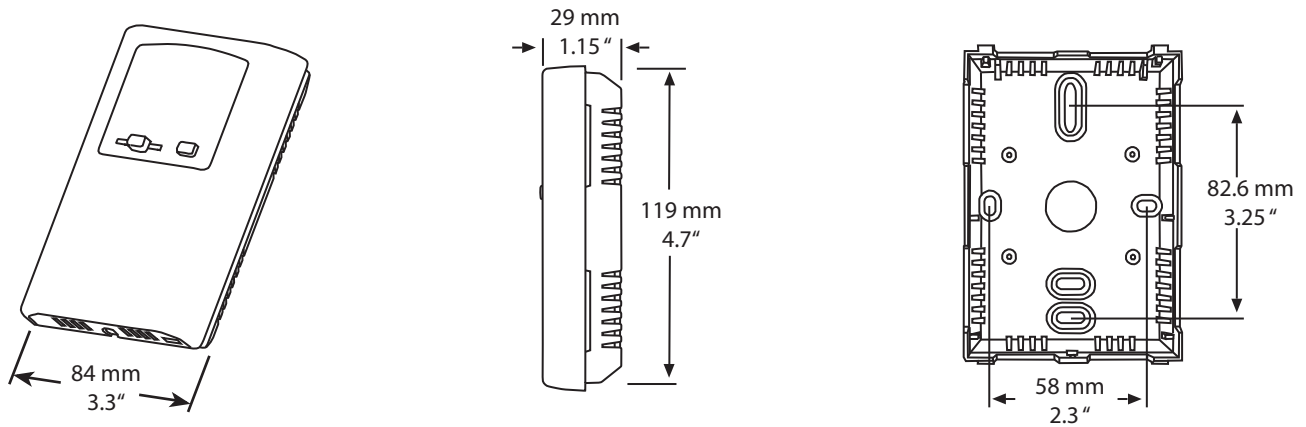
For complete installation and wiring details, please refer to the product installation instructions.

The TXRC series can be mounted directly to a single gang electrical box or directly to a wall. Insulating foam is adhered to the back of the enclosure to provide a thermal barrier from internal wall temperatures.

A terminal block connection is provided for connection to the Building Automation System.



DIMENSIONS:



Greystone Energy Systems, Inc. reserves the right to make design modifications without prior notice.



GREYSTONE
ENERGY SYSTEMS INC

Greystone Energy Systems, Inc.
150 English Drive, Moncton,
New Brunswick, Canada E1E 4G7
(506) 853-3057 Fax: (506) 853-6014
North America: 1-800-561-5611
e-mail: mail@greystoneenergy.com
www.greystoneenergy.com

RoHS
COMPLIANT



Greystone Energy Systems Inc. is one of North America's largest ISO registered manufacturers of HVAC sensors and transmitters for Building Automation Management Systems.

We have conscientiously established a worldwide reputation as an industry leader by maintaining leading-edge design technology, prompt technical support, and a commitment to on-time deliveries. We take pride in our Quality Management System which is ISO 9001 certified, assuring our customers of consistent product reliability.

GREYSTONE HAS AN ISO 9001 REGISTERED QUALITY SYSTEM