



STRAP-ON TEMPERATURE SENSOR TSSO Series

The single point strap-on temperature sensor has a precision sensor bonded to a 38 mm x 38 mm (1.5" x 1.5") aluminum plate and adhered to a 38 mm (1.5") square compressible foam. A 254 mm (10") S/S Pipe clamp is provided to secure the assembly to various sizes of pipe. All probes are constructed to provide excellent heat transfer, fast response and are potted to resist moisture penetration.



SPECIFICATION:

Sensor TypeVarious Thermistors or RTD
 Sensor Accuracy.....**Thermistors:** $\pm 0.2^{\circ}\text{C}$ ($\pm 0.36^{\circ}\text{F}$) @ 25°C (77°F)
Platinum RTD's: $\pm 0.3^{\circ}\text{C}$ ($\pm 0.54^{\circ}\text{F}$) @ 0°C (32°F)
Nickel RTD's: $\pm 0.4^{\circ}\text{C}$ ($\pm 0.72^{\circ}\text{F}$) @ 0°C (32°F)
 Probe Material.....Aluminum plate with compressible foam backing
 Probe Sensing Range.....-20 to 105°C (-4 to 221°F)
 Ambient Operating Range.....-40 to 50°C (-40 to 122°F)
 Probe Size.....38 mm (1.5") square
 Wire Material.....PVC insulated, parallel bonded
 Enclosure.....**A:** ABS - UL94-V0, IP65 (NEMA4X)
C: Same as A, includes terminal block
E: Same as C, includes thread adapter
 (1/2" NPT to M16), cable gland fitting
 Termination.....**A:** pigtail, 2 or 3 wire
C & E: terminal block, 2 or 3 wire
 Country of Origin.....Canada

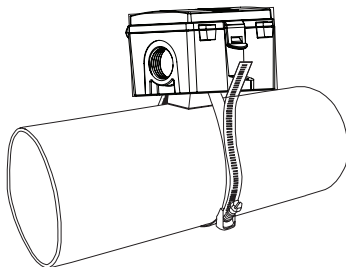
TYPICAL INSTALLATION:

For complete installation and wiring details, please refer to the product installation instructions.

The single point sensor series can be mounted directly to various sizes of pipes and secured using the 10" S/S pipe clamp.

If necessary, remove a section of insulation from the pipe. The 10" S/S pipe clamp is a "Quick Release" type and can be separated by moving the tightening screw so that it is perpendicular to the clamp and sliding the clamp apart. Position the aluminum plate on the pipe so it makes the best contact, wrap the clamp around the pipe and re-assemble and tighten. Any excess clamp may be cut off.

Wiring connections are made inside the enclosure using a 2 or 3 wire pigtail.



PART NUMBER SELECTED

PRODUCT SELECTION INFORMATION:

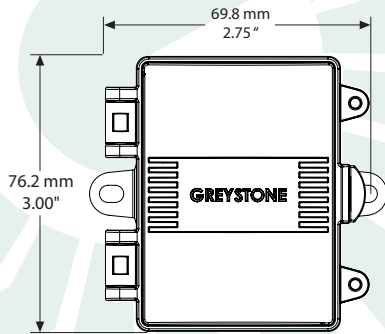
MODEL	Product Description
TSSO	Strap-on Temperature Sensor

CODE	Enclosure
A	ABS, with hinged & gasketed cover
C	Same as A, with terminal block
E	Same as C, with thread adapter & cable gland fitting

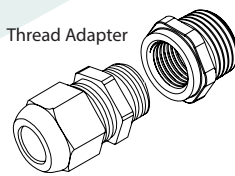
CODE	Sensor
02X	100 Ω Platinum, IEC 751, 385 Alpha, thin film, 3 wire
05X	1801 Ω NTC Thermistor, $\pm 0.2^{\circ}\text{C}$
06X	3000 Ω , NTC Thermistor, $\pm 0.2^{\circ}\text{C}$
07X	10,000 Ω , Type 3, NTC Thermistor, $\pm 0.2^{\circ}\text{C}$
08X	2.252K Ω , NTC Thermistor, $\pm 0.2^{\circ}\text{C}$
12X	1000 Ω Platinum, IEC 751, 385 Alpha, thin film
13X	1000 Ω Nickel, Class B, DIN 43760
14X	10,000 Ω , Type 3, NTC Thermistor, $\pm 0.2^{\circ}\text{C}$ c/w 11K shunt resistor
20X	20,000 Ω , NTC Thermistor, $\pm 0.2^{\circ}\text{C}$
24X	10,000 Ω , Type 2, NTC Thermistor, $\pm 0.2^{\circ}\text{C}$
59X	10,000 Ω @ 25°C , $\pm 1\%$, B = $3435 \pm 1\%$ (25/85)

Greystone Energy Systems, Inc. reserves the right to make design modifications without prior notice.

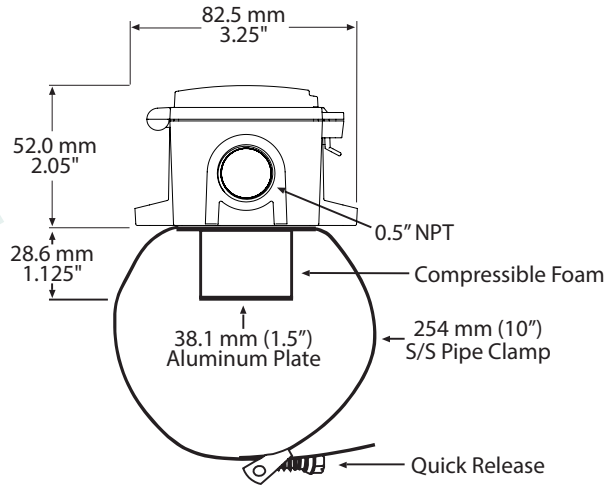
DIMENSIONS:



Included with E style enclosure



Cable Gland Fitting



GREYSTONE

ENERGY SYSTEMS INC

Greystone Energy Systems, Inc.

150 English Drive, Moncton,
New Brunswick, Canada E1E 4G7

(506) 853-3057 Fax: (506) 853-6014

North America: 1-800-561-5611

e-mail: mail@greystoneenergy.com

www.greystoneenergy.com



GREYSTONE ENERGY SYSTEMS, INC.

RoHS
COMPLIANT



Greystone Energy Systems Inc. is one of North America's largest ISO registered manufacturers of HVAC/R sensors and transmitters for Building Automation Management Systems.

We have conscientiously established a worldwide reputation as an industry leader by maintaining leading-edge design technology, prompt technical support, and a commitment to on-time deliveries. We take pride in our Quality Management System which is ISO 9001 certified, assuring our customers of consistent product reliability.

GREYSTONE HAS AN ISO 9001 REGISTERED QUALITY SYSTEM