



FLEX-DUCT AVERAGE TEMPERATURE SENSOR TSDF Series

The flexible multi-point duct temperature sensor utilizes several precision sensors spaced at equal distances. The probe is FT-6 plenum rated cable and is available in various lengths (see ordering chart). All probes are constructed to provide excellent heat transfer and a fast response.



SPECIFICATION:

Sensor Type Various Thermistors or RTD
 Sensor Accuracy..... **Thermistors:** $\pm 0.2^{\circ}\text{C}$ ($\pm 0.36^{\circ}\text{F}$) @ 25°C (77°F)
 Platinum RTD's: $\pm 0.3^{\circ}\text{C}$ ($\pm 0.54^{\circ}\text{F}$) @ 0°C (32°F)
 Nickel RTD's: $\pm 0.4^{\circ}\text{C}$ ($\pm 0.72^{\circ}\text{F}$) @ 0°C (32°F)
 Probe Sensing Range..... -20 to 60°C (-4 to 140°F)
 Ambient Operating Range.. -40 to 50°C (-40 to 122°F)
 Wire Material..... FT-6 rated plenum cable, 22 AWG
 Probe Length 1800, 3600, 6100, 7200 mm (6', 12', 20', 24')
 Enclosure..... **A:** ABS - UL94-V0, IP65 (NEMA4X)
 C: Same as A, includes terminal block
 E: Same as C, includes thread adapter (1/2" NPT to M16), cable gland fitting
 Termination **A:** pigtail, 2 or 3 wire
 C & E: terminal block, 2 or 3 wire
 Country of Origin..... Canada

PART NUMBER SELECTED

PRODUCT SELECTION INFORMATION:

MODEL	Product Description
TSDF	Flexible Cable Duct Average Temperature Sensor

CODE	Enclosure
A	ABS, with hinged & gasketed cover
C	Same as A, with terminal block
E	Same as C, with thread adapter & cable gland fitting

CODE	Sensor
02	100 Ω Platinum, IEC 751, 385 Alpha, thin film, 3 wire
05	1801 Ω NTC Thermistor, $\pm 0.2^{\circ}\text{C}$
06	3000 Ω , NTC Thermistor, $\pm 0.2^{\circ}\text{C}$
07	10,000 Ω , Type 3, NTC Thermistor, $\pm 0.2^{\circ}\text{C}$
08	2.252K Ω , NTC Thermistor, $\pm 0.2^{\circ}\text{C}$
12	1000 Ω Platinum, IEC 751, 385 Alpha, thin film
13	1000 Ω Nickel, Class B, DIN 43760
14	10,000 Ω , Type 3, NTC Thermistor, $\pm 0.2^{\circ}\text{C}$ c/w 11K shunt resistor
20	20,000 Ω , NTC Thermistor, $\pm 0.2^{\circ}\text{C}$
24	10,000 Ω , Type 2, NTC Thermistor, $\pm 0.2^{\circ}\text{C}$
59	10,000 Ω @ 25°C , $\pm 1\%$, B = $3435 \pm 1\%$ (25/85)

CODE	Probe Length
I	1800 mm (6')
J	3600 mm (12')
K	6100 mm (20')
L	7200 mm (24')

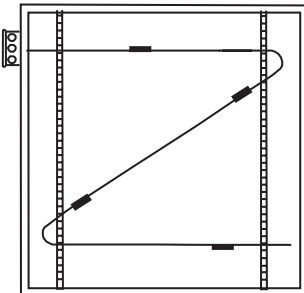
Greystone Energy Systems, Inc. reserves the right to make design modifications without prior notice.

TYPICAL INSTALLATION:

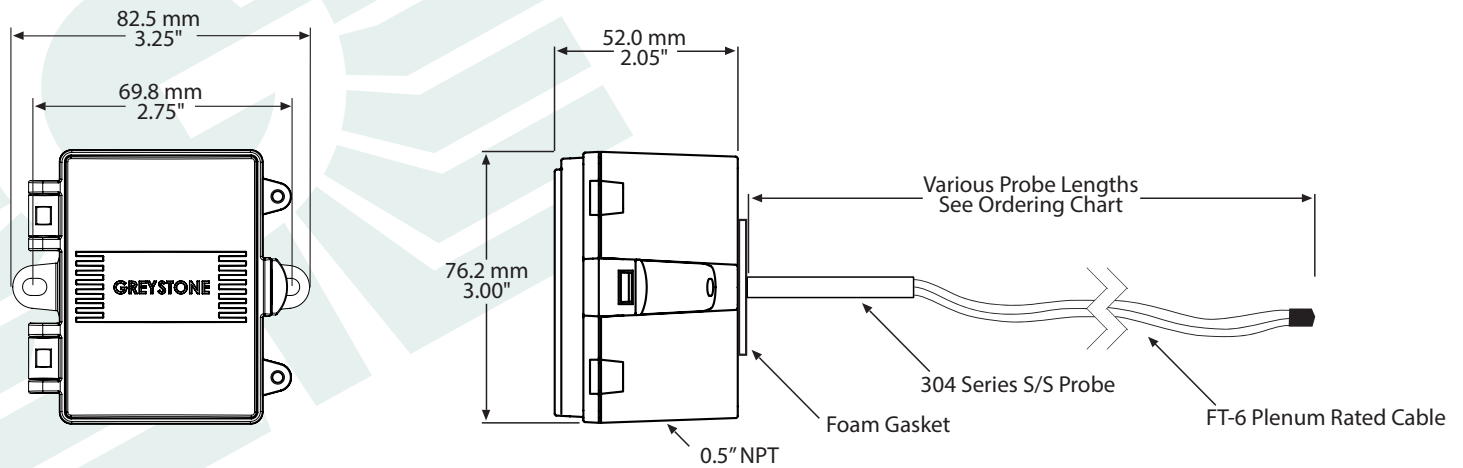
For complete installation and wiring details, please refer to the product installation instructions.

The flex-duct average probes are installed through a hole in the side of the duct to monitor an average temperature within the duct. Select a probe length that allows for criss-crossing the duct multiple times. Install the probes in a straight section of duct at a suitable distance downstream from any heating, cooling or humidification devices.

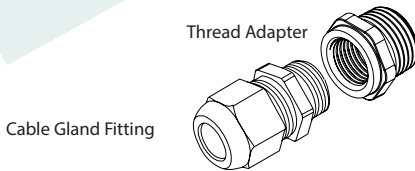
The enclosure provides mounting tabs for ease of installation.



DIMENSIONS:



Included with E style enclosure



Cable Gland Fitting

Thread Adapter



GREYSTONE

ENERGY SYSTEMS INC

Greystone Energy Systems, Inc.
 150 English Drive, Moncton,
 New Brunswick, Canada E1E 4G7
 (506) 853-3057 Fax: (506) 853-6014
 North America: 1-800-561-5611
 e-mail: mail@greystoneenergy.com
 www.greystoneenergy.com

RoHS
COMPLIANT



Greystone Energy Systems Inc. is one of North America's largest ISO registered manufacturers of HVAC/R sensors and transmitters for Building Automation Management Systems.

We have conscientiously established a worldwide reputation as an industry leader by maintaining leading-edge design technology, prompt technical support, and a commitment to on-time deliveries. We take pride in our Quality Management System which is ISO 9001 certified, assuring our customers of consistent product reliability.

GREYSTONE HAS AN **ISO 9001** REGISTERED QUALITY SYSTEM