



GREYSTONE ENERGY SYSTEMS INC

RIGID DUCT AVERAGE LOW LIMIT THERMOSTAT TLDR Series

The multi point rigid duct average low limit thermostat incorporates several precision thermistor temperature sensors and provides a Form C relay output (NO/NC) with an adjustable setpoint. The sensor is encapsulated in 6 mm (0.236") OD, 304 series stainless steel probe and is available in various lengths (see ordering chart) All probes provide excellent heat transfer, fast response and resistance to moisture penetration. A weatherproof Polycarbonate enclosure is included for ease of installation

SPECIFICATIONS:

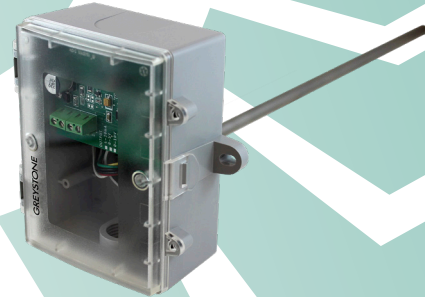
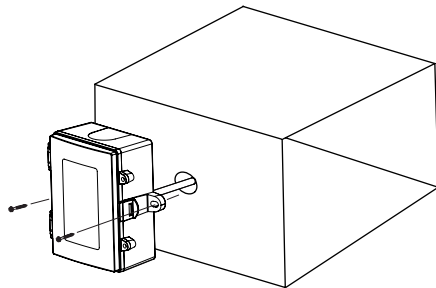
Power Supply:..... 12 to 28 Vac/dc
Consumption:..... 50 mA max
Relay Contacts:..... SPDT, Form C contacts (N.O. and N.C.)
5 Amps @ 30 Vac/250 Vac resistive
1.5 Amps @ 30 Vdc/250 Vac inductive
Relay Action:..... Activates on temperature fall
Setpoint Operation:..... Single-turn knob-pot on PCB
Adjustable Setpoint:..... -4 to 10°C (25 to 50°F)
Setpoint Temperature:..... Low/Mid/High jumper selectable
Differential 1.1, 2.8, 5.6°C (2, 5, 10°F)
Temperature Sensor:..... 10K ohm curve matched precision thermistor
Sensor Accuracy:..... ±0.2°C, 0 to 70°C (±0.36°F, 32 to 158°F)
Probe Sensing Range:..... -20 to 105°C (-4 to 221°F)
Probe Material:..... 304 Series Stainless Steel
Probe Diameter:..... 6 mm (0.236")
Probe Length:..... 450 mm, 600 mm, 900 mm (18", 24", 36")
Wire Material:..... PVC insulated, parallel bonded, 22 AWG
Operating Conditions:..... -10 to 50°C (14 to 122°F), 5 to 95% RH, non-condensing
Storage Conditions:..... -30 to 70°C (-22 to 158°F), 5 to 95% RH, non-condensing
Wiring Connections:..... Screw terminal block (14 to 22 AWG)
Enclosure:..... Grey Polycarbonate UL94-V0, IP65 (NEMA 4X)
F style includes thread adapter (1/2" NPT to M16) and cable gland fitting
Country of Origin:..... Canada

TYPICAL INSTALLATION:

For complete installation and wiring details, please refer to the product installation instructions.

The duct type probes are installed through a hole in the side of the duct to monitor a single point temperature within the duct. Since the probes are tip sensitive, select a probe length that places the sensor well into the duct. Install the probe in a straight section of duct at a suitable distance downstream from any heating, cooling or humidification devices.

The enclosure provides mounting tabs for ease of installation.



PART NUMBER SELECTED

PRODUCT SELECTION INFORMATION:

MODEL	Product Description
TLDR	Rigid Duct Average Low Limit Thermostat

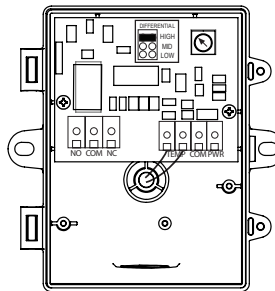
CODE	Enclosure
B	Polycarbonate, with hinged & gasketed cover
F	Same as B, with thread adapter & cable gland

CODE	Display Units
24	10,000 Ω, Type 2, NTC Thermistor, ±0.2°C

CODE	Probe Length
F	450 mm (18")
G	600 mm (24")
H	900 mm (36")

CODE	Adjustable Setpoint Range
01	-4 to 10°C (25 to 50°F)

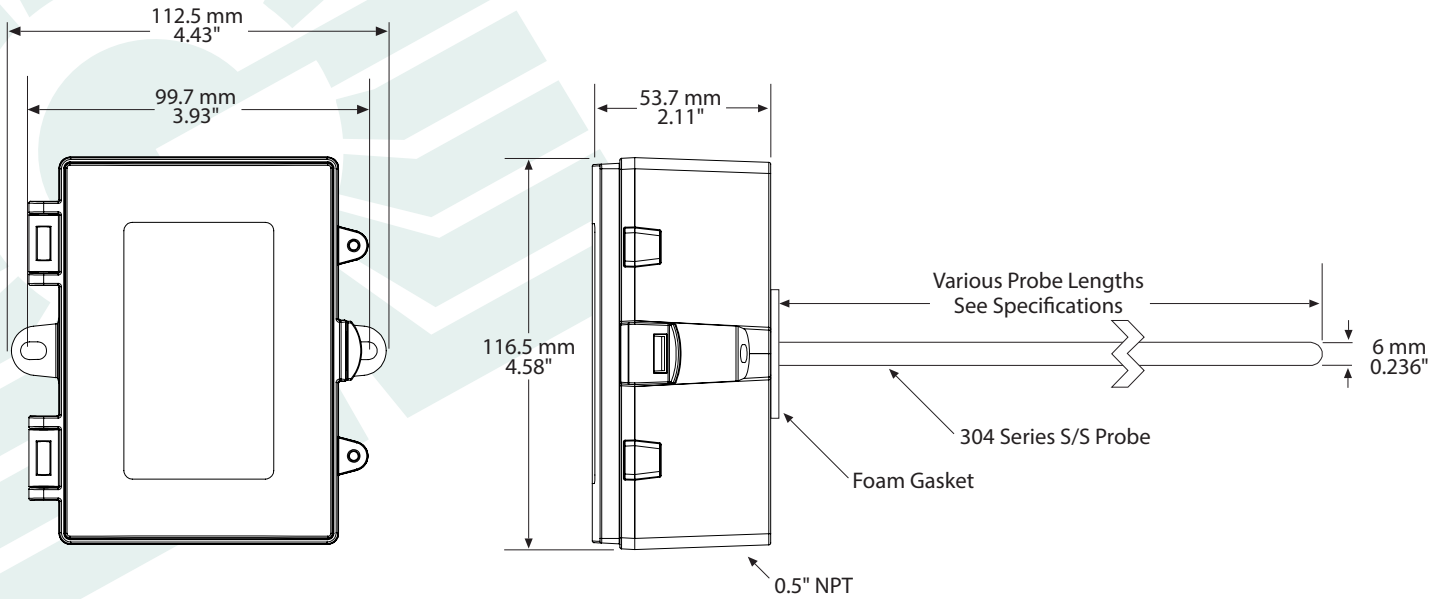
Greystone Energy Systems, Inc. reserves the right to make design modifications without prior notice.



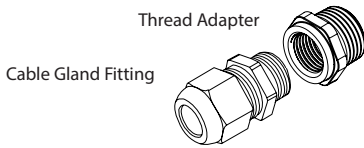
Wiring:

Terminal	Function
PWR	Power Supply
COM	Power Supply Common
TEMP (2)	Temperature Sensor Input
NO	Relay Output - Normally Open Contact
COM	Relay Common
NC	Relay Output - Normally Closed Contact

DIMENSIONS:



Included with E style enclosure



GREYSTONE
ENERGY SYSTEMS INC
Greystone Energy Systems, Inc.
150 English Drive, Moncton,
New Brunswick, Canada E1E 4G7
(506) 853-3057 Fax: (506) 853-6014
North America: 1-800-561-5611
e-mail: mail@greystoneenergy.com
www.greystoneenergy.com

RoHS
COMPLIANT

Greystone Energy Systems Inc. is one of North America's largest ISO registered manufacturers of HVAC/R sensors and transmitters for Building Automation Management Systems. We have conscientiously established a worldwide reputation as an industry leader by maintaining leading-edge design technology, prompt technical support, and a commitment to on-time deliveries. We take pride in our Quality Management System which is ISO 9001 certified, assuring our customers of consistent product reliability.

GREYSTONE HAS AN **ISO 9001** REGISTERED QUALITY SYSTEM