

INTRODUCTION

The flexible copper duct average temperature thermostat incorporates numerous precision thermistor temperature sensors and provides a Form C relay output (NO/NC) with an adjustable setpoint. The sensor is encapsulated in a 7.94 mm (0.3125") OD, soft copper tube and is available in various lengths. All probes provide excellent heat transfer, fast response and resist moisture penetration.

BEFORE INSTALLATION

Read these instructions carefully before installing and commissioning the temperature sensor. Failure to follow these instructions may result in product damage. Do not use in an explosive or hazardous environment, with combustible or flammable gases, as a safety or emergency stop device or in any other application where failure of the product could result in personal injury. **Do not exceed the device ratings.**

MOUNTING

The sensor installs directly into any air duct with several lengths available for a wide range of duct widths/diameters. Select a suitable installation area in the middle of the duct wall. To achieve the best reading, do not place in an area where air stratification may be present. Mount the sensor at least 1.5 m (5') in either direction from elbows, dampers, filters or other duct restrictions. Avoid areas where the sensor is exposed to vibrations or rapid temperature changes.

Once a suitable spot is selected, drill a 9.5 - 12 mm (3/8" - 1/2") hole. Uncoil the copper probe and slide into the drilled hole until the enclosure is flush against the duct. The airflow direction is not important. Secure the enclosure to the duct with #10 x 25 mm (1") self tapping screws (not provided). Tighten screws until the enclosure is tight against the duct and ensure that there is no movement of the enclosure as shown in Figure 1.

A foam gasket is provided on the back of the enclosure that provides a tight seal against any air leaks.

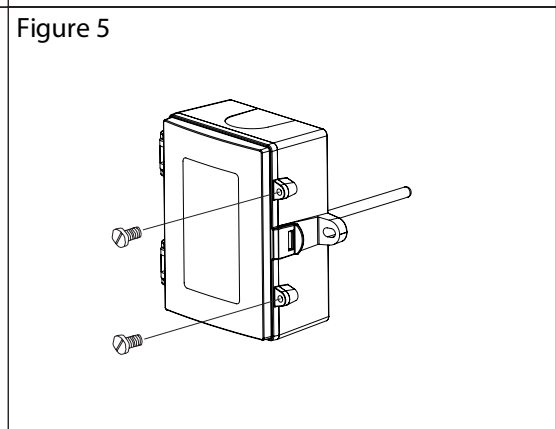
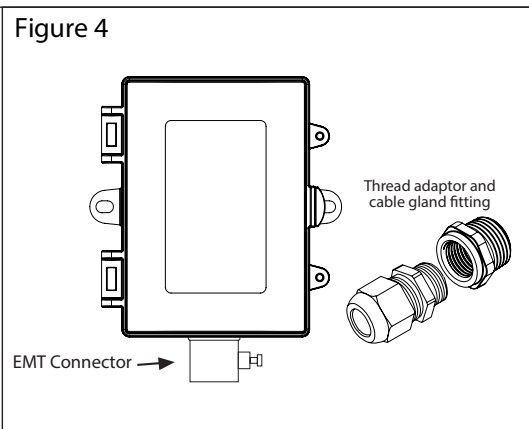
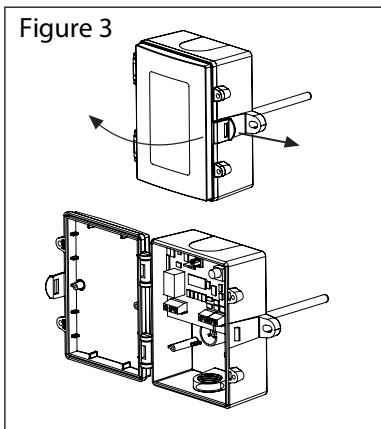
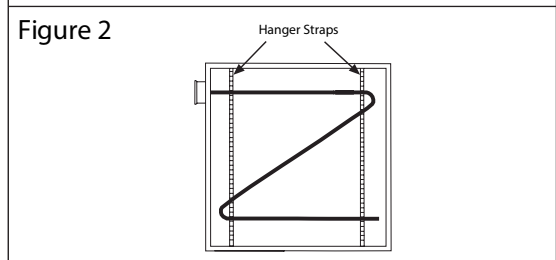
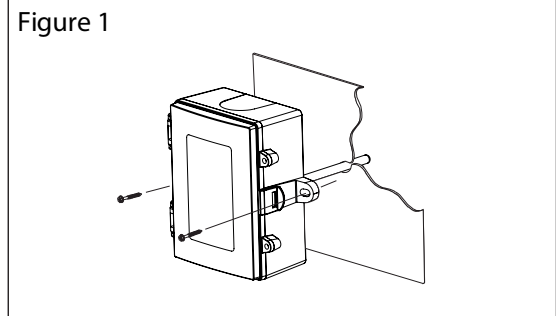
The probe can easily be shaped to fit any duct size, but observe a minimum bend radius of 4" to prevent damage to the wire or sensors. Criss-cross the duct multiple times so that the probe covers a large section of the duct. The probe needs to be fastened onto hangers using tube clamps or wire ties. See Figure 2.

The enclosure has a hinged cover with a latch. Open the cover by pulling slightly on the latch on the right side of the enclosure, at the same time pulling on the cover, as illustrated in Figure 3.

A 1/2" NPT threaded connection hole is provided in the bottom of the enclosure. Screw the EMT connector or cable gland connector in until tight. See Figure 4. It is recommended that weatherproof conduit or cable gland fittings be used. The F style enclosure includes a 1/2" NPT to M16 thread adaptor and cable gland fitting.

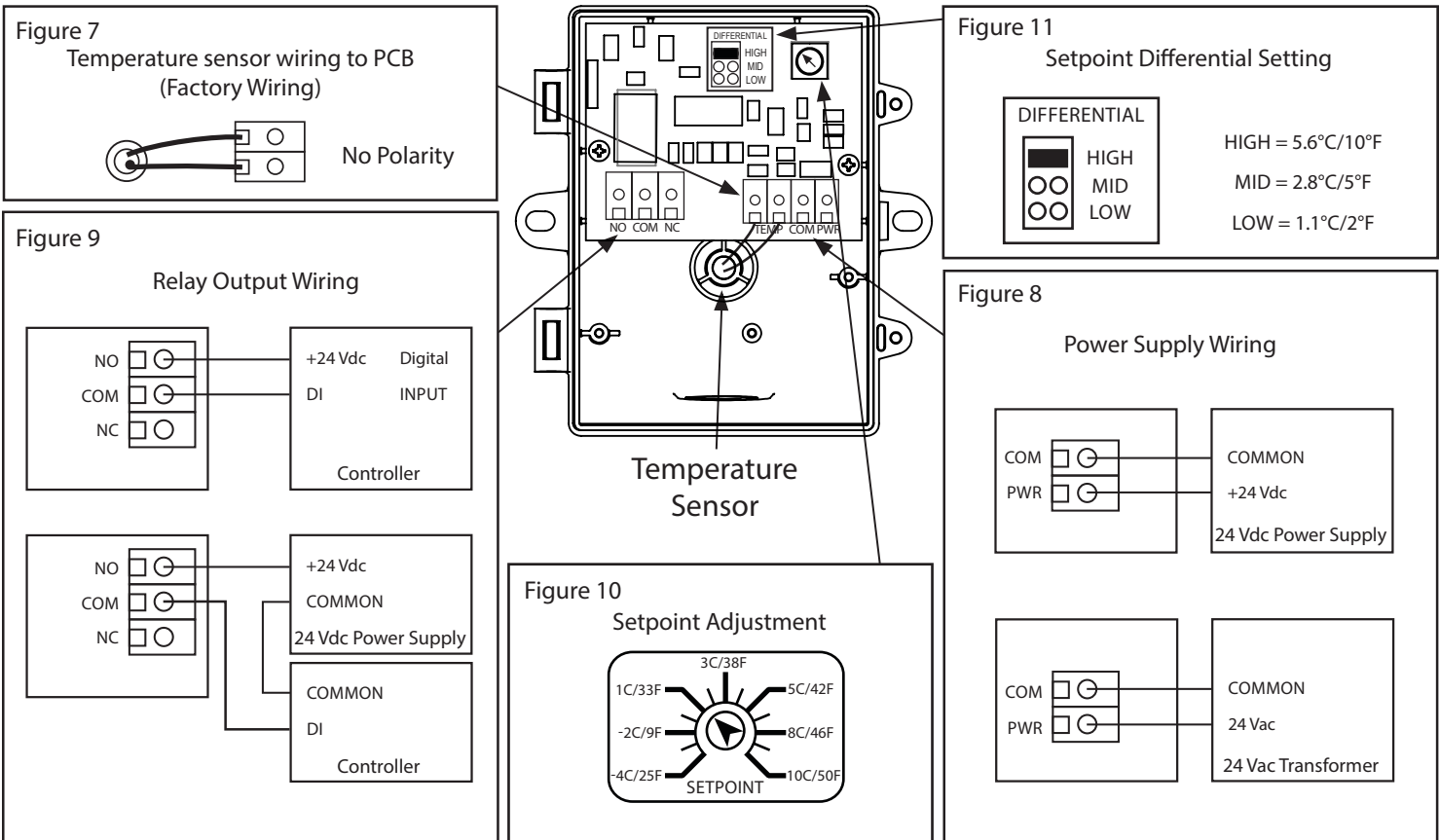
Make wiring connections as per the "Wiring" illustrations on Page 2.

Swing door closed until securely latched. For added security, 2 screws are provided that may be installed in the integrated screw tabs. See Figure 5.



WIRING

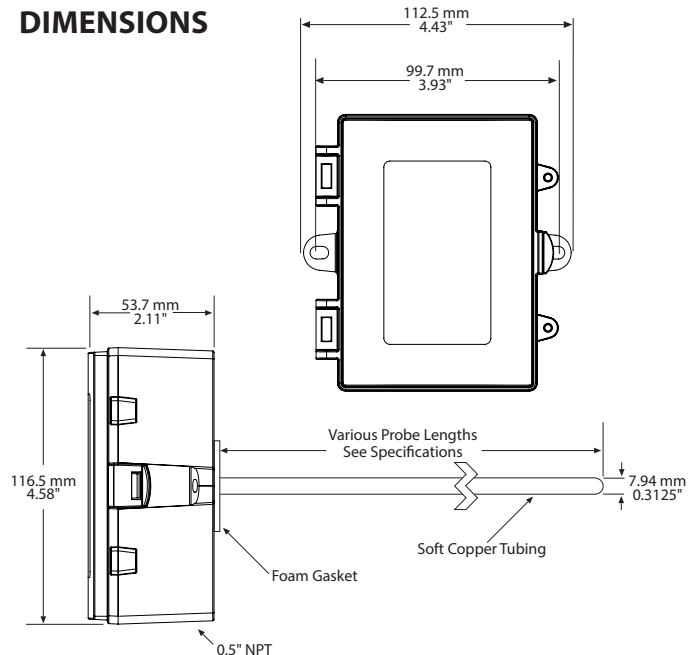
- Deactivate the 24 Vac/dc power supply until all connections are made to the device to prevent electrical shock or equipment damage.
- Use 14-22 AWG shielded wiring for all connections and do not locate the device wires in the same conduit with wiring used to supply inductive loads such as motors. Make all connections in accordance with national and local codes.
- The temperature thermostat comes with the temperature sensor pre-wired to the PCB. If removal is required for installation then it may be re-wired as shown in Figure 7.
- Pull at least six inches of control wire into the enclosure, then complete the wiring connection according to the wire diagram for the applicable power supply as shown in Figure 8.
- Connect the DC positive or the AC voltage hot side to the PWR terminal. The supply common is connected to the COM terminal. See Figure 8.
- The relay has both Normally Open (NO) and Normally Closed (NC) contacts available. The relay output is available on the NO/COM/NC terminal. Make connections before applying power as shown in Figure 9.
- The setpoint differential has 3 jumper selectable settings (Low/Mid/High). Set jumper to desired differential as shown in Figure 11.
- To set the switching setpoint, turn the setpoint potentiometer to the desired temperature setting as shown in Figure 10.
- Once all connections settings are made and checked, power can be applied.



SPECIFICATIONS:

Sensor Type: 1000 ohm platinum RTD
 Sensor Accuracy: $\pm 0.3^{\circ}\text{C}$ ($\pm 0.94^{\circ}\text{F}$) @ 0°C (32°F)
 Probe Sensing Range: -20 to 60°C (-4 to 140°F)
 Wire Material: FT-6 Plenum rated cable, 22 AWG
 Probe Material: Soft Copper
 Probe Diameter: 7.94 mm (0.3125")
 Standard lengths: 1800, 3600, 6100, 7200 mm (6', 12', 20', 24')
 Output Signal: 4-20 mA current loop, 0-5 Vdc, or 0-10 Vdc (factory configured)
 Transmitter Accuracy: $\pm 0.1\%$ of span, including linearity
 4-20 mA Loop Power Supply: 15-35 Vdc or 22-32 Vac
 Minimum Loop Current: 2 mA nominal (occurs with shorted sensor)
 Maximum Loop Current: 22.5 mA nominal (occurs with open sensor)
 Maximum Loop Load: >600 ohms
 0-5 Vdc Power Supply: 10-35 Vdc or 10-32 Vac
 0-10 Vdc Power Supply: 15-35 Vdc or 15-32 Vac
 Maximum Current (Voltage): 5 mA nominal
 Maximum Output (Voltage): Limited to <5.5 Vdc for 0-5 Vdc, <10.5 Vdc for 0-10 Vdc
 Input Voltage Effect: Negligible over specified operating range
 Protection Circuitry: Reverse voltage protected and output limited
 Ambient Operating Range: -0 to 50°C (32 to 122°F), 0-95 %RH non-condensing
 Enclosure: Grey polycarbonate, UL94-V0
 Wiring Connections: Screw terminal block (14 to 22 AWG)
 Country of Origin: Canada

DIMENSIONS



PRINTED IN CANADA