



GREYSTONE ENERGY SYSTEMS INC

STRAP-ON HIGH LIMIT THERMOSTAT THSO Series

The single point strap-on high limit thermostat incorporates a precision thermistor temperature sensor and provides a Form C relay output (NO/NC) with an adjustable setpoint. The sensor is encapsulated to a 38 mm x 38 mm (1.5" x 1.5") aluminum plate and adhered to a 38 mm x 25.4 mm (1.5 x 1") compressible foam. A 254 mm (10") S/S Pipe clamp is provided to secure the assembly to various sizes of pipe. All probes are constructed to provide excellent heat transfer, fast response and are potted to resist moisture penetration. A weatherproof Polycarbonate enclosure is included for ease of installation.

SPECIFICATIONS:

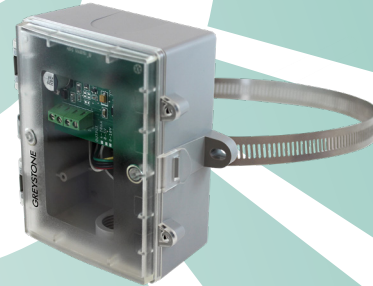
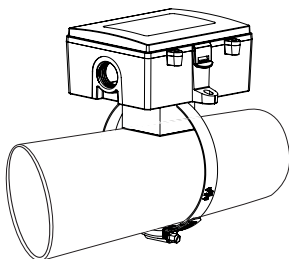
Power Supply:.....12 to 28 Vac/dc
 Consumption:.....50 mA max
 Relay Contacts:.....SPDT, Form C contacts (N.O. and N.C.)
 5 Amps @ 30 Vac/250 Vac resistive
 1.5 Amps @ 30 Vdc/250 Vac inductive
 Relay Action:.....Activates on temperature rise
 Setpoint Operation:.....Single-turn knob-pot on PCB
 Adjustable Setpoint:.....**Range 1:** 38 to 104°C (100 to 220°F)
 Range 2: 38 to 60°C (100 to 140°F)
 Setpoint Temperature:.....Low/Mid/High jumper selectable
 Differential 1.1, 2.8, 5.6°C (2, 5, 10°F)
 Temperature Sensor:.....10K ohm curve matched precision thermistor
 Sensor Accuracy:.....±0.2°C, 0 to 70°C (±0.36°F, 32 to 158°F)
 Probe Sensing Range:.....-20 to 105°C (-4 to 221°F)
 Probe Material:.....Aluminum plate with compressible foam backing
 Probe Diameter:.....38 mm (1.5") square
 Wire Material:.....PVC insulated, parallel bonded
 Operating Conditions:.....-10 to 50°C (14 to 122°F), 5 to 95% RH, non-condensing
 Storage Conditions:.....-30 to 70°C (-22 to 158°F), 5 to 95% RH, non-condensing
 Wiring Connections:.....Screw terminal block (14 to 22 AWG)
 Enclosure:.....Grey Polycarbonate UL94-V0, IP65 (NEMA 4X)
 F style includes thread adapter (1/2" NPT to M16)
 and cable gland fitting
 Country of Origin:.....Canada

TYPICAL INSTALLATION:

For complete installation and wiring details, please refer to the product installation instructions.

The strap-on temperature transmitter series can be mounted directly to various sizes of pipes and secured using a 254 mm (10") S/S pipe clamp. If necessary, remove a section of insulation from the pipe. The 254 mm (10") S/S pipe clamp is a "Quick Release" type and can be separated by moving the tightening screw so that it is perpendicular to the clamp and slide the clamp apart. Position the aluminum plate on the pipe so it makes the best contact, wrap the clamp around the pipe and re-assemble and tighten. Any excess clamp may be cut off. For best results, thermal conductive compound should be applied to pipe prior to mounting the probe.

Wiring connections are made inside the enclosure.



PART NUMBER SELECTED

PRODUCT SELECTION INFORMATION:

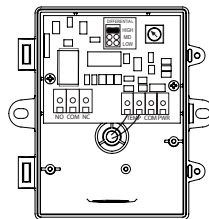
MODEL	Product Description
THSO	Strap-on High Limit High Limit Thermostat

CODE	Enclosure
B	Polycarbonate, with hinged & gasketed cover
F	Same as B, with thread adapter & cable gland fitting

CODE	Sensor
24X	10,000 Ω, Type 2, NTC Thermistor, ±0.2°C

CODE	Scaled Range
01	38 to 104°C (100 to 220°F)
02	38 to 60°C (100 to 140°F)

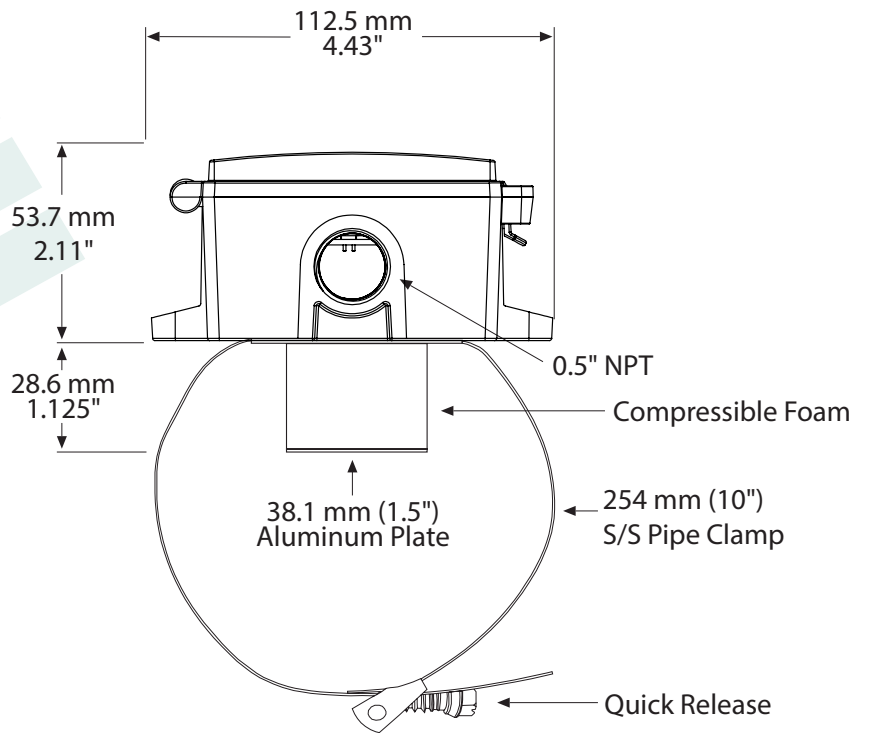
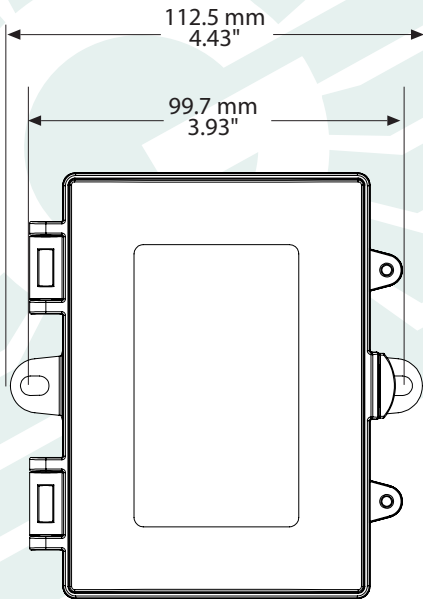
Greystone Energy Systems, Inc. reserves the right to make design modifications without prior notice.



Wiring:

Terminal	Function
PWR	Power Supply
COM	Power Supply Common
TEMP (2)	Temperature Sensor Input
NO	Relay Output - Normally Open Contact
COM	Relay Common
NC	Relay Output - Normally Closed Contact

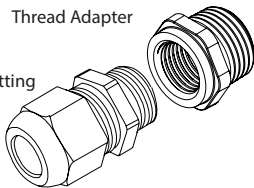
DIMENSIONS:



Included with F style enclosure

Thread Adapter

Cable Gland Fitting



GREYSTONE
ENERGY SYSTEMS INC

Greystone Energy Systems, Inc.
150 English Drive, Moncton,
New Brunswick, Canada E1E 4G7
(506) 853-3057 Fax: (506) 853-6014
North America: 1-800-561-5611
e-mail: mail@greystoneenergy.com
www.greystoneenergy.com

RoHS
COMPLIANT



Greystone Energy Systems Inc. is one of North America's largest ISO registered manufacturers of HVAC/R sensors and transmitters for Building Automation Management Systems.

We have conscientiously established a worldwide reputation as an industry leader by maintaining leading-edge design technology, prompt technical support, and a commitment to on-time deliveries. We take pride in our Quality Management System which is ISO 9001 certified, assuring our customers of consistent product reliability.

GREYSTONE HAS AN **ISO 9001** REGISTERED QUALITY SYSTEM