



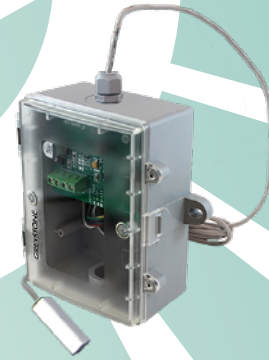
GREYSTONE ENERGY SYSTEMS INC

GLASS TEMPERATURE HIGH LIMIT THERMOSTAT THGL Series

The single point glass high limit thermostat incorporates a precision thermistor temperature sensor and provides a Form C relay output (NO/NC) with an adjustable setpoint. The sensor is encapsulated in a 31.75mm L x 9.525mm W x 9.525 mm H (1.25" x .375" x .375") Aluminum probe. Standard wire length is 1.5 m (5'). All probes are constructed to provide excellent heat transfer, fast response and are potted to resist moisture penetration. A weatherproof Polycarbonate enclosure is included for ease of installation.

SPECIFICATION:

Power Supply:.....12 to 28 Vac/dc
 Consumption:.....50 mA max
 Relay Contacts:.....SPDT, Form C contacts (N.O. and N.C.)
 5 Amps @ 30 Vac/250 Vac resistive
 1.5 Amps @ 30 Vdc/250 Vac inductive
 Relay Action:.....Activates on temperature rise
 Setpoint Operation:.....Single-turn knob-pot on PCB
 Adjustable Setpoint:.....38 to 104°C (100 to 221°F)
 Setpoint Temperature:.....Low/Mid/High jumper selectable
 Differential 1.1, 2.8, 5.6°C (2, 5, 10°F)
 Temperature Sensor:.....10K ohm curve matched precision thermistor
 Sensor Accuracy:.....±0.2°C, 0 to 70°C (±0.36°F, 32 to 158°F)
 Probe Sensing Range:.....-20 to 105°C (-4 to 221°F)
 Probe Material:.....Aluminum
 Probe Diameter:.....31.75 mm L x 9.525 mm W x 9.525 mm H
 (1.25" x 0.375" x 0.375")
 Wire Length:.....1.5 m (5')
 Wire Material:.....PVC insulated, parallel bonded
 Operating Conditions:.....-10 to 50°C (14 to 122°F), 5 to 95% RH, non-condensing
 Storage Conditions:.....-30 to 70°C (-22 to 158°F), 5 to 95% RH, non-condensing
 Wiring Connections:.....Screw terminal block (14 to 22 AWG)
 Enclosure:.....Grey Polycarbonate UL94-V0, IP65 (NEMA 4X)
 F style includes thread adapter (1/2" NPT to M16)
 and cable gland adapter
 Country of Origin:.....Canada



PART NUMBER SELECTED

PRODUCT SELECTION INFORMATION:

MODEL	Product Description
THGL	Glass High Limit Thermostat
CODE	Enclosure
B	Polycarbonate, with hinged & gasketed cover
F	Same as B, with thread adapter & cable gland
CODE	Sensor
24X	10,000 Ω, Type 2, NTC Thermistor, ±0.2°C
CODE	Scaled Range
01	38 to 104°C (100 to 220°F)

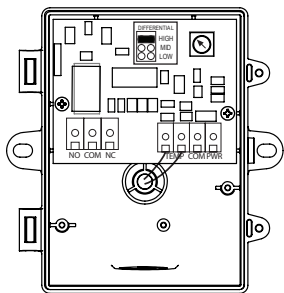
Greystone Energy Systems, Inc. reserves the right to make design modifications without prior notice.

TYPICAL INSTALLATION:

For complete installation and wiring details, please refer to the product installation instructions.

Find a suitable location on an exterior window where both the probe and enclosure can be mounted. On one side apply epoxy compound and press firmly against the glass. Hold in place until the epoxy has set.

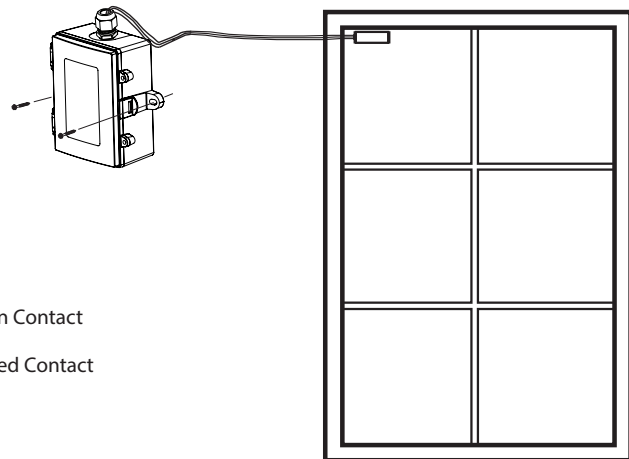
Enclosure provides mounting tabs for ease of installation.



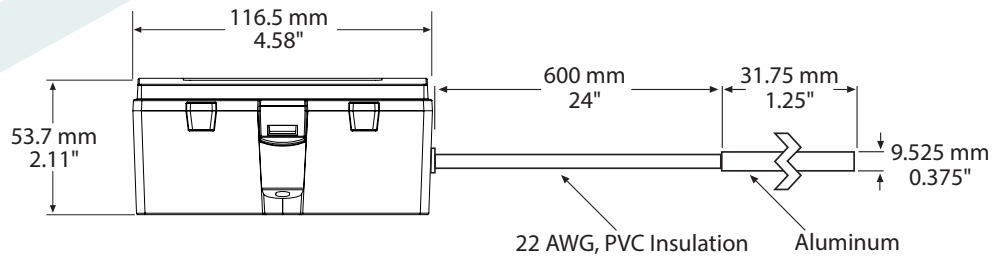
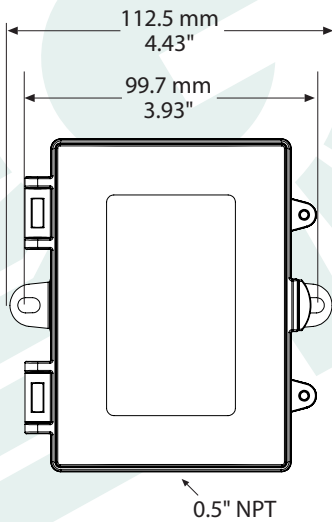
Wiring:

Terminal	Function
PWR	Power Supply
COM	Power Supply Common
TEMP (2)	Temperature Sensor Input

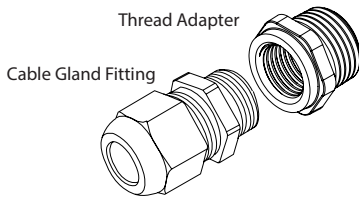
NO	Relay Output - Normally Open Contact
COM	Relay Common
NC	Relay Output - Normally Closed Contact



DIMENSIONS:



Included with F style enclosure



GREYSTONE
ENERGY SYSTEMS INC

Greystone Energy Systems, Inc.
150 English Drive, Moncton,
New Brunswick, Canada E1E 4G7
(506) 853-3057 Fax: (506) 853-6014
North America: 1-800-561-5611
e-mail: mail@greystoneenergy.com
www.greystoneenergy.com

RoHS
COMPLIANT



Greystone Energy Systems Inc. is one of North America's largest ISO registered manufacturers of HVAC/R sensors and transmitters for Building Automation Management Systems.

We have conscientiously established a worldwide reputation as an industry leader by maintaining leading-edge design technology, prompt technical support, and a commitment to on-time deliveries. We take pride in our Quality Management System which is ISO 9001 certified, assuring our customers of consistent product reliability.

GREYSTONE HAS AN **ISO 9001** REGISTERED QUALITY SYSTEM