



GREYSTONE ENERGY SYSTEMS INC

FLEX-DUCT AVERAGE HIGH LIMIT THERMOSTAT THDF Series

The flexible, multi-point duct averaging high limit thermostat incorporates several precision thermistor temperature sensors and provides a Form C relay output (NO/NC) with an adjustable setpoint. The probe is FT-6 plenum rated cable and is available in various lengths (see ordering chart). All probes are constructed to provide excellent heat transfer and a fast response. A weatherproof Polycarbonate enclosure with a hinged and gasketed cover is included for ease of installation.



SPECIFICATIONS:

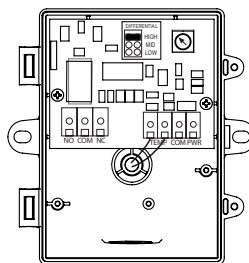
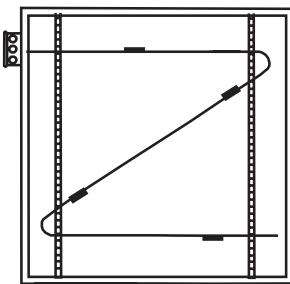
- Power Supply:.....12 to 28 Vac/dc
- Consumption:.....50 mA max
- Relay Contacts:.....SPDT, Form C contacts (N.O. and N.C.)
5 Amps @ 30 Vac/250 Vac resistive
1.5 Amps @ 30 Vdc/250 Vac inductive
- Relay Action:.....Activates on temperature rise
- Setpoint Operation:.....Single-turn knob-pot on PCB
- Adjustable Setpoint:.....38 to 60°C (100 to 140°F)
- Setpoint Temperature:.....Low/Mid/High jumper selectable
Differential 1.1, 2.8, 5.6°C (2, 5, 10°F)
- Temperature Sensor:.....10K ohm curve matched precision thermistor
- Sensor Accuracy:.....±0.2°C, 0 to 70°C (±0.36°F, 32 to 158°F)
- Probe Sensing Range:.....-20 to 60°C (-4 to 140°F)
- Probe Material:.....304 Series Stainless Steel
- Probe Diameter:.....6 mm (0.236")
- Probe Length:.....1800 mm, 3600 mm, 6100 mm, 7300 mm (6', 12', 20', 24')
- Wire Material:.....FT-6 Plenum-rated cable
- Operating Conditions:.....-10 to 50°C (14 to 122°F), 5 to 95% RH, non-condensing
- Storage Conditions:.....-30 to 70°C (-22 to 158°F), 5 to 95% RH, non-condensing
- Wiring Connections:.....Screw terminal block (14 to 22 AWG)
- Enclosure:.....Grey Polycarbonate UL94-V0, IP65 (NEMA 4X)
F style includes thread adapter (1/2" NPT to M16)
and cable gland fitting
- Country of Origin:.....Canada

TYPICAL INSTALLATION:

For complete installation and wiring details, please refer to the product installation instructions.

The flex-duct average probes are installed through a hole in the side of the duct to monitor an average temperature within the duct. Select a probe length that allows for criss-crossing the duct multiple times. Install the probes in a straight section of duct at a suitable distance downstream from any heating, cooling or humidification elements.

The enclosure provides mounting tabs for ease of installation.



Wiring:

Terminal	Function
PWR	Power Supply
COM	Power Supply Common
TEMP (2)	Temperature Sensor Input
NO	Relay Output - Normally Open Contact
COM	Relay Common
NC	Relay Output - Normally Closed Contact

PART NUMBER SELECTED

PRODUCT SELECTION INFORMATION:

MODEL	Product Description
THDF	Flexible Cable Duct Average High Limit Thermostat

CODE	Enclosure
B	Polycarbonate, with hinged & gasketed cover
F	Same as B, with thread adapter & cable gland fitting

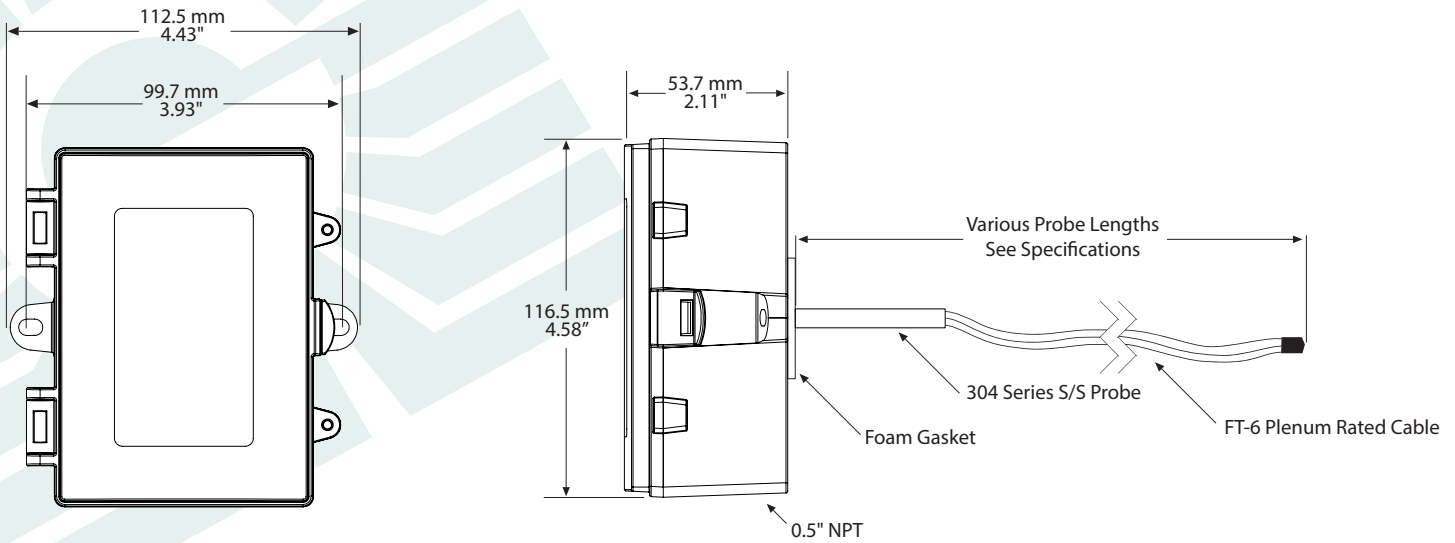
CODE	Display Units
24	10,000 Ω, Type 2, NTC Thermistor, ±0.2°C

CODE	Cable Length
I	1800 mm (6')
J	3600 mm (12')
K	6100 mm (20')
L	7300 mm (24')

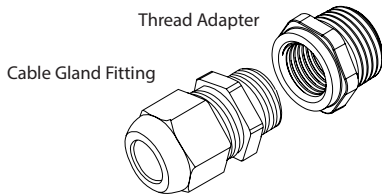
CODE	Adjustable Setpoint Range
02	38 to 60°C (100 to 140°F)

Greystone Energy Systems, Inc. reserves the right to make design modifications without prior notice.

DIMENSIONS:



Included with F style enclosure




GREYSTONE
ENERGY SYSTEMS INC
 Greystone Energy Systems, Inc.
 150 English Drive, Moncton,
 New Brunswick, Canada E1E 4G7
 (506) 853-3057 Fax: (506) 853-6014
 North America: 1-800-561-5611
 e-mail: mail@greystoneenergy.com
 www.greystoneenergy.com

RoHS
 COMPLIANT



Greystone Energy Systems Inc. is one of North America's largest ISO registered manufacturers of HVAC/R sensors and transmitters for Building Automation Management Systems.

We have conscientiously established a worldwide reputation as an industry leader by maintaining leading-edge design technology, prompt technical support, and a commitment to on-time deliveries. We take pride in our Quality Management System which is ISO 9001 certified, assuring our customers of consistent product reliability.

GREYSTONE HAS AN **ISO 9001** REGISTERED QUALITY SYSTEM