

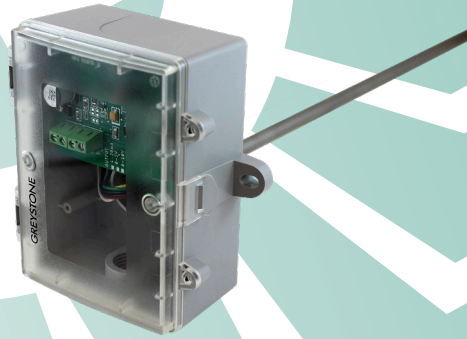


GREYSTONE

ENERGY SYSTEMS INC

ALL PURPOSE HIGH LIMIT THERMOSTAT THAP Series

The single point duct/immersion high limit thermostat incorporates a precision thermistor sensor and provides a Form C relay output (NO/NC) with an adjustable setpoint. The sensor is encapsulated in a 6mm (0.236") OD, 304 stainless steel probe and is available in various lengths (see ordering chart). All probes provide excellent heat transfer, fast response and resist moisture penetration. A weatherproof, polycarbonate enclosure is provided for ease of installation.



SPECIFICATIONS:

Power Supply:.....12 to 28 Vac/dc
 Consumption:.....50 mA max
 Relay Contacts:.....SPDT, Form C contacts (N.O. and N.C.)
 5 Amps @ 30 Vac/250 Vac resistive
 1.5 Amps @ 30 Vdc/250 Vac inductive
 Relay Action:.....Activates on temperature rise
 Setpoint Operation:.....Single-turn knob-pot on PCB
 Adjustable Setpoint:.....**Range 1:** 38 to 104°C (100 to 220°F)
 Range 2: 38 to 60°C (100 to 140°F)
 Setpoint Temperature:.....Low/Mid/High jumper selectable
 Differential 1.1, 2.8, 5.6°C (2, 5, 10°F)
 Temperature Sensor:.....10K ohm curve matched precision thermistor
 Sensor Accuracy:.....±0.2°C, 0 to 70°C (±0.36°F, 32 to 158°F)
 Probe Sensing Range:.....-20 to 105°C (-4 to 221°F)
 Probe Material:.....304 Series Stainless Steel
 Probe Diameter:.....6 mm (0.236")
 Probe Length:.....50 mm, 100 mm, 150 mm, 200 mm, 300 mm, 450 mm
 (2", 4", 6", 8", 12", 18")
 Wire Material:.....PVC insulated, parallel bonded
 Operating Conditions:.....-10 to 50°C (14 to 122°F), 5 to 95% RH, non-condensing
 Storage Conditions:.....-30 to 70°C (-22 to 158°F), 5 to 95% RH, non-condensing
 Wiring Connections:.....Screw terminal block (14 to 22 AWG)
 Enclosure:.....Grey Polycarbonate UL94-V0, IP65 (NEMA 4X)
 F style includes thread adapter (1/2" NPT to M16)
 and cable gland fitting
 Country of Origin:.....Canada

PART NUMBER SELECTED

PRODUCT SELECTION INFORMATION:

MODEL	Product Description
THAP	All Purpose Duct/Immersion High Limit Thermostat
CODE	Enclosure
B	Polycarbonate, with hinged & gasketed cover
F	Same as B, with thread adapter & cable gland fitting
CODE	Sensor
24	10,000 Ω, Type 2, NTC Thermistor, ±0.2°C
CODE	Probe Length
A	50 mm (2")
B	100 mm (4")
C	150 mm (6")
D	200 mm (8")
E	300 mm (12")
F	450 mm (18")
CODE	Scaled Range
01	38 to 104°C (100 to 220°F)
02	38 to 60°C (100 to 140°F)

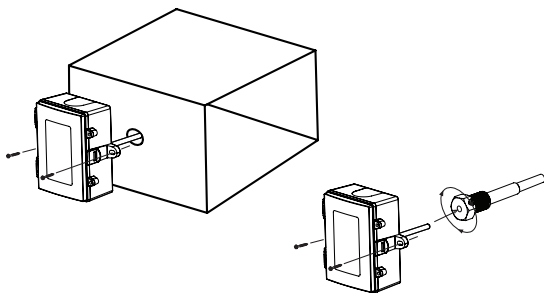
Greystone Energy Systems, Inc. reserves the right to make design modifications without prior notice.

TYPICAL INSTALLATION:

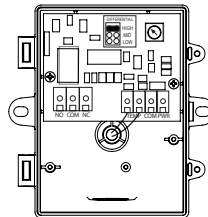
For complete installation and wiring details, please refer to the product installation instructions.

The duct type probes are installed through a hole in the side of the duct to monitor a single point temperature within the duct. Since the probes are tip sensitive, select a probe length that places the sensor well into the duct. Install the probe in a straight section of duct at a suitable distance downstream from any heating, cooling or humidification devices.

The enclosure provides mounting tabs for ease of installation.



For immersion applications, T2 series thermowell is required.



Wiring:

Terminal

PWR
COM
TEMP (2)

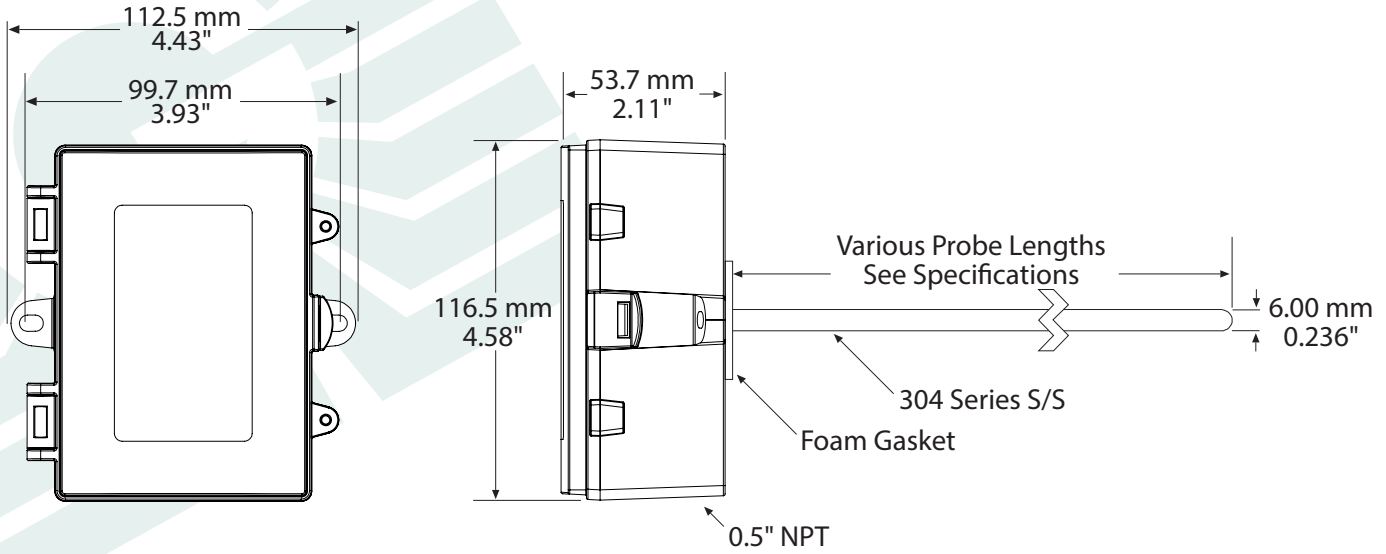
NO
COM
NC

Function

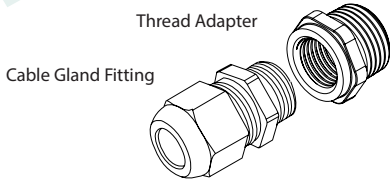
Power Supply
Power Supply Common
Temperature Sensor Input

Relay Output - Normally Open Contact
Relay Common
Relay Output - Normally Closed Contact

DIMENSIONS:



Included with F style enclosure



GREYSTONE
ENERGY SYSTEMS INC
 Greystone Energy Systems, Inc.
 150 English Drive, Moncton,
 New Brunswick, Canada E1E 4G7
 (506) 853-3057 Fax: (506) 853-6014
 North America: 1-800-561-5611
 e-mail: mail@greystoneenergy.com
 www.greystoneenergy.com

RoHS
 COMPLIANT

MADE IN CANADA

ISO 9001

Greystone Energy Systems Inc. is one of North America's largest ISO registered manufacturers of HVAC/R sensors and transmitters for Building Automation Management Systems. We have conscientiously established a worldwide reputation as an industry leader by maintaining leading-edge design technology, prompt technical support, and a commitment to on-time deliveries. We take pride in our Quality Management System which is ISO 9001 certified, assuring our customers of consistent product reliability.

GREYSTONE HAS AN **ISO 9001** REGISTERED QUALITY SYSTEM