



# GREYSTONE ENERGY SYSTEMS INC

## S/S SURFACE TEMPERATURE TRANSMITTER TE500AS Series

The TE500AS series is an low profile, single gang, stainless steel plate that incorporates a precision platinum RTD and a transmitter that provides a high accuracy signal with excellent long-term stability, low hysteresis and fast response for measurement of room temperatures.

### SPECIFICATION:

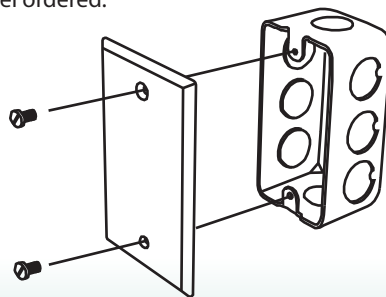
Sensor.....100 ohm Platinum RTD or 1000 ohm Platinum RTD  
 Sensor Accuracy.....±0.3°C (±0.54°F) @ 0°C (32°F)  
 Output Signal.....4-20mA current loop, 0-5 vdc, or 0-10 Vdc (factory configured)  
 Transmitter Accuracy.....±0.1% of span, including linearity  
 4-20 mA loop power Supply .....15-35 Vdc or 22-32 Vac  
 Minimum Current Loop .....2 mA nominal (occurs with shorted sensor)  
 Maximum loop Current.....22.5 mA nominal (occurs with open sensor)  
 Maximum Loop Load.....>600 ohms  
 0-5 Vdc Power Supply.....10-35 vdc or 10-32 Vac  
 0-10 Vdc Power Supply.....15-35 Vdc or 15-32 Vac  
 Maximum Current (Voltage).....5 mA nominal  
 Maximum Output (Voltage) .....limited to <5.5 Vdc for 0-5 Vdc, <10.5 for 0-10 vdc  
 Input Voltage Effect.....Negligible over specified operating range  
 RFI rejection.....Good RFI rejection of normal frequencies  
 Protection Circuitry.....Reverse voltage protected and output limited  
 Operating Conditions .....0 - 70°C (32 - 158°F), 0-95% RH non-condensing  
 Enclosure.....Stainless Steel - IP50 (NEMA 1)  
 Wiring Connections.....Screw terminal block (14 to 22 AWG)

### TYPICAL INSTALLATION:

**For complete installation and wiring details, please refer to the product installation instructions.**

The TE500AS series can be mounted directly to a single gang electrical box or directly to a wall. Insulating foam is adhered to the back of the enclosure to provide a thermal barrier from internal wall temperatures.

The sensor is either a 2 wire or 3 wire connections to the Building Automation System depending on the output model ordered.



### PART NUMBER SELECTED

### PRODUCT SELECTION INFORMATION:

MODEL	Product Description
TE500AS	S/S Surface Temperature Transmitter

CODE	Sensor
2	100 Ω Platinum, IEC 751, 385 Alpha, thin film
12	1000 Ω Platinum, IEC 751, 385 Alpha, thin film <b>(Standard)</b>

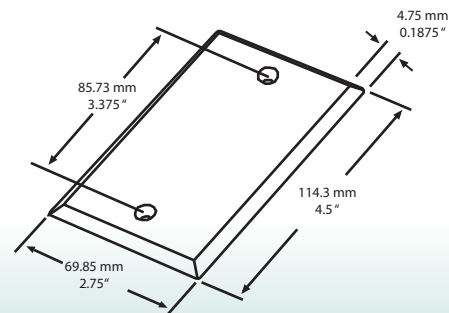
CODE	Transmitter Output Signal
1A	Current 4-20 mA
1D	Voltage 0-5 Vdc
1E	Voltage 0-10 Vdc

CODE	Transmitter Ranges
1	0° - 35°C (32° - 95°F)
2	0° - 50°C (32° - 122°F)
*	Custom range, please contact Greystone

CODE	Options
TP	Tamperproof Screws

Greystone Energy Systems, Inc. reserves the right to make design modifications without prior notice.

### Custom Temperature Range:



Greystone Energy Systems, Inc. (506) 853-3057 Fax: (506) 853-6014  
 150 English Drive, Moncton, North America: 1-800-561-5611  
 New Brunswick, Canada E1E 4G7 e-mail: mail@greystoneenergy.com  
 www.greystoneenergy.com

**RoHS**  
COMPLIANT

