



GREYSTONE ENERGY SYSTEMS INC

ROOM DESIGNER TEMPERATURE TRANSMITTER TE500AD Series

The TE500AD series is an attractive, low profile enclosure that incorporates a precision platinum RTD and a transmitter that provides a high accuracy signal with excellent long-term stability, low hysteresis and fast response for measurement of room temperatures.

SPECIFICATION:

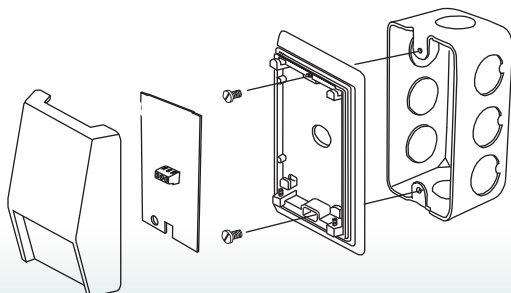
Sensor..... 100 ohm Platinum RTD or 1000 ohm Platinum RTD
 Sensor Accuracy..... $\pm 0.3^{\circ}\text{C}$ ($\pm 0.54^{\circ}\text{F}$) @ 0°C (32°F)
 Output Signal..... 4-20mA current loop, 0-5 vdc, or 0-10 Vdc (factory configured)
 Transmitter Accuracy..... $\pm 0.1\%$ of span, including linearity
 4-20 mA loop power Supply 15-35 Vdc or 22-32 Vac
 Minimum Current Loop 2 mA nominal (occurs with shorted sensor)
 Maximum loop Current..... 22.5 mA nominal (occurs with open sensor)
 Maximum Loop Load >600 ohms
 0-5 Vdc Power Supply 10-35 vdc or 10-32 Vac
 0-10 Vdc Power Supply..... 15-35 Vdc or 15-32 Vac
 Maximum Current (Voltage)..... 5 mA nominal
 Maximum Output (Voltage) limited to <5.5 Vdc for 0-5 Vdc, <10.5 for 0-10 vdc
 Input Voltage Effect Negligible over specified operating range
 RFI rejection..... Good RFI rejection of normal frequencies
 Protection Circuitry..... Reverse voltage protected and output limited
 Operating Conditions 0 - 70°C (32 - 158°F), 0-95% RH non-condensing
 Enclosure..... White ABS - IP20 (NEMA 1)
 Wiring Connections..... Screw terminal block (14 to 22 AWG)

TYPICAL INSTALLATION:

For complete installation and wiring details, please refer to the product installation instructions.

The TE500AD series can be mounted directly to a single gang electrical box or directly to a wall. Insulating foam is adhered to the back of the enclosure to provide a thermal barrier from internal wall temperatures.

The sensor is either a 2 wire or 3 wire connections to the Building Automation System depending on the output model ordered.



PART NUMBER SELECTED

PRODUCT SELECTION INFORMATION:

MODEL	Product Description
TE500AD	Room Designer Temperature Transmitter

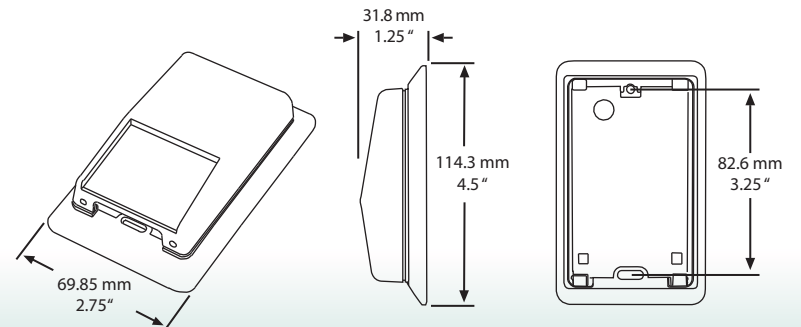
CODE	Sensor
2	100 Ω Platinum, IEC 751, 385 Alpha, thin film
12	1000 Ω Platinum, IEC 751, 385 Alpha, thin film (Standard)

CODE	Transmitter Output Signal
1A	Current 4-20 mA
1D	Voltage 0-5 Vdc
1E	Voltage 0-10 Vdc

CODE	Transmitter Ranges
1	0° - 35°C (32° - 95°F)
2	0° - 50°C (32° - 122°F)
*	Custom range, please contact Greystone

Greystone Energy Systems, Inc. reserves the right to make design modifications without prior notice.

Custom Temperature Range:



Greystone Energy Systems, Inc. (506) 853-3057 Fax: (506) 853-6014
 150 English Drive, Moncton, North America: 1-800-561-5611
 New Brunswick, Canada E1E 4G7 e-mail: mail@greystoneenergy.com
 www.greystoneenergy.com

