



GREYSTONE ENERGY SYSTEMS INC

THERMOWELLS T2 Series

The T2 series thermowell are available in 304 series and 316 series stainless steel. They are available in a wide range of lengths. Custom lengths and materials are also available.



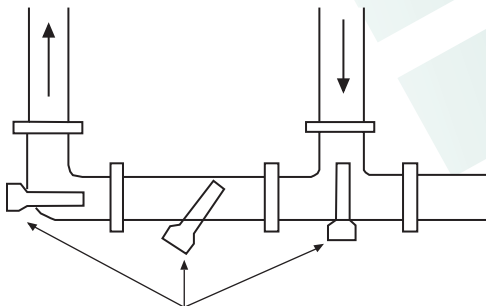
SPECIFICATIONS:

Material P - 304 Series stainless steel
R - 316 Series stainless steel

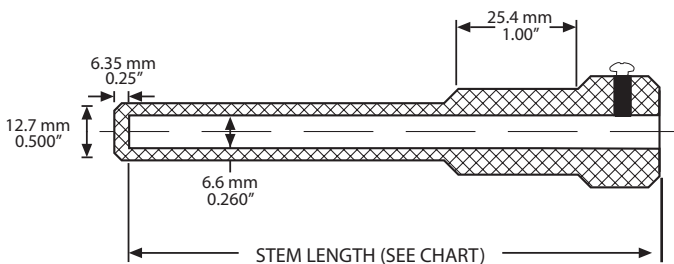
Length 2", 4", 6", 8", 12", & 18" Standard
Custom lengths available

Thread Size..... 1/2" NPT or BSPT

ConstructionMachined Construction



Thermowell placement in pipe



PART NUMBER SELECTED

PRODUCT SELECTION INFORMATION:

MODEL	Product Description
T2	Thermowell with Set Screw

CODE	External Thread Size
1/2	1/2"

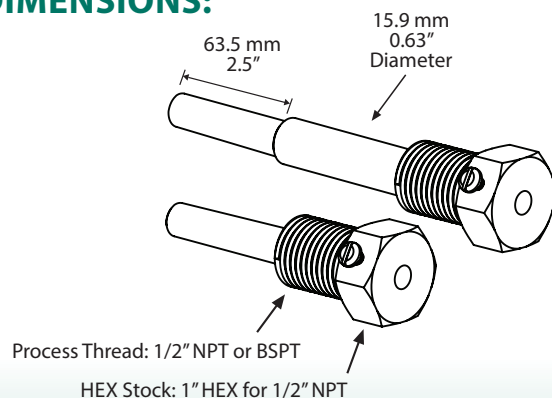
CODE	External Thread Type
N	NPT
B	BSPT

CODE	Length
2	50 mm (2")
4	100 mm (4")
6	150 mm (6")
8	200 mm (8")
12	300 mm (12")
18	450mm (18")

CODE	Material
P	304 Series Stainless Steel
R	316 Series Stainless Steel

Greystone Energy Systems, Inc. reserves the right to make design modifications without prior notice.

DIMENSIONS:



Greystone Energy Systems, Inc.
150 English Drive, Moncton, NB
Canada E1E 4G7

(506)853-3057 Fax: (506)853-6014
North America: 1-800-561-5611
e-mail: mail@greystoneenergy.com
www.greystoneenergy.com

RoHS
COMPLIANT

