

INTRODUCTION

The room temperature sensor series incorporates a precision platinum RTD or NTC thermistor in an attractive wall mount enclosure for the most efficient environmental monitoring and control systems.

BEFORE INSTALLATION

Read these instructions carefully before installing and commissioning the temperature sensor. Failure to follow these instructions may result in product damage. Do not use in an explosive or hazardous environment, with combustible or flammable gases, as a safety or emergency stop device or in any other application where failure of the product could result in personal injury. **Do not exceed device ratings.**

MOUNTING

The room temperature sensor installs directly to the wall. The temperature sensor should be mounted five feet from the floor of the area to be controlled. Do not mount the sensor near doors, opening windows, supply air diffusers or other known air disturbances. Avoid areas where the sensor is exposed to vibrations.

Begin by removing the cover. Grasp the back of the enclosure and pull on the front to remove the cover, see Figure 1.

Feed connection wires through the center hole on the backplate, then secure the backplate to the wall using wall mounting tabs. Tap the mounting tabs into the wall and then screw the backplate into the mounting tabs using suitable screws (not supplied). See Figure 2. The bottom mounting hole allows for side to side movement.

Make wire connections as per the "Wiring" section on Page 2.

Re-install decorative cover by snapping it directly to the backplate.

WIRING

- Follow proper electrostatic discharge (ESD) handling procedures when installing the device or equipment damage may occur.
- Use 22 AWG shielded wiring for all connections and do not locate the device wires in the same conduit with wiring used to supply inductive loads such as motors. Connect the cable shield to ground at the controller only. Make all connections in accordance with national and local codes.

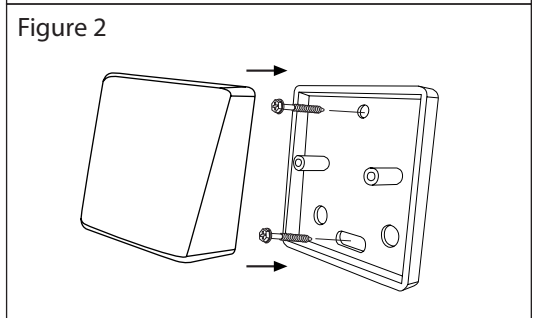
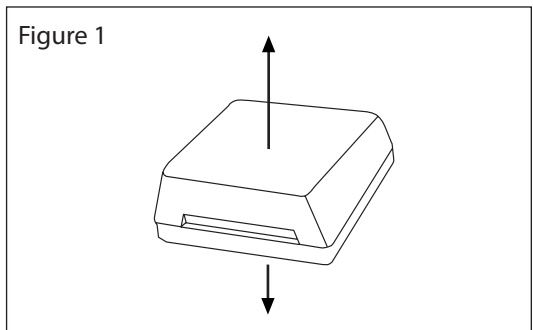
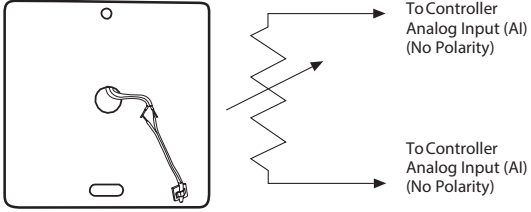
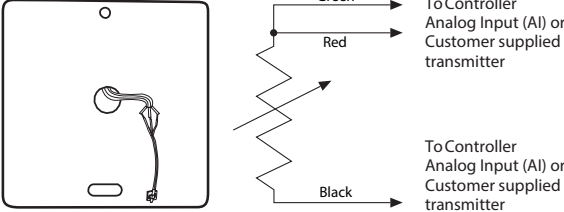
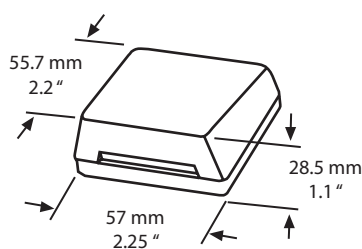


Figure 3	2 Wire Termination for Thermistor or RTD	3 Wire Termination for Thermistor or RTD
		

DIMENSIONS



SPECIFICATIONS

Sensor Type	Thermistors: 1801 Ω, 3K, 10K (type 2 & 3), 20K IC Sensor
Temperature Range	Ni RTD's: 100 Ω, 1K PT, 1K Ω Ni 0 to 50°C (32 to 122°F)
Cable Material	PVC insulated, parallel bonded (100 Ω, IC sensors - twisted 3 wire)
Wiring Connections	Pigtail, 2 or 3 wire
Enclosure	White ABS, IP20 (NEMA 1)
Dimensions	57mm W x 55.7 H x 28.5mm D (2.25" x 2.2" x 1.1")
Country of Origin	Canada