



GREYSTONE ENERGY SYSTEMS INC

STACK TEMPERATURE SENSOR TE200H Series

The H series single point rigid stack temperature sensor utilizes a precision, high temperature rated platinum RTD sensor that is encapsulated in 6.35 mm (0.25") OD, 304 series stainless steel probe and is available in various lengths (see ordering chart) All probes provide excellent heat transfer, fast response and resistance to moisture penetration. A weatherproof enclosure is provide for wire termination.

SPECIFICATION:

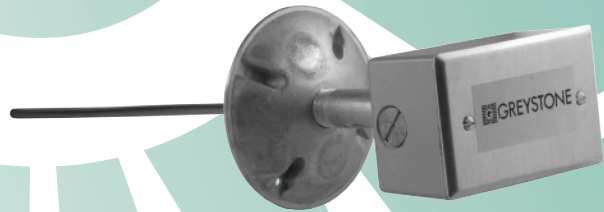
Sensor Type:.....100 or 1000 Ω Platinum RTD, wire wound
3 wire, IEC751, 385 Alpha
Temperature Range:..-100 to 600 °C (-148 to 1112 °F)
Wire Type:.....22 AWG, Fiberglass jacket
Probe Material:.....304 Series Stainless Steel
Probe Dimensions:.....0.25" (6.35 mm) Diameter
Enclosure:.....Weatherproof, Cast Alum. - IP64 (NEMA 3X)
Termination:.....Pigtail 3 wire

TYPICAL INSTALLATION:

For complete installation and wiring details, please refer to the product installation instructions.

The stack type probes are installed in the side of an exhaust stack to monitor the flue gas temperatures. Select a probe length that allows the probe tip to close to the center of the stack. Install the probe through a hole in the side of the stack and mount by securing the flange directly on the side.

A weatherproof enclosure is provided for wiring connections.



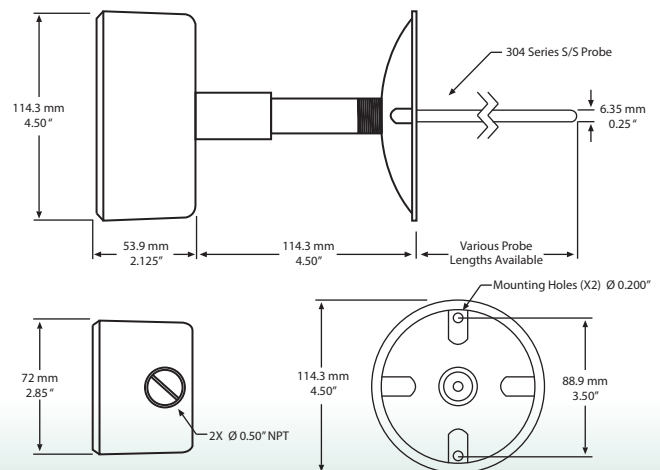
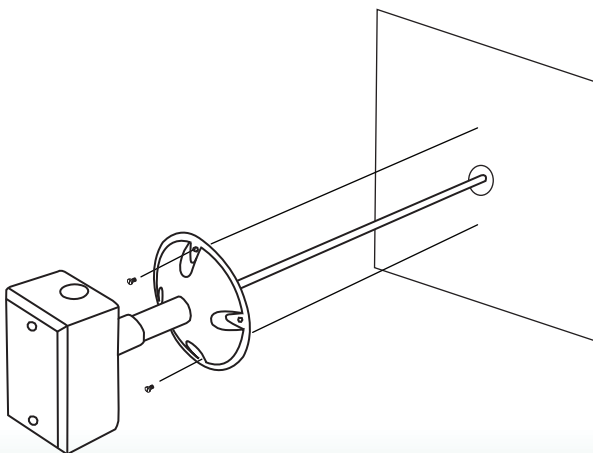
PART NUMBER SELECTED

PRODUCT SELECTION INFORMATION:

MODEL	Product Description
TE200H	Stack Temperature Sensor

CODE	Sensor
4	100 Ω Platinum, 3 wire, IEC 751, 385 Alpha, wire wound
28	1000 Ω Platinum, 3 wire, IEC 751, 385 Alpha, wire wound

CODE	Probe Length
A2	50 mm (2")
B2	100 mm (4")
C2	150 mm (6")
D2	200 mm (8")
E2	300 mm (12")
F2	450 mm (18")



Greystone Energy Systems, Inc. (506) 853-3057 Fax: (506) 853-6014
150 English Drive, Moncton, North America: 1-800-561-5611
New Brunswick, Canada E1E 4G7 e-mail: mail@greystoneenergy.com
www.greystoneenergy.com

