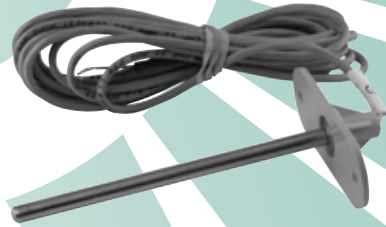




The TE200BB single point duct temperature sensor utilizes a precision sensor encapsulated in a 6.35 mm (0.25") OD, 304 series stainless steel probe and is available in various lengths (see ordering chart) All probes provide excellent heat transfer, fast response and resistance to moisture penetration. The TE200BB comes with an integrated mounting bracket and 3.05 m (10') of plenum rated cable for connection to the Building Automation System.



SPECIFICATION:

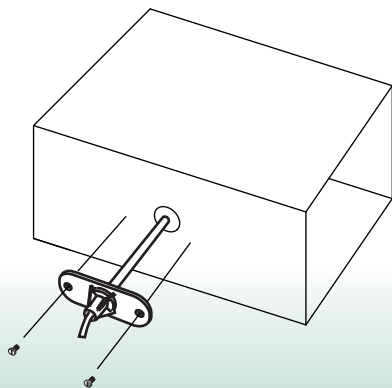
Sensor TypeThermistor or RTD
See Ordering Chart
Temperature Range.....-20 to 60 °C (-4 to 140 °F)
Higher Ranges Available
Contact Greystone
Wire MaterialPlenum rated FT-6
Wire Length3.05 m (10')
Probe Material304 Series stainless steel
Probe Dimensions.....6.35 mm (0.250") Diameter
Bracket MaterialABS - UL94-5VB
TerminationPigtail 2 or 3 wire

TYPICAL INSTALLATION:

For complete installation and wiring details, please refer to the product installation instructions.

The duct type probes are installed through a hole in the side of the duct to monitor a single point temperature within the duct. Since the probes are tip sensitive, select a probe length that places the sensor well into the duct. Install the probe into a straight section of duct at a suitable distance downstream from any heating, cooling or humidification devices.

Two holes are provided on the bracket to secure the sensor to the duct.



PART NUMBER SELECTED

PRODUCT SELECTION INFORMATION:

MODEL	Product Description
TE200BB	Duct Temperature Sensor

CODE	Sensor
2	100 Ω Platinum IEC 751, 385 Alpha, thin film, ±0.3°C @ 0°C
5	1801 Ω, NTC Thermistor, ±0.2° C
6	3000 Ω, NTC Thermistor, ±0.2° C
7	10,000 Ω, Type 3, NTC Thermistor, ±0.2° C
8	2.252K Ω, NTC Thermistor, ±0.2° C
12	1000 Ω Platinum, IEC 751, 385 Alpha, thin film, ±0.3°C @ 0°C
13	1000 Ω Nickel, Class B, DIN 43760, ±0.4°C @ 0°C
14	10,000 Ω, Type 3, NTC Thermistor, ±0.2° C c/w 11K shunt resistor
20	20,000 Ω, NTC Thermistor, ±0.2° C
24	10,000 Ω, Type 2, NTC Thermistor, ±0.2° C

CODE	Probe Length
A2	50 mm (2")
B2	100 mm (4")
C2	150 mm (6")
D2	200 mm (8")
E2	300 mm (12")
F2	450 mm (18")

Greystone Energy Systems, Inc. reserves the right to make design modifications without prior notice.

Dimensions:

