



GREYSTONE ENERGY SYSTEMS INC

S/S SURFACE TEMPERATURE SENSOR TE200AS Series

The TE200AS series is a single gang, blank stainless steel wall plate that incorporates a precision temperature sensor used to monitor room temperatures where additional security is required. Additional options are available that include manual override.



SPECIFICATION:

Sensor Type Thermistor or RTD
See Ordering Chart

Temperature Range..... -20 to 93 °C (-4 to 200 °F)

Enclosure..... Stainless Steel - IP50 (NEMA 1)

Dimensions..... 114.3mm L x 69.85mm W x 4.75 mm D
(4.5" x 2.75" x 0.1875")

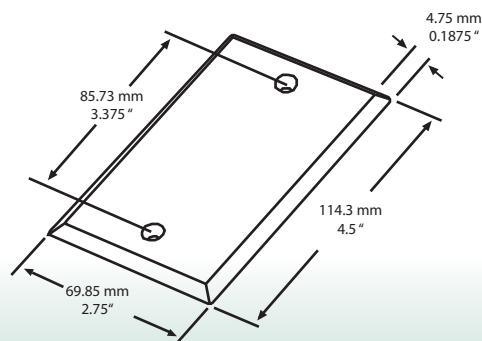
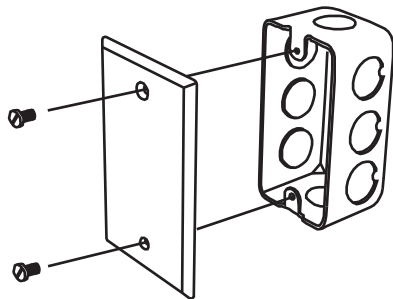
Termination Sensor Only: Pigtail 2 or 3 wire
Sensor with Options: Terminal Block

TYPICAL INSTALLATION:

For complete installation and wiring details, please refer to the product installation instructions.

The TE200AS series can be flush mounted directly to a single gang electrical box or directly to a wall. Insulating foam is adhered to the back of the wall plate to provide a thermal barrier from internal wall temperatures.

A pigtail is used for connection to the Building Automation System.



PART NUMBER SELECTED

PRODUCT SELECTION INFORMATION:

MODEL	Product Description
TE200AS	Stainless Steel Surface Temperature Sensor

CODE	Sensor
2	100 Ω Platinum, IEC 751, 385 Alpha, thin film
5	1801 Ω, NTC Thermistor, ±0.2 C
6	3000 Ω, NTC Thermistor, ±0.2 C
7	10,000 Ω, Type 3, NTC Thermistor, ±0.2 C
8	2.252 KΩ, NTC Thermistor, ±0.2 C
12	1000 Ω Platinum, IEC 751, 385 Alpha, thin film
13	1000 Ω Nickel, Class B, DIN 43760
14	10,000 Ω, Type 3, NTC Therm., ±0.2 C c/w 11K shunt resistor
20	20,000 Ω, NTC Thermistor, ±0.2 C
24	10,000 Ω, Type 2, NTC Thermistor, ±0.2 C

CODE	Options (Multiple selections can be made)
BS	Exposed push button momentary switch - N.O.
GB	Grayhill exposed pushbutton, (N.O.), SPST, 3A
LY	Yellow LED
LR	Red LED
LG	Green LED
CJ	3.5 mm Phono jack for remote system access
TP	Tamperproof Screws
GS	Greystone Customized Version (TE200AS*GS***)

Greystone Energy Systems, Inc. reserves the right to make design modifications without prior notice.

Due to the many possible configurations, special part numbers may be required. Please contact Greystone for more information

TE200AS*GS* Description:**

Greystone Energy Systems, Inc.
150 English Drive, Moncton, NB
Canada E1E 4G7

(506) 853-3057 Fax: (506) 853-6014
North America: 1-800-561-5611
e-mail: mail@greystoneenergy.com
www.greystoneenergy.com

