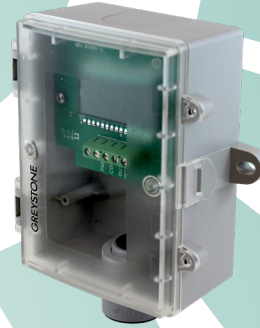




# GREYSTONE ENERGY SYSTEMS INC

## HEAVY DUTY ROOM TEMPERATURE TRANSMITTER with LCD TDHR Series

The heavy duty room temperature transmitter incorporates a precision platinum RTD in a weatherproof enclosure with a sun and wind shield to monitor outside temperature levels. A transmitter that provides a high accuracy signal with excellent long term stability, low hysteresis and fast response is available with various ranges. A polycarbonate enclosure with a hinged and gasketed cover is provided for ease of installation. An LCD is provided in either °C or °F.



### SPECIFICATIONS:

Sensor Type:.....1000 ohm platinum RTD  
 Sensor Accuracy:.....±0.3°C (±0.94°F) @ 0°C (32°F)  
 Wire Material:.....PVC insulated, parallel bonded, 22 AWG  
 Probe Sensing Range:.....-40 to 50°C (-40 to 122°F)  
 Output Signal:.....4-20 mA current loop, 0-5 vdc, or 0-10 vdc (factory configured)  
 Transmitter Accuracy:.....±0.2% of span, including linearity  
 Power Supply:.....15 to 30 Vdc, 12 to 28 Vac  
 Consumption (max):.....20 mA for current, 11 mA for voltage  
 Protection Circuitry:.....Reverse voltage protected and output limited  
 Output Drive @ 24 Vdc:.....700 ohms max for current output, 20K ohms min for voltage output  
 LCD Display Units:.....°C or °F (factory configured)  
 Display Range:.....3 digit for -88.8 to 888 as required  
 Display Size:.....38.1 mm W x 16.5 mm H (1.5" to 0.65")  
 Digit Height:.....11.4 mm (0.45") plus °C/°F symbol  
 Ambient Operating Range:.....0 to 50°C (32 to 122°F), 0-95 %RH  
 Enclosure:.....Grey polycarbonate UL94-V0, IP65 (NEMA 4X)  
 Wiring Connections:.....Screw terminal block (14 to 22 AWG)  
 Country of Origin:.....Canada

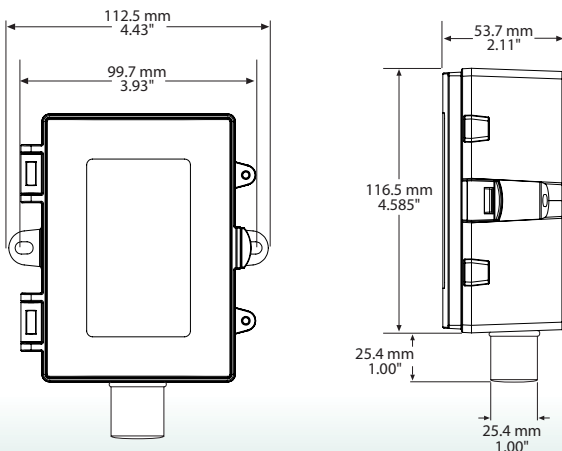
### TYPICAL INSTALLATION:

**For complete installation and wiring details, please refer to the product installation instructions.**

The heavy duty room temperature transmitter should be mounted on an interior wall, out of exposure to direct sunlight.

The heavy duty room temperature sensor can be mounted directly on the interior using the provided mounting holes. There is one 0.85" hole for conduit connection.

### DIMENSIONS:



### PART NUMBER SELECTED

### PRODUCT SELECTION INFORMATION:

MODEL	Product Description
TDHR	Heavy Duty Temperature Transmitter with LCD Display
CODE	Enclosure
B	Polycarbonate, with hinged & gasketed cover
CODE	Display Units
C	Celsius
F	Fahrenheit
CODE	Display Units
12X	1000 Ω, Platinum, 2 Wire, IEC 751, 385 thin film, Class B
CODE	Output
A	4-20 mA 2 or 3 wire
D	0-5 Vdc 3 wire
E	0-10 Vdc 3 wire
CODE	Scaled Range
001	0 to 35°C (32 to 95°F)
002	0 to 50°C (32 to 122°F)

Greystone Energy Systems, Inc. reserves the right to make design modifications without prior notice.

Greystone Energy Systems, Inc.  
 150 English Drive, Moncton, NB  
 Canada E1E 4G7

(506)853-3057 Fax: (506)853-6014  
 North America: 1-800-561-5611  
 e-mail: mail@greystoneenergy.com  
 www.greystoneenergy.com

RoHS COMPLIANT

