



# GREYSTONE ENERGY SYSTEMS INC

## SPLIT-CORE CURRENT SWITCH SC-610-200

The SC Series current switch monitors line current for electrical loads such as pumps, conveyors, lighting, heaters or fans and closes the output contacts when the trip point is exceeded. The SC-610-200 has a trip point that is adjustable between 2 to 200 Amps by rotating the adjustment pot. A LED illuminates when trip point setting is reached.

The sensor requires no external power as it is totally powered by induction from the AC line being monitored. The switch output is normally open and when the input current exceeds the trip setpoint the switch closes to provide an on/off digital signal to the controller.

The SC-610-200 can be opened to install on an existing wire which eliminates the need to disconnect.

### SPECIFICATION:

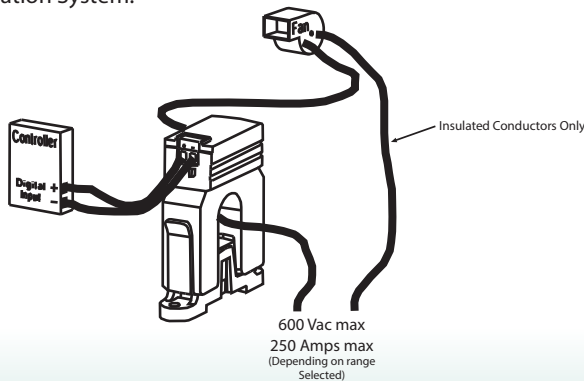
Current Setpoint .....	Adjustable - 2 to 200 Amps
Maximum Input Current .....	200 Amps continuous
Sensor Power .....	Self-powered
Output Type .....	Solid-state mosfet
Output Switch Action .....	Normally open
Indication .....	Illuminated power and status LED
Output Switch Ratings .....	30 Vac/dc, 500 mA Max.
Von @ 24 Vdc at 500mA .....	< 50 mV
Frequency .....	50/60 Hz
Response Time .....	200 mS Typical
Insulation Class .....	600 Vac, Insulated conductors
Operating Temperature .....	-15 to 50 °C (5 to 122 °F)
Operating Humidity .....	5 to 90% RH non-condensing
Wiring Connections .....	Screw terminal block (14 to 22 AWG)
Dimensions .....	76 x 79 x 24.9 mm (3 x 3.1 x 0.98 in)
Sensor Aperture .....	20.3 mm (0.8 in)
Enclosure Material .....	ABS/PC, UL94 V-0
Agency Approvals .....	cULus Listed

### TYPICAL INSTALLATION:

**For complete installation and wiring details, please refer to the product installation instructions.**

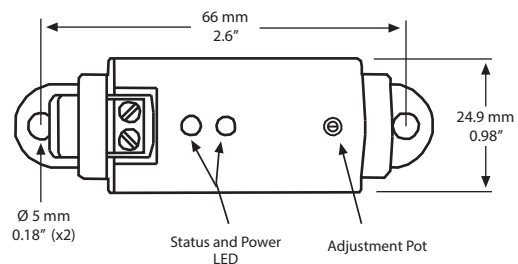
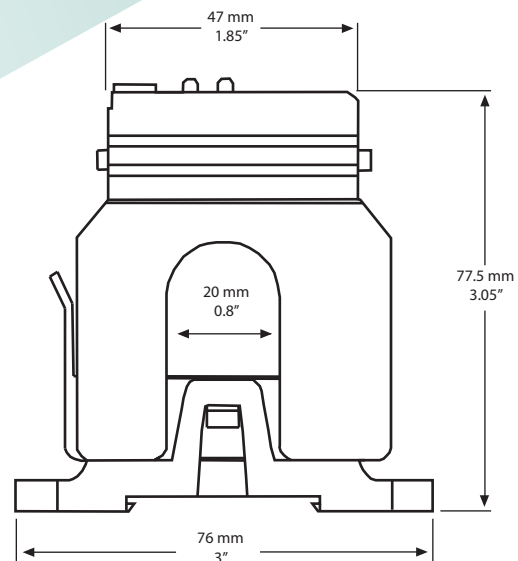
The SC-610-200 provides mounting tabs to secure the device inside a motor control panel using (2) # screws.

The sensor has a 2 wire connection to the Building Automation System.



### PRODUCT ORDERING INFORMATION:

**SC-610-200 Split-core Current Switch, Adjustable**



Greystone Energy Systems, Inc. (506) 853-3057 Fax: (506) 853-6014  
 150 English Drive, Moncton, NB North America: 1-800-561-5611  
 Canada E1E 4G7 e-mail: mail@greystoneenergy.com  
 www.greystoneenergy.com

