

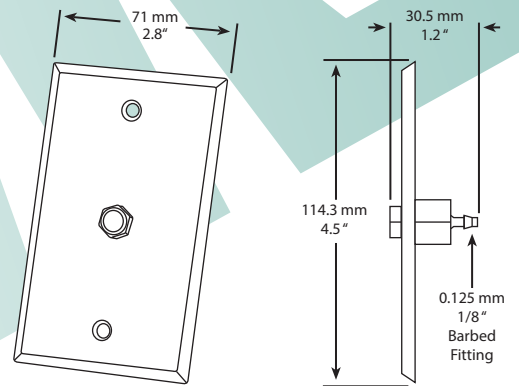


The RPV/CPV are wall mount pressure ports used in conjunction with a low pressure transmitter to measure room pressure. The RPV is also suitable for ceiling mount. Both are sized to mount directly to a 2" x 4" electrical box or they can be mounted directly to the wall. The OPV is an outdoor mountable pressure port and used in conjunction with a low pressure transmitter to measure building pressure. The OPV has an integrated wind shield which significantly reduces pressure fluctuations caused by wind gusts. Barbed fittings are provided for connection to the low pressure with pneumatic tubing.



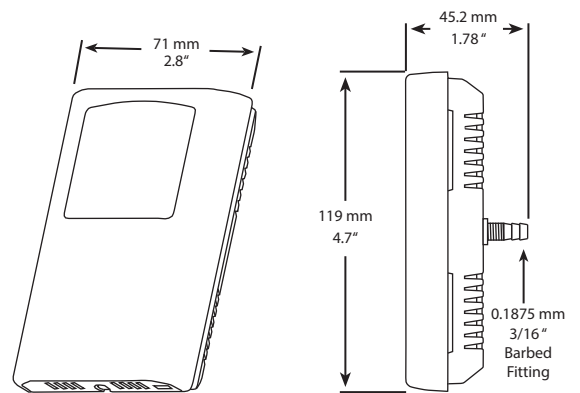
RPV Stainless Steel Pick-up Port

The RPV is a stainless steel wall plate that incorporates a filtered port with a 1/8" barb connection for pneumatic tubing. It can be mounted on a standard junction box or directly to a wall or ceiling and used in conjunction with a low pressure transmitter to monitor room pressure.



CPV Continental ABS Pick-up Port

The CPV is a low profile, decorative ABS enclosure that incorporates a port with a 3/16" barb fitting for connection of 0.17" ID pneumatic tubing. It can be mounted on a standard junction box or directly to a wall and used in conjunction with a low pressure transmitter to monitor room pressure.



OPV Outside Pick-up Port

The OPV is a weatherproof ABS enclosure with wind shield that incorporates a port with a 3/16" barb fitting for connection of 0.17" ID pneumatic tubing. It can be mounted on the side of a building and used in conjunction with a low pressure transmitter to monitor building pressure.

