



GREYSTONE ENERGY SYSTEMS INC

HIGH ACCURACY ROOM TEMPERATURE TRANSMITTER w/ LCD HATXRCL Series

The HATXRCL series room temperature transmitter with LCD display is an attractive, low profile enclosure that incorporates a high accuracy temperature sensor and a transmitter that provides a high accuracy signal with excellent long term stability, low hysteresis and fast response for measurement of room temperatures. Additional options are available Manual override, Communications jack & Fan speed control.



SPECIFICATIONS:

Power Supply 24Vac/dc $\pm 10\%$ (non-isolated half-wave rectified)
 Consumption 20 mA + (20ma x number of outputs) max @ 24 Vdc
 Input Voltage Effect Negligible over specified operating range
 Protection Circuitry..... Reverse voltage and MOV protected and output limited
 Output Signals..... 4-20 mA active (sourcing) or 0-5 Vdc or 0-10 Vdc (specify when ordering)
 Output Resolution 10 bit for all signals
 Output Drive Capability..... 550 ohm max for current 10Kohm min for voltage
 Programming and Selection.. Via push buttons and on-screen menu
 Operating Conditions 0°-50°C (32°-122°F) 0-95%RH non-condensing
 Wiring Connections..... Screw terminal block (14 to 22 AWG)
 Enclosure ABS - IP30 (NEMA 1)
 Enclosure Size 84mmW x 117mmH x 29mmD (3.3" x 4.6" x 1.15")

LCD DISPLAY

Display Size..... 38.1 x 16.5 mm (1.5" x 0.65")
 Digit Height..... 11.43 mm (0.45")
 Symbols °C, °F, OCC
 Backlight..... Enable or disable via menu

TEMPERATURE

Sensor..... 10K Thermistor, Type 3
 Sensor Accuracy..... $\pm 0.1^\circ\text{C}$ ($\pm 0.18^\circ\text{F}$)
 Range..... 0° to 35°C (32° to 95°F) or 0° to 50°C (32° to 122°F) programmable
 Offset $\pm 9^\circ\text{F}$ programmable
 Display Units °C or °F programmable
 Display Resolution $0.5^\circ < 100^\circ$, $1^\circ > 100^\circ$

OPTIONAL OVERRIDE

Front panel, momentary push-button, 2 wire dry contact
 Switch ratings..... N.O., SPST, 50 mA @12 Vdc

OCCUPIED INPUT

Signal Type..... Digital input, 0/5 Vdc or dry contact to common
 Logic..... Active low or active high, programmable
 Action Causes "OCC" segment to light on LCD

OPTIONAL FAN SPEED SWITCH

Range..... Off, Auto, Low, Medium, High
 Signal Resistance: 0, 2, 4, 6, 8 K Ω (Custom ranges available)

OPTIONAL NETWORK COMMUNICATIONS

3.5mm phono jack Ring/Mid/Tip connections to a 3-pin terminal block

PART NUMBER SELECTED

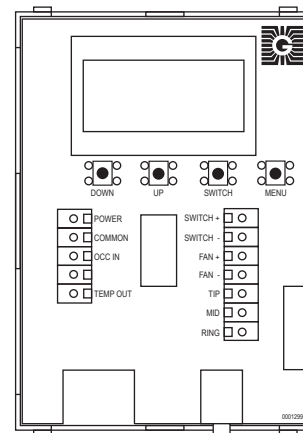
PRODUCT SELECTION INFORMATION:

MODEL	Product Description
HATXRCL	High Accuracy Room Temperature Transmitter w/ LCD Display

CODE	Output
A	4-20 mA
D	0-5 Vdc
E	0-10 Vdc

CODE	Options
S	Exposed push button switch (NO)
J	Comm. Jack (3.5 mm Phono)
F	Fan speed switch

Greystone Energy Systems, Inc. reserves the right to make design modifications without prior notice.

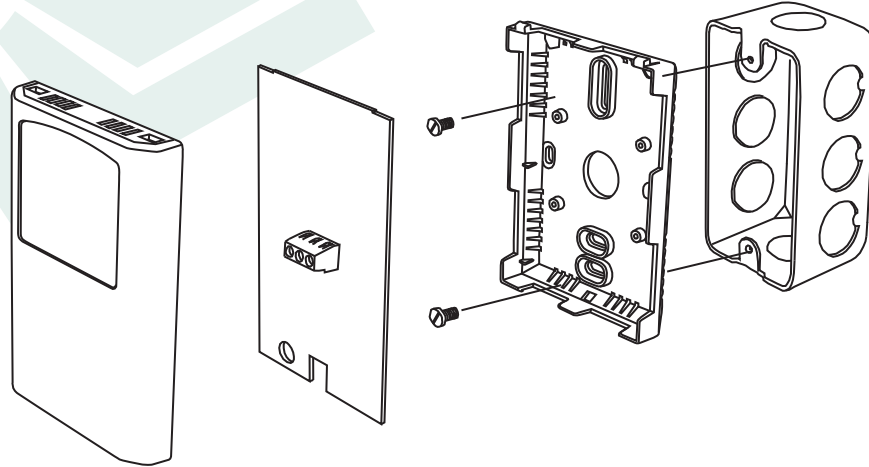


TYPICAL INSTALLATION:

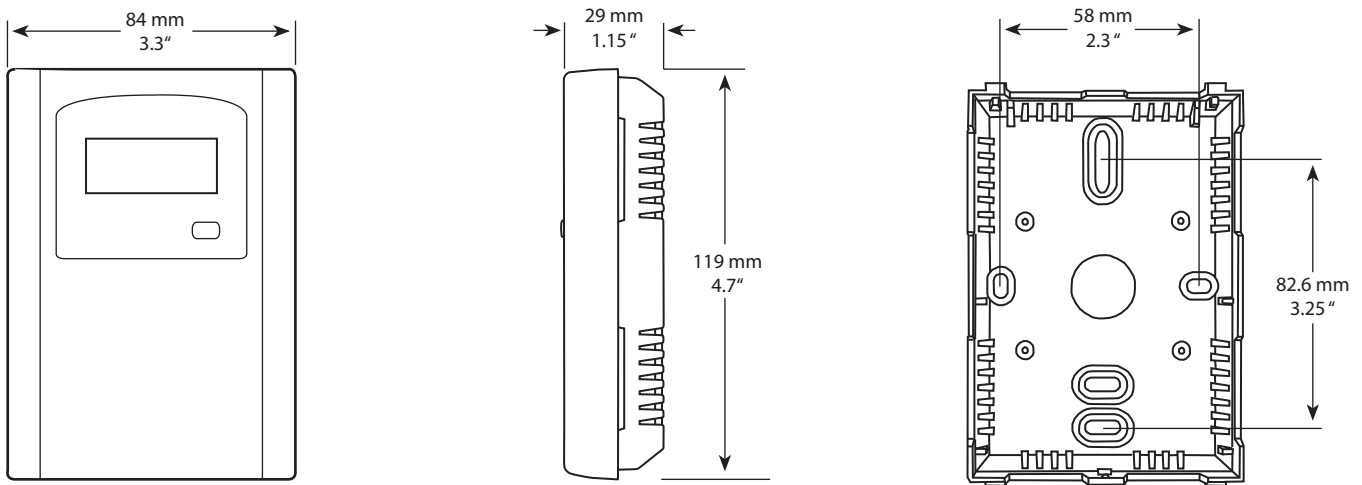
For complete installation and wiring details, please refer to the product installation instructions.

The HATXRCL series can be mounted directly to a single gang electrical box or directly to a wall. Insulating foam is adhered to the back of the enclosure to provide a thermal barrier from internal wall temperatures.

A terminal block connection is provided for connection to the Building Automation System.



DIMENSIONS:



Greystone Energy Systems, Inc. reserves the right to make design modifications without prior notice.



GREYSTONE
ENERGY SYSTEMS INC

Greystone Energy Systems, Inc.
150 English Drive, Moncton,
New Brunswick, Canada E1E 4G7
(506) 853-3057 Fax: (506) 853-6014
North America: 1-800-561-5611
e-mail: mail@greystoneenergy.com
www.greystoneenergy.com

RoHS
COMPLIANT



Greystone Energy Systems Inc. is one of North America's largest ISO registered manufacturers of HVAC sensors and transmitters for Building Automation Management Systems.

We have conscientiously established a worldwide reputation as an industry leader by maintaining leading-edge design technology, prompt technical support, and a commitment to on-time deliveries. We take pride in our Quality Management System which is ISO 9001 certified, assuring our customers of consistent product reliability.

GREYSTONE HAS AN **ISO 9001** REGISTERED QUALITY SYSTEM