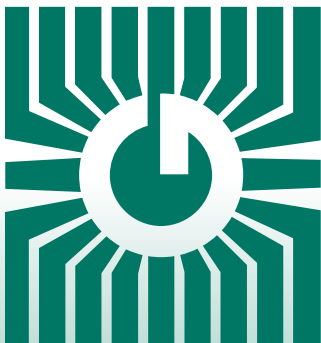


GREYSTONE

ENERGY SYSTEMS INC



HIGH ACCURACY ROOM TEMPERATURE TRANSMITTER c/w LCD HATXRCL Series



Precision temperature control/sensing

FEATURES:

- High accuracy sensing element
- Current and voltage models
- 2 field selectable ranges
- LCD indication
- Optional Override button, Communications jack and Fan speed switch
- Attractive, low profile enclosure

*Peace of mind
through reliable
temperature monitoring*

GREYSTONE HAS AN ISO 9001 REGISTERED QUALITY SYSTEM

DESCRIPTION:

The HATXRCL series room temperature transmitter with LCD display is an attractive, low profile enclosure that incorporates a high accuracy temperature sensor and a transmitter that provides a high accuracy signal with excellent long term stability, low hysteresis and fast response for measurement of room temperatures.

Additional options are available Manual override, Communications jack & Fan speed control.

SPECIFICATIONS:

General

Sensor.....	10K Thermistor, Type 3
Accuracy.....	$\pm 0.1^{\circ}\text{C}$ ($\pm 0.18^{\circ}\text{F}$)
Range.....	0° to 35°C (32° to 95°F) or 0° to 50°C (32° to 122°F) programmable
Offset.....	$\pm 9^{\circ}\text{F}$ programmable
Display Units.....	$^{\circ}\text{C}$ or $^{\circ}\text{F}$ programmable
Display Resolution.....	0.5° < 100° , 1° > 100°
Power Supply.....	24Vac/dc $\pm 10\%$ (non-isolated half-wave rectified)
Consumption.....	20 mA max @ 24 Vdc
Input Voltage Effect.....	Negligible over specified operating range
Protection Circuitry.....	Reverse voltage and MOV protected and output limited
Output Signals.....	4-20 mA active (sourcing) or 0-5 Vdc or 0-10 Vdc (specify when ordering)
Output Resolution.....	10 bit for all signals
Output Drive Capability.....	550 ohm max for current, 10Kohm min for voltage
Programming and Selection.....	Via push buttons and on-screen menu
Operating Conditions.....	0° - 50°C (32° - 122°F) 0-95% RH non-condensing
Wiring Connections.....	Screw terminal block (14 to 22 AWG)
Enclosure.....	White ABS - IP30 (NEMA 1) 84mmW x 117mmH x 29mmD (3.3" x 4.6" x 1.15")

LCD Display

Display Size.....	38.1 x 16.5 mm (1.5" x 0.65")
Digit Height.....	11.43 mm (0.45")
Symbols.....	$^{\circ}\text{C}$, $^{\circ}\text{F}$, OCC
Backlight.....	Enable or disable via menu

Manual Override

Type.....	Front panel, momentary pushbutton
Ratings.....	50 mA @12 Vdc, N.O., SPST

Occupied Input

Signal Type.....	Digital input, 0/5 Vdc standard, active low
Action.....	Causes "OCC" segment to light on LCD

Fan Speed Switch

Type.....	Side mounted, 5 position slide switch
Designators.....	Off, Auto, Low, Medium, High
Signal.....	2 wire, resistance output - 0, 2, 4, 6, 8 K Ω Custom ranges available, contact Greystone

Communications

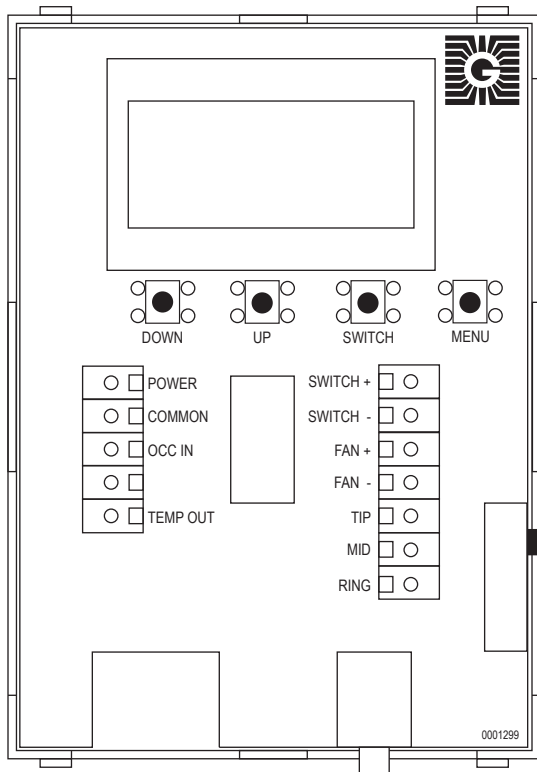
3.5mm phono jack.....	Ring/Mid/Tip connections to a 3-pin terminal block
-----------------------	--

PRODUCT ORDERING INFORMATION:

MODEL	Product Description	
HATXRCL	High Accuracy Room Temperature Transmitter w/LCD	
CODE	Output	
A	4-20 mA	
D	0-5 Vdc	
E	0-10 Vdc	
CODE	Options (Multiple selections can be made)	
S	Front panel push button momentary switch (NO)	
J	External jack for remote system access (3.5 mm phono)	
F	Fan Speed Switch, 5 position, (Off, Auto, Low, Mid, High)	
HATXRCL	A	-

Greystone Energy Systems, Inc. reserves the right to make design modifications without prior notice.

PCB/WIRING INFORMATION



Terminal

POWER
COMMON
OCC IN
TEMP Output

SWITCH +
SWITCH -
FAN +

FAN -
TIP
MID
RING

Function

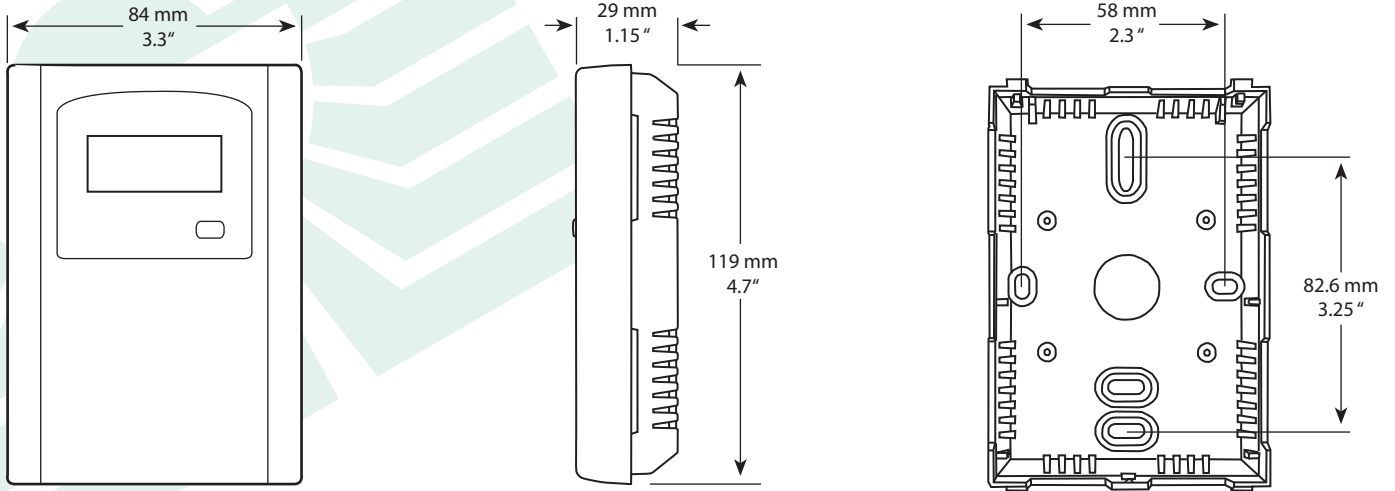
From +24 Vac/dc of controller or power supply
To GND or COMMON of controller
To digital output of controller
To analog input of controller
4-20 mA or 0-5 Vdc or 0-10 Vdc
To digital input of controller
To GND or COMMON of controller
To analog input of controller
Resistance input
To GND or COMMON of controller
External Jack TIP (tip of plug) connection
External Jack MID (middle of plug) connection
External Jack RING (base of plug) connection

* Some models do not have all these features

**To save on number of connection wires, all GND or COMMON may be connected together.

***Illustration shows standard wiring configuration. Custom configurations are available. Please contact Greystone.

DIMENSIONS:



Greystone Energy Systems, Inc. reserves the right to make design modifications without prior notice.



GREYSTONE

ENERGY SYSTEMS INC

Greystone Energy Systems, Inc.
 150 English Drive, Moncton,
 New Brunswick, Canada E1E 4G7
 (506) 853-3057 Fax: (506) 853-6014
 North America: 1-800-561-5611
 e-mail: mail@greystoneenergy.com
 www.greystoneenergy.com

RoHS
COMPLIANT



Greystone Energy Systems Inc. is one of North America's largest ISO registered manufacturers of HVAC/R sensors and transmitters for Building Automation Management Systems.

We have conscientiously established a worldwide reputation as an industry leader by maintaining leading-edge design technology, prompt technical support, and a commitment to on-time deliveries. We take pride in our Quality Management System which is ISO 9001 certified, assuring our customers of consistent product reliability.

GREYSTONE HAS AN **ISO 9001** REGISTERED QUALITY SYSTEM