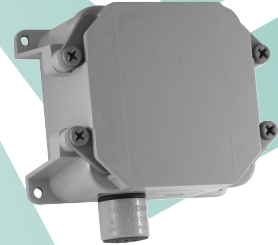




## HIGH ACCURACY OUTSIDE TEMPERATURE TRANSMITTER HATXOS Series

The HATXOS, single point outside air temperature transmitter utilizes a high accuracy platinum RTD sensor and a transmitter that provides a high accuracy signal with excellent long term stability, low hysteresis and fast response to a temperature change. It is available with various ranges. (See ordering chart) . All probes are constructed to provide excellent heat transfer, fast response and are potted to resist moisture penetration. A sun and wind shield is integrated into the enclosure.



### SPECIFICATION:

Sensor..... 1000 ohm Platinum RTD  
 Accuracy ..... **RTD Class A:**  $\pm 0.15^\circ\text{C}$  @  $0^\circ\text{C}$   
   **RTD 1/3 DIN:**  $\pm 0.1^\circ\text{C}$  @  $0^\circ\text{C}$   
   **RTD 1/10 DIN:**  $\pm 0.03^\circ\text{C}$  @  $0^\circ\text{C}$   
 Probe Sensing Range..... -40 to  $85^\circ\text{C}$  (-40 to  $185^\circ\text{F}$ )  
 Wire Material ..... 2 Wire: PVC insulated, parallel bonded  
   3 Wire: FT4  
 Output Signal..... 4-20mA current loop, 0-5 Vdc, or 0-10 Vdc (factory configured)  
 Transmitter Accuracy .....  $\pm 0.125\%$  of span, including linearity  
 4-20 mA loop power Supply .... 15-35 Vdc or 22-32 Vac  
 Minimum Current Loop ..... 2 mA nominal (occurs with shorted sensor)  
 Maximum loop Current..... 22.5 mA nominal (occurs with open sensor)  
 Maximum Loop Load..... >600 ohms  
 0-5 Vdc Power Supply ..... 10-35 Vdc or 10-32 Vac  
 0-10 Vdc Power Supply..... 15-35 Vdc or 15-32 Vac  
 Maximum Current (Voltage)..... 5 mA nominal  
 Maximum Output (Voltage)..... limited to <5.5 Vdc for 0-5 Vdc, <10.5 for 0-10 Vdc  
 Input Voltage Effect ..... Negligible over specified operating range  
 RFI rejection..... Good RFI rejection of normal frequencies  
 Protection Circuitry..... Reverse voltage protected and output limited  
 Ambient Operating Range..... -40 -  $85^\circ\text{C}$  (-40 -  $185^\circ\text{F}$ ), 0-95% RH non-condensing  
 Enclosure ..... (E) - ABS, UL94-5VB, IP65 (NEMA 4X)  
   (P) - PVC, IP65 (NEMA 4X)  
 Wiring Connections..... Screw terminal block (14 to 22 AWG)

### PART NUMBER SELECTED

--

### PRODUCT SELECTION INFORMATION:

MODEL	Product Description
HATXOS	High Accuracy Outside Temperature Transmitter

CODE	Enclosure
E	ABS Weatherproof
P	PVC Weatherproof, Hinged Cover

CODE	Sensor
18	1000 $\Omega$ Platinum, 2 wire, IEC 751, 385 Alpha, thin film, Class A
48	1000 $\Omega$ Platinum, 2 wire, IEC 751, 385 Alpha, thin film, 1/3 DIN
22	1000 $\Omega$ Platinum, 2 wire IEC 751, 385 Alpha, thin film, 1/10 DIN
41	1000 $\Omega$ Platinum, 3 wire, IEC 751, 385 Alpha, thin film, Class A
49	1000 $\Omega$ Platinum, 3 wire, IEC 751, 385 Alpha, thin film, 1/3 DIN
50	1000 $\Omega$ Platinum, 3 wire, IEC 751, 385 Alpha, thin film, 1/10 DIN

CODE	Output
A	4-20 mA
D	0-5 Vdc
E	0-10 Vdc

CODE	Scaled Range
1	0-35 $^\circ\text{C}$ (32 - 95 $^\circ\text{F}$ )
2	0-50 $^\circ\text{C}$ (32 - 122 $^\circ\text{F}$ )
3	0-100 $^\circ\text{C}$ (32 - 212 $^\circ\text{F}$ )
6	-50 - 50 $^\circ\text{C}$ (-58 - 122 $^\circ\text{F}$ )

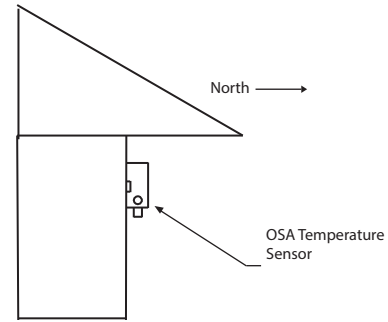
--

## TYPICAL INSTALLATION:

For complete installation and wiring details, please refer to the product installation instructions.

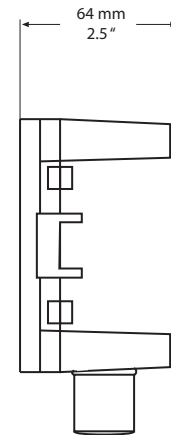
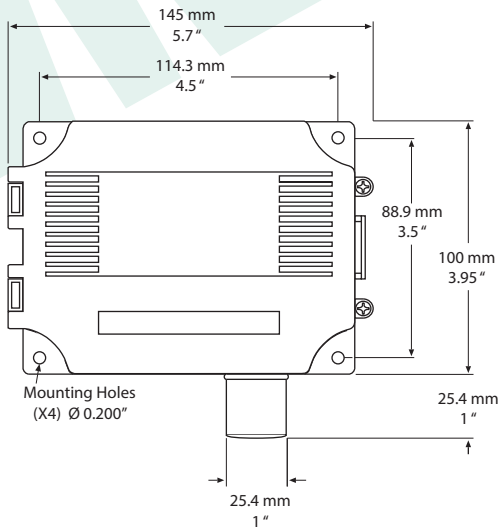
The HATXOS should be mounted on an outside North facing wall, under the eaves which will provide protection from direct sunlight.

The HATXOS can be mounted directly to buildings wall face using the provided mounting holes. There is one 0.85" holes for conduit or cable gland connection.

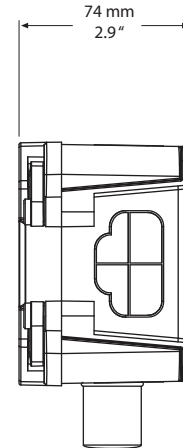
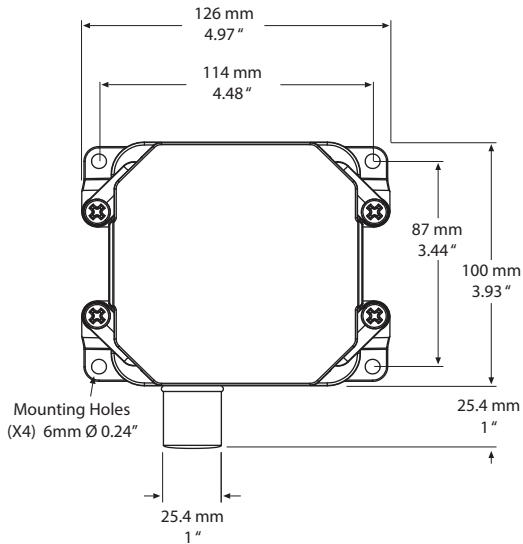


## DIMENSIONS:

ABS Enclosure (E)



PVC Enclosure (P)



Greystone Energy Systems, Inc. reserves the right to make design modifications without prior notice.



**GREYSTONE**  
ENERGY SYSTEMS INC

Greystone Energy Systems, Inc.  
150 English Drive, Moncton,  
New Brunswick, Canada E1E 4G7  
(506) 853-3057 Fax: (506) 853-6014  
North America: 1-800-561-5611  
e-mail: mail@greystoneenergy.com  
www.greystoneenergy.com

**RoHS**  
COMPLIANT



*Greystone Energy Systems Inc. is one of North America's largest ISO registered manufacturers of HVAC/R sensors and transmitters for Building Automation Management Systems.*

*We have conscientiously established a worldwide reputation as an industry leader by maintaining leading-edge design technology, prompt technical support, and a commitment to on-time deliveries. We take pride in our Quality Management System which is ISO 9001 certified, assuring our customers of consistent product reliability.*

GREYSTONE HAS AN **ISO 9001** REGISTERED QUALITY SYSTEM