



HIGH ACCURACY GLASS TEMPERATURE TRANSMITTER HATXGL Series

The HATXGL single point glass temperature sensor utilizes a high accuracy sensor encapsulated in a 31.75mm L x 9.525mm W x 9.525 mm H (1.25" x .375" x .375") Aluminum probe. Standard wire length is 600 mm (24"). All probes are constructed to provide excellent heat transfer, fast response and are potted to resist moisture penetration. It is available with a variety of enclosures. A transmitter that provides a high accuracy signal with excellent long term stability, low hysteresis and fast response is available with various ranges.



SPECIFICATION:

Sensor	1000 ohm Platinum RTD
Accuracy	RTD Class A: $\pm 0.15^{\circ}\text{C}$ @ 0°C RTD 1/3 DIN: $\pm 0.1^{\circ}\text{C}$ @ 0°C RTD 1/10 DIN: $\pm 0.03^{\circ}\text{C}$ @ 0°C
Probe Sensing Range.....	-20 to 105°C (-4 to 221°F)
Wire Material	PVC insulated, parallel bonded
Probe Material	Aluminum
Probe Dimension.....	31.75 x 9.525 x 9.525 mm 1.25" x .375" x .375"
Output Signal.....	4-20mA current loop, 0-5 Vdc, or 0-10 Vdc (factory configured)
Transmitter Accuracy	$\pm 0.1\%$ of span, including linearity
4-20 mA loop power Supply	15-35 Vdc or 22-32 Vac
Minimum Current Loop	2 mA nominal (occurs with shorted sensor)
Maximum loop Current.....	22.5 mA nominal (occurs with open sensor)
Maximum Loop Load.....	>600 ohms
0-5 Vdc Power Supply	10-35 Vdc or 10-32 Vac
0-10 Vdc Power Supply.....	15-35 Vdc or 15-32 Vac
Maximum Current (Voltage).....	5 mA nominal
Maximum Output (Voltage)	limited to <5.5 Vdc for 0-5 Vdc, <10.5 for 0-10 Vdc
Input Voltage Effect	Negligible over specified operating range
RFI rejection.....	Good RFI rejection of normal frequencies
Protection Circuitry.....	Reverse voltage protected and output limited
Ambient Operating Range.....	-40 - 85°C (-40 - 185°F), 0-95% RH non-condensing
Enclosure	(A) ABS, UL94-5VB, IP61 (NEMA 2) (B)-ABS, UL94-5VB, IP65 (NEMA 4X) (C)- PVC, IP65 (NEMA 4X)
Wiring Connections.....	Screw terminal block (14 to 22 AWG)

PART NUMBER SELECTED

PRODUCT SELECTION INFORMATION:

MODEL	Product Description
HATXGL	High Accuracy Glass Temperature Transmitter

CODE	Enclosure
A	ABS Enclosure
B	Round ABS, with gasket cover
C	PVC Weatherproof

CODE	Sensor
18	1000 Ω Platinum, 2 wire, IEC 751, 385 Alpha, thin film, Class A
48	1000 Ω Platinum, 2 wire, IEC 751, 385 Alpha, thin film, 1/3 DIN
22	1000 Ω Platinum, 2 wire IEC 751, 385 Alpha, thin film, 1/10 DIN
41	1000 Ω Platinum, 3 wire, IEC 751, 385 Alpha, thin film, Class A
49	1000 Ω Platinum, 3 wire, IEC 751, 385 Alpha, thin film, 1/3 DIN
50	1000 Ω Platinum, 3 wire, IEC 751, 385 Alpha, thin film, 1/10 DIN

CODE	Output
A	4-20 mA
D	0-5 Vdc
E	0-10 Vdc

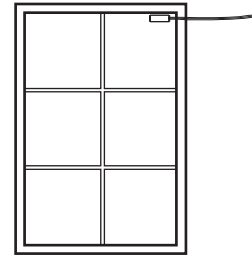
CODE	Output
1	0-35 $^{\circ}\text{C}$ (32-95 $^{\circ}\text{F}$)
2	0-50 $^{\circ}\text{C}$ (32-122 $^{\circ}\text{F}$)
3	0-100 $^{\circ}\text{C}$ (32-212 $^{\circ}\text{F}$)
*	Custom Ranges Available

*CUSTOM SCALED TEMPERATURE RANGE

TYPICAL INSTALLATION:

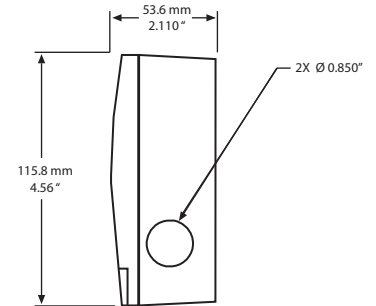
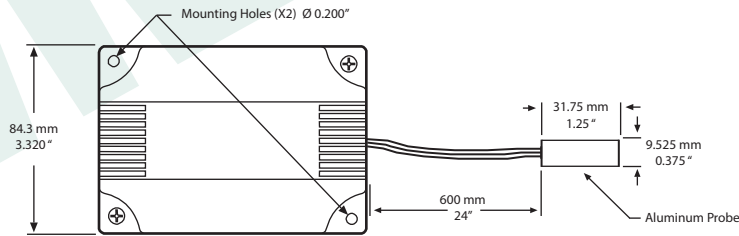
For complete installation and wiring details, please refer to the product installation instructions.

Find a suitable location on an exterior window where both the probe can be mounted. On one side apply epoxy compound and press firmly against the glass. Hold in place until the epoxy has set.

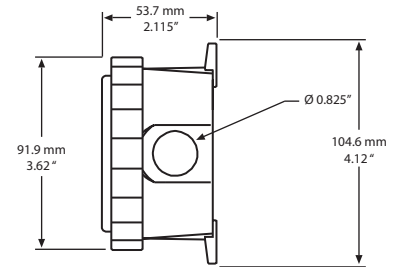
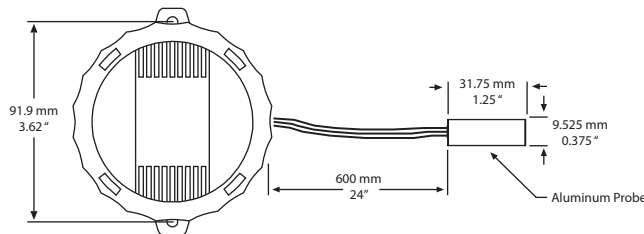


DIMENSIONS:

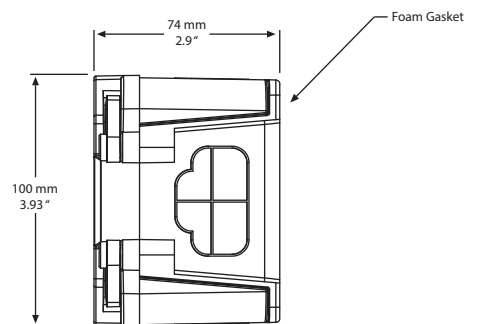
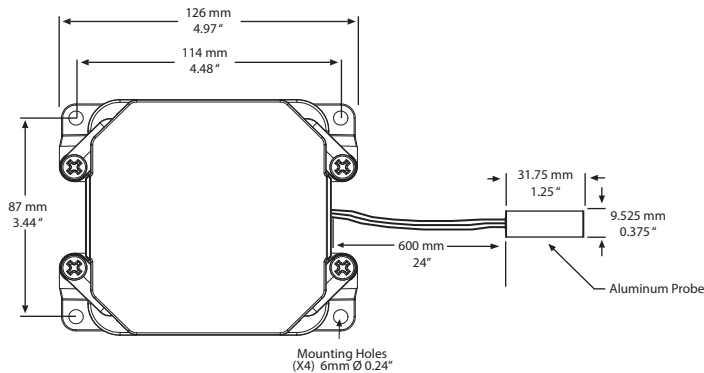
ABS Enclosure (A)



Round ABS Enclosure (B)



PVC Enclosure (C)



Greystone Energy Systems, Inc. reserves the right to make design modifications without prior notice.



GREYSTONE
ENERGY SYSTEMS INC

Greystone Energy Systems, Inc.
150 English Drive, Moncton,
New Brunswick, Canada E1E 4G7
(506) 853-3057 Fax: (506) 853-6014
North America: 1-800-561-5611
e-mail: mail@greystoneenergy.com
www.greystoneenergy.com

RoHS
COMPLIANT



Greystone Energy Systems Inc. is one of North America's largest ISO registered manufacturers of HVAC/R sensors and transmitters for Building Automation Management Systems.

We have conscientiously established a worldwide reputation as an industry leader by maintaining leading-edge design technology, prompt technical support, and a commitment to on-time deliveries. We take pride in our Quality Management System which is ISO 9001 certified, assuring our customers of consistent product reliability.

GREYSTONE HAS AN **ISO 9001** REGISTERED QUALITY SYSTEM