



GREYSTONE

ENERGY SYSTEMS INC

HIGH ACCURACY RIGID DUCT AVERAGE TEMPERATURE TRANSMITTER HATXDR Series

The high accuracy multi point rigid duct average temperature transmitter incorporates numerous precision platinum RTD's at equal distances encapsulated in a 6.00 mm (0.236") OD, 304 series stainless steel probe and is available in various lengths. All probes provide excellent heat transfer, fast response and resist moisture penetration. A transmitter that provides a high accuracy signal with excellent long term stability, low hysteresis and fast response is available with various ranges.

SPECIFICATION:

Sensor Type.....	1000 ohm Platinum RTD
Sensor Accuracy.....	RTD Class A: ±0.15°C @ 0°C RTD 1/3 DIN: ±0.1°C @ 0°C RTD 1/10 DIN: ±0.03°C @ 0°C
Probe Sensing Range	-20 to 60°C (-4 to 140°F)
Wire Material.....	PVC insulated, parallel bonded, 22AWG
Probe Material.....	304 Series Stainless Steel
Probe Diameter	6 mm (0.236")
Standard Lengths.....	300, 450, 600, 900 mm (12', 18', 24', 36")
Output Signal.....	4-20mA current loop, 0-5 Vdc, or 0-10 Vdc (factory configured)
Transmitter Accuracy.....	±0.125% of span, including linearity
4-20 mA loop power supply.....	15-35 Vdc or 22-32 Vac
Minimum Loop Current.....	2 mA nominal (occurs with shorted sensor)
Maximum Loop Current.....	22.5 mA nominal (occurs with open sensor)
Maximum Loop Load	>600 ohms
0-5 Vdc Power Supply.....	10-35 Vdc or 10-32 Vac
0-10 Vdc Power Supply	15-35 Vdc or 15-32 Vac
Maximum Current (Voltage).....	5 mA nominal
Maximum Output (Voltage).....	limited to <5.5 Vdc for 0-5 Vdc, <10.5 for 0-10 Vdc
Input Voltage Effect.....	Negligible over specified operating range
Protection Circuitry.....	Reverse voltage protected and output limited
Ambient Operating Range.....	0 to 50°C (32 to 122°F), 0 to 95% RH non-condensing
Enclosure.....	ABS - UL94-V0, IP65 (NEMA4X) E - includes thread adapter (1/2" NPT to M16), and cable gland fitting
Wiring Connections.....	Screw terminal block (14 to 22 AWG)
Country of Origin.....	Canada

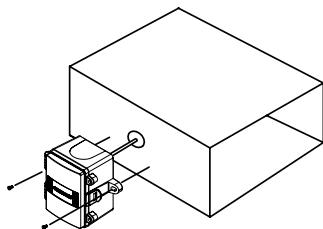
*This product is factory calibrated and any field adjustment will void the warranty.

TYPICAL INSTALLATION:

For complete installation and wiring details, please refer to the product installation instructions.

The duct type probes are installed through a hole in the side of the duct to monitor a single point temperature within the duct. Since the probes are tip sensitive, select a probe length that places the sensor well into the duct. Install the probe in a straight section of duct at a suitable distance downstream from any heating, cooling or humidification devices.

The enclosure provides mounting tabs for ease of installation.



PART NUMBER SELECTED

PRODUCT SELECTION INFORMATION:

MODEL	Product Description
HATXDR	High Accuracy Rigid Duct Average Temperature Transmitter

CODE	Enclosure
A	ABS, with hinged & gasketed cover
E	Same as A, with thread adapter & cable gland fitting

CODE	Sensor
18	1000 Ω, Platinum, 2 wire, IEC 751, 385 Alpha, thin film Class A
48	1000 Ω, Platinum, 2 wire, IEC 751, 385 Alpha, thin film 1/3 DIN
22	1000 Ω, Platinum, 2 wire IEC 751, 385 Alpha, thin film, 1/10 DIN

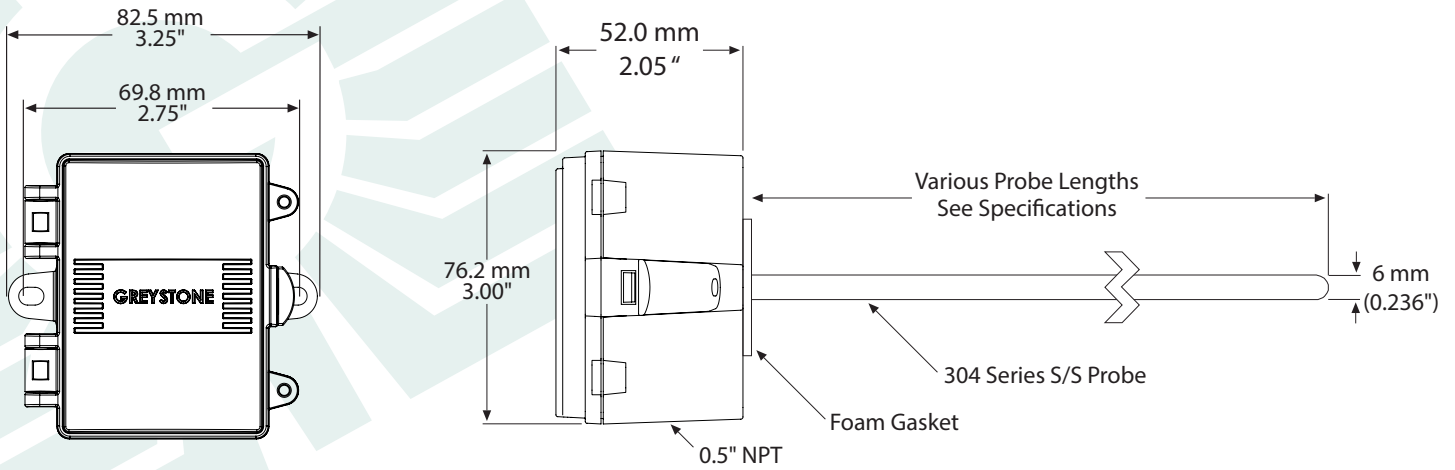
CODE	Probe Length
E	300 mm (12")
F	450 mm (18")
G	600 mm (24")
H	900 mm (36")

CODE	Output
A	4-20 mA
D	0-5 Vdc
E	0-10 Vdc

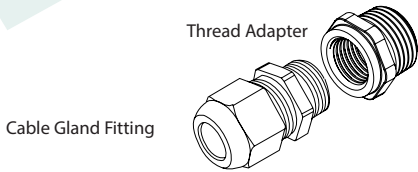
CODE	Scaled Range
001	0 to 35°C (32 to 95°F)
002	0 to 50°C (32 to 122°F)
006	-50 to 50°C (-58 to 122°F)
*	Custom Ranges Available

Greystone Energy Systems, Inc. reserves the right to make design modifications without prior notice.

DIMENSIONS:



Included with E style enclosure



GREYSTONE

ENERGY SYSTEMS INC

Greystone Energy Systems, Inc.
150 English Drive, Moncton,
New Brunswick, Canada E1E 4G7

(506) 853-3057 Fax: (506) 853-6014
North America: 1-800-561-5611
e-mail: mail@greystoneenergy.com
www.greystoneenergy.com

RoHS
COMPLIANT



Greystone Energy Systems Inc. is one of North America's largest ISO registered manufacturers of HVAC/R sensors and transmitters for Building Automation Management Systems.

We have conscientiously established a worldwide reputation as an industry leader by maintaining leading-edge design technology, prompt technical support, and a commitment to on-time deliveries. We take pride in our Quality Management System which is ISO 9001 certified, assuring our customers of consistent product reliability.

GREYSTONE HAS AN **ISO 9001** REGISTERED QUALITY SYSTEM