



HIGH ACCURACY FLEX DUCT AVERAGE TEMPERATURE TRANSMITTER HATXDF Series

The HATXDF is a flexible, multi-point duct averaging mounted temperature transmitter and is available with a selection of high accuracy platinum RTD sensors and a transmitter that provides a high accuracy signal with excellent long term stability, low hysteresis and fast response. They are available with various scaled ranges. The sensing cable is constructed to provide excellent heat transfer, fast response time and is available in several lengths and quantity of sensing elements.



PART NUMBER SELECTED

SPECIFICATION:

Sensor.....1000 ohm Platinum RTD
 Accuracy.....**RTD Class A:** ±0.15°C @ 0°C
RTD 1/3 DIN: ±0.1°C @ 0°C
RTD 1/10 DIN: ±0.03°C @ 0°C
 probe Sensing Range.....-20 to 60°C (-4 to 140°F)
 Sensing CableFT-6 rated plenum cable
 Output Signal.....4-20mA current loop, 0-5 Vdc, or 0-10 Vdc (factory configured)
 Transmitter Accuracy±0.125% of span, including linearity
 4-20 mA loop power Supply15-35 Vdc or 22-32 Vac
 Minimum Current Loop2 mA nominal (occurs with shorted sensor)
 Maximum loop Current.....22.5 mA nominal (occurs with open sensor)
 Maximum Loop Load.....>600 ohms
 0-5 Vdc Power Supply10-35 Vdc or 10-32 Vac
 0-10 Vdc Power Supply.....15-35 Vdc or 15-32 Vac
 Maximum Current (Voltage).....5 mA nominal
 Maximum Output (Voltage).....limited to <5.5 Vdc for 0-5 Vdc, <10.5 for 0-10 Vdc
 Input Voltage Effect.....Negligible over specified operating range
 RFI rejection.....Good RFI rejection of normal frequencies
 Protection Circuitry.....Reverse voltage protected and output limited
 Ambient Operating Range.....-40 - 85°C (-40 - 185°F), 0-95% RH non-condensing
 Enclosure(E)-ABS, UL94-5VB, IP65 (NEMA 4X)
 (P)- PVC, IP65 (NEMA 4X)
 Wiring Connections.....Screw terminal block (14 to 22 AWG)

PRODUCT SELECTION INFORMATION:

MODEL	Product Description
HATXDF	High Accuracy Flex Duct Average Temperature Transmitter

CODE	Enclosure (ABS enclosure is standard)
E	Round ABS, with gasket cover
P	PVC Weatherproof

CODE	Sensor
18	1000 Ω Platinum, 2 wire, IEC 751, 385 Alpha, thin film, Class A
48	1000 Ω Platinum, 2 wire, IEC 751, 385 Alpha, thin film, 1/3 DIN
22	1000 Ω Platinum, 2 wire IEC 751, 385 Alpha, thin film, 1/10 DIN
41	1000 Ω Platinum, 3 wire, IEC 751, 385 Alpha, thin film, Class A
49	1000 Ω Platinum, 3 wire, IEC 751, 385 Alpha, thin film, 1/3 DIN
50	1000 Ω Platinum, 3 wire, IEC 751, 385 Alpha, thin film, 1/10 DIN

CODE	Cable Length/No. of Sensors	
I	1800 mm (6')	(4 Sensors)
J	3600 mm (12')	(4 Sensors)
K	6100 mm (20')	(4 Sensors)
L	7300 mm (24')	(9 Sensors)

CODE	Output
A	4-20mA
D	0-5 Vdc
E	0-10 Vdc

CODE	Scaled Range
1	0-35°C (32 - 95°F)
2	0-50°C (32 - 122°F)
*	Custom Range Contact Greystone

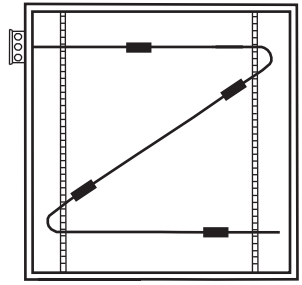
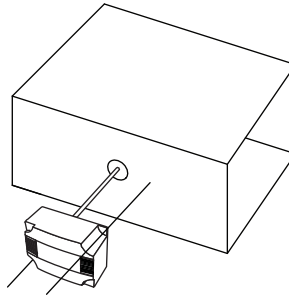
*CUSTOM SCALED TEMPERATURE RANGE

TYPICAL INSTALLATION:

For complete installation and wiring details, please refer to the product installation instructions.

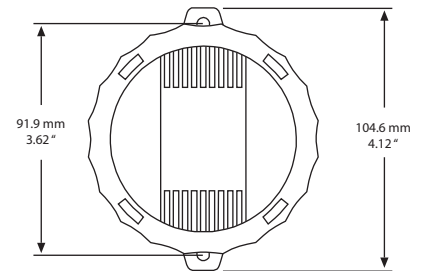
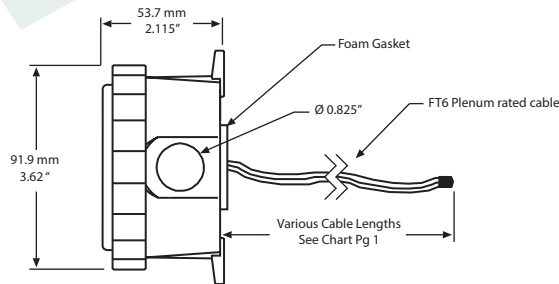
The Flex-duct average sensing cable is installed through a hole in the side of the duct to monitor an average temperature within the duct. Select a probe length that allows for criss-crossing the duct multiple times. Install the probes in a straight section of duct at a suitable distance downstream from any heating, cooling or humidification elements.

Each enclosure style provides mounting tabs on the outside for ease of installation.

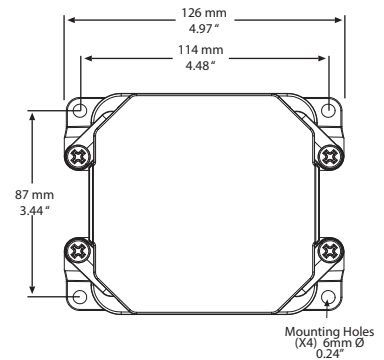
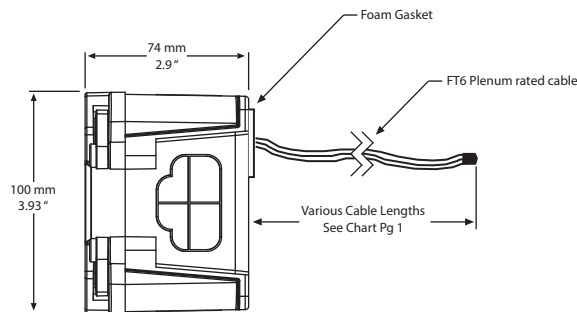


DIMENSIONS:

Round ABS Enclosure (E)



PVC Enclosure (P)



Greystone Energy Systems, Inc. reserves the right to make design modifications without prior notice.



GREYSTONE
ENERGY SYSTEMS INC

Greystone Energy Systems, Inc.
150 English Drive, Moncton,
New Brunswick, Canada E1E 4G7
(506) 853-3057 Fax: (506) 853-6014
North America: 1-800-561-5611
e-mail: mail@greystoneenergy.com
www.greystoneenergy.com

RoHS
COMPLIANT



Greystone Energy Systems Inc. is one of North America's largest ISO registered manufacturers of HVAC/R sensors and transmitters for Building Automation Management Systems.

We have conscientiously established a worldwide reputation as an industry leader by maintaining leading-edge product technology, prompt technical support, and a commitment to on-time deliveries. We take pride in our Quality Management System which is ISO 9001 certified, assuring our customers of consistent product reliability.

GREYSTONE HAS AN **ISO 9001** REGISTERED QUALITY SYSTEM