



GREYSTONE ENERGY SYSTEMS INC

HIGH ACCURACY ROOM TEMPERATURE SENSOR HATSRC Series

The HATSRC series is an attractive, low profile enclosure that incorporates a high accuracy temperature sensor used to monitor room temperatures. Additional options are available that include setpoint adjustment, manual override, fan speed and LCD



SPECIFICATION:

Sensor Type Platinum RTD 1000 Ω, 385 Alpha @ 0°C
 NTC Thermistor, 10 or 20KΩ @ 25°C
 Accuracy **RTD Class A:** ±0.15°C @ 0°C
RTD 1/3 DIN: ±0.1°C @ 0°C
RTD 1/10 DIN: ±0.03°C @ 0°C
NTC Thermistor Type 39: ±0.05°C, 0-70°C
NTC Thermistor Type 40/46: ±0.1°C, 0-70°C
NTC Thermistor Type 55: ±0.03°C, 0-70°C
 Operating Conditions 0-50 °C (32-122 °F),
 0-95 %RH non-condensing
 Wiring Connections..... Screw terminal block (14 to 22 AWG)
 Sensor only - Pigtail, 2 or 3 wire
 Enclosure Wall mount enclosure,
 White ABS - IP30 (NEMA 1)
 84 w x 119 h x 29 d mm (3.3" x 4.7" x 1.15")

OPTIONS:

Override Switch

Switch Type..... Front panel, momentary pushbutton,
 N.O., SPST, 50 mA @12 Vdc

Fan Speed Switch

Range..... Off, Auto, Low, Medium, High
 Signal Resistance: 0, 2, 4, 6 and 8 KΩ
 standard (Custom ranges available)

Setpoint Slide Pot

Range..... Front panel pot as resistive output,
 0-10 KΩ standard
 Custom spans available .. 1K, 2K, 5K, 10K or 20K Ω

Occupied Input

Signal Type..... Digital input, 0/5 Vdc standard, active low
 Action Causes "OCC" segment to light on LCD

LED Input

Signal Type..... Active high, low or 2-wire,
 5 V current limit standard
 LED Colors..... Red, Green or Yellow
 Power Supply..... 5 Vdc standard, 10 Vdc or 24 Vdc optional

LCD Display

Power Supply..... 12-24 Vdc / 24 Vac ± 10%
 (non-isolated half-wave rectified)
 Consumption @ 24 Vdc ... 13 mA max (no backlight),
 23 mA max (with backlight)
 Protection Circuitry..... Reverse voltage protected
 Range..... 0.0-35.0 °C or 32.0-95.0 °F
 jumper selectable
 Resolution..... 0.1 °C/°F
 Display Size..... 38.1 w x 16.5 h mm(1.5" x 0.65")
 Digit Height 11.43 mm (0.45")
 Symbols °C, °F, OCC
 Backlight..... Enable or disable via jumper

PART NUMBER SELECTED

PRODUCT SELECTION INFORMATION:

MODEL	Product Description
HATSRC	High Accuracy Room Temperature Sensor

CODE	Sensor
18	1000 Ω Platinum, IEC 751, 385 Alpha, thin film, Class A
48	1000 Ω Platinum, IEC 751, 385 Alpha, thin film, 1/3 DIN
22	1000 Ω Platinum, IEC 751, 385 Alpha, thin film, 1/10 DIN
39	10,000 Ω, Type 2, NTC Thermistor, ±0.05 C
55	10,000 Ω, Type 2, NTC Thermistor, ±0.03 C
40	10,000 Ω, Type 3, NTC Thermistor, ±0.1 C
46	20,000 Ω, NTC Thermistor, ±0.1 C

CODE	Options (Multiple selections can be made)
P	0-10K linear slide pot for set point control
S	Exposed push button momentary switch - N.O.
C	3-digit LCD temperature indicator °C / °F selectable
F	Fan speed switch (Auto, Off, Low, Mid, High)
Y	Yellow LED (n/a if AC option selected)
R	Red LED (n/a if AC option selected)
G	Green LED (n/a if AC option selected)
E	External jack for remote system access (4-pin header)

Greystone Energy Systems, Inc. reserves the right to make design modifications without prior notice.

Due to the many possible configurations, special part numbers may be required. Please contact Greystone for more information

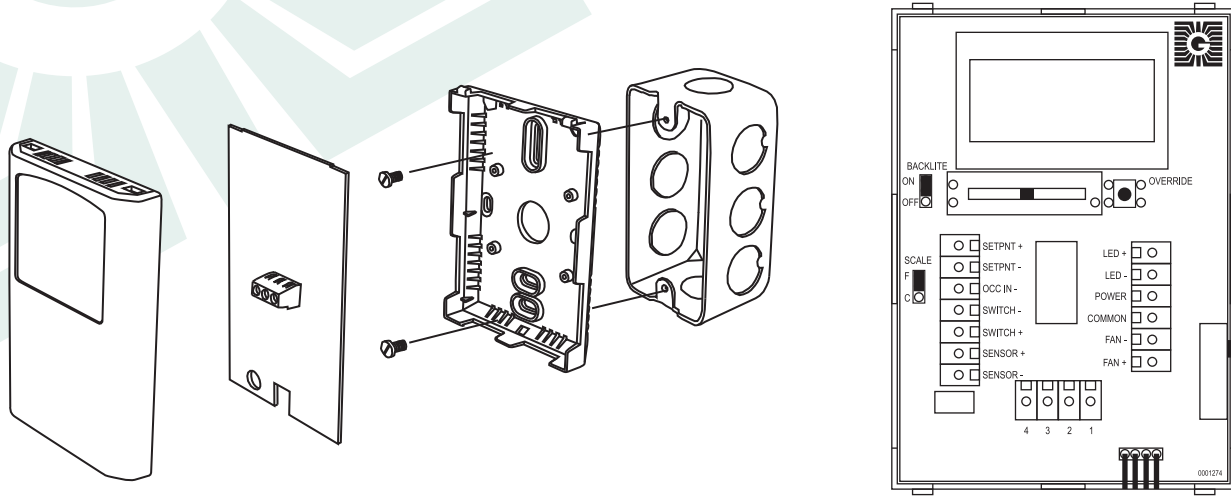
HATSRC** Description:**

TYPICAL INSTALLATION:

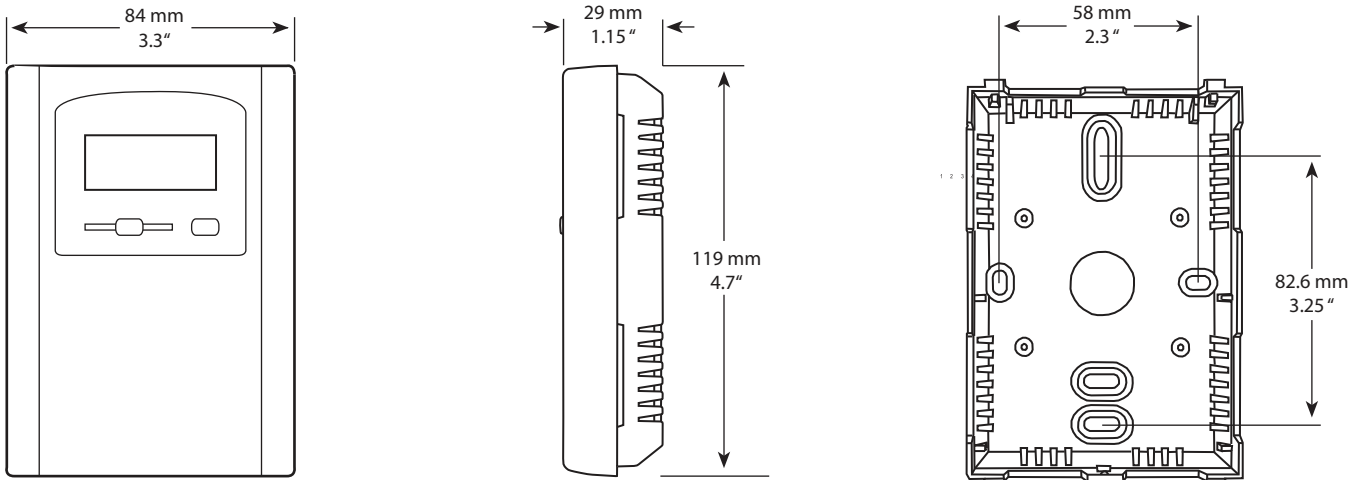
For complete installation and wiring details, please refer to the product installation instructions.

The HATSRC series can be mounted directly to a single gang electrical box or directly to a wall. Insulating foam is adhered to the back of the enclosure to provide a thermal barrier from internal wall temperatures.

For sensor only models a 2 wire or 3 wire pigtail is used for connection to the Building Automation System. In models with options such as setpoint adjustment or manual override, a terminal block connection is provided.



DIMENSIONS:



Greystone Energy Systems, Inc. reserves the right to make design modifications without prior notice.



GREYSTONE
ENERGY SYSTEMS INC

Greystone Energy Systems, Inc.
150 English Drive, Moncton,
New Brunswick, Canada E1E 4G7
(506) 853-3057 Fax: (506) 853-6014
North America: 1-800-561-5611
e-mail: mail@greystoneenergy.com
www.greystoneenergy.com

RoHS
COMPLIANT



Greystone Energy Systems Inc. is one of North America's largest ISO registered manufacturers of HVAC/R sensors and transmitters for Building Automation Management Systems.

We have conscientiously established a worldwide reputation as an industry leader by maintaining leading-edge design technology, prompt technical support, and a commitment to on-time deliveries. We take pride in our Quality Management System which is ISO 9001 certified, assuring our customers of consistent product reliability.